

# SALES & ENGINEERING DATA

RATIO SERIES: **1:1**

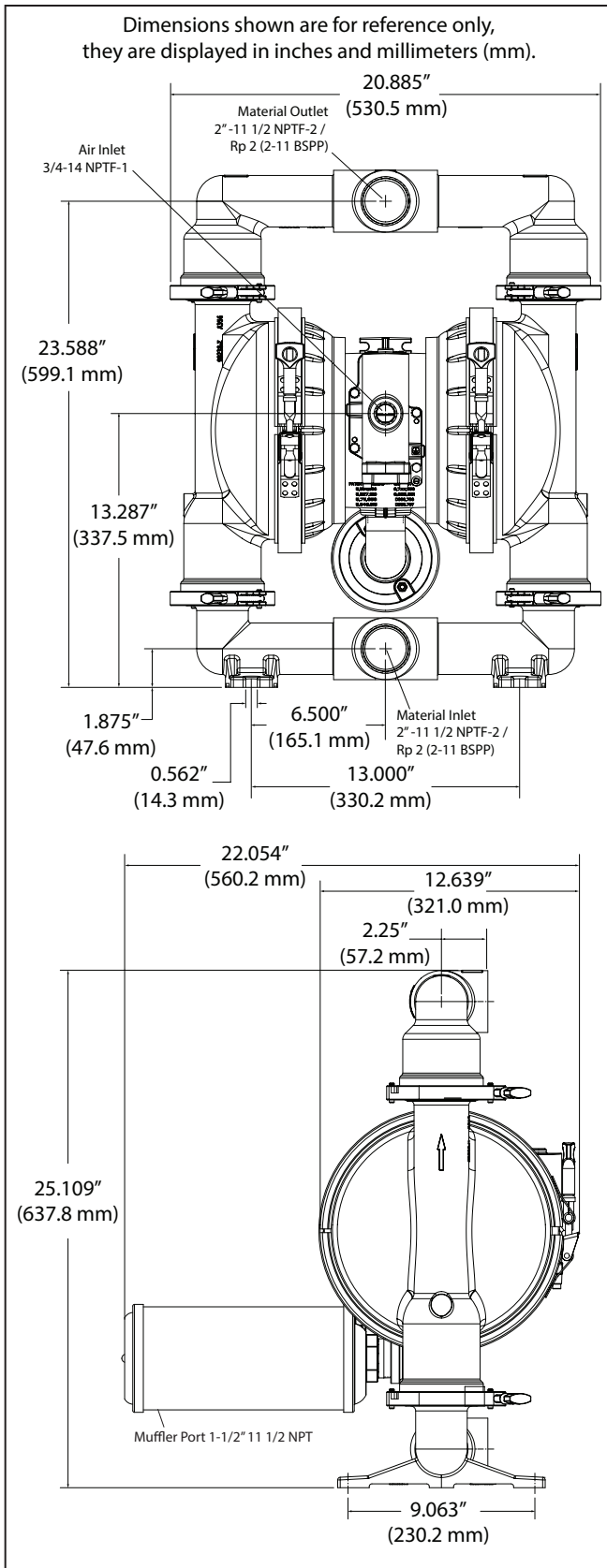
FLUID PSIG RANGE: **20 - 120**

## BD20X-XXX-XXX-AXX 2" BAND CLAMP DIAPHRAGM PUMP

RELEASED: 1-11-21  
REVISED: 7-30-21  
(REV: B) S-1627

### DIMENSIONAL DATA

Dimensions shown are for reference only, they are displayed in inches and millimeters (mm).



### SPECIFICATIONS

**Model Series** ..... BD20X-XXX-XXX-AXX  
**Pump Type** ..... Metallic, air operated, double diaphragm pump  
**Ratio** ..... 1:1  
**Weight**  
 BD20A-XAX-XXX-AXX ..... 75 lbs (34 kgs)  
**Fluid Section Service Kit** ..... 637494-XX  
**Air Section Service Kit** ..... 637421  
**Major Air Valve**  
**Assembly Service Kit** ..... 637374-X

**BD20X-XXX-XXX-AXX**  
 Example: Models BD20A-AAS-S A M-A 637494 -~~XX~~  
 Fluid Section Service Kit # 637494-AM Ball-J L-Diaphragm

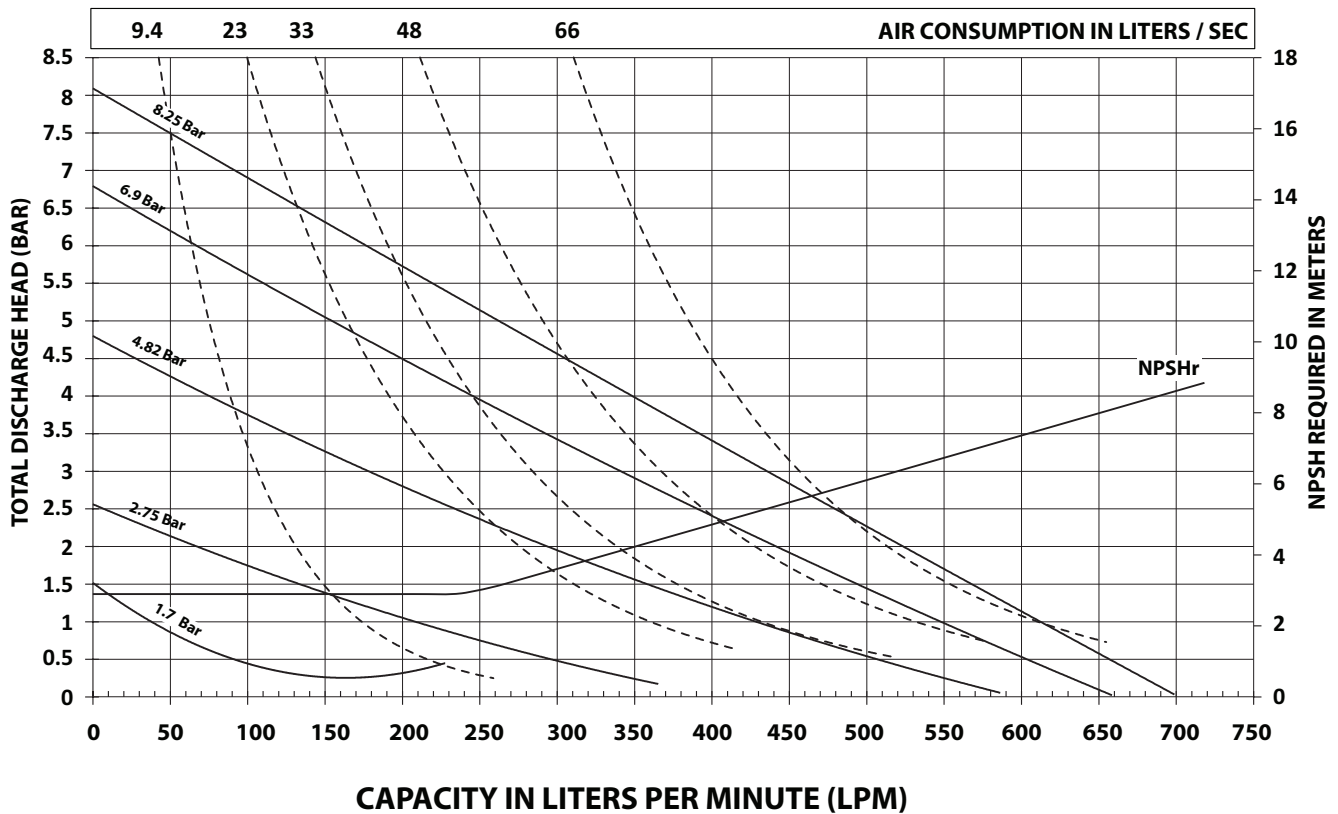
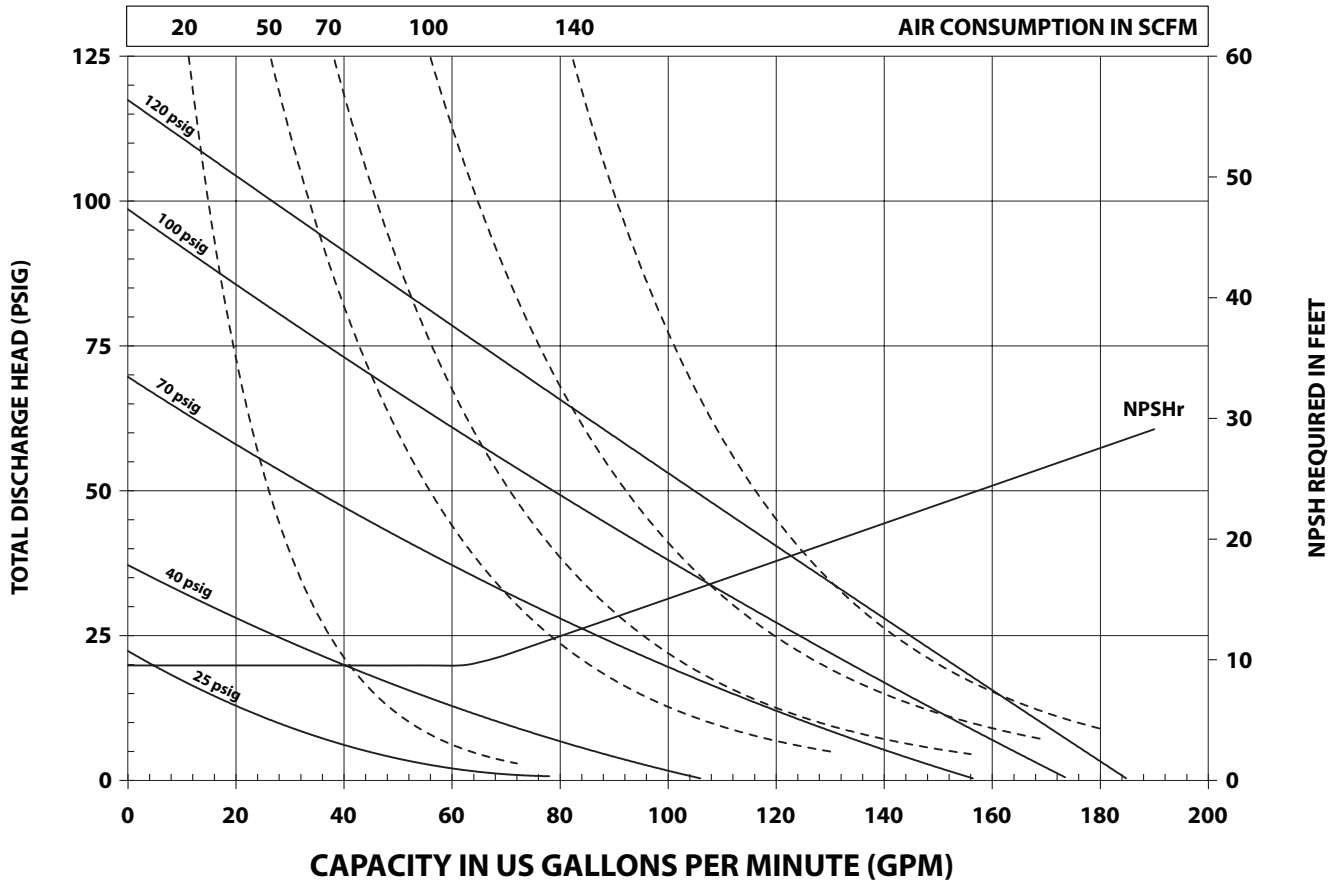
### PERFORMANCE

**Maximum Air Inlet Pressure** ..... 120 psig (8.3 bar)  
**Maximum Material Inlet Pressure** .. 10 psig (0.69 bar)  
**Maximum Outlet Pressure** ..... 120 psig (8.3 bar)  
**Maximum Flow Rate** ..... 185 gpm (700 lpm)  
**Maximum Suction Lift (Dry Inlet) 18 ft (5.4 m) water**  
 (Tested using BD20A-AAS-CCA)  
**Maximum Suction Lift (Flooded Inlet) 31 ft (9.4 m) water**  
 (Tested using BD20A-AAS-AAA)  
**Displacement / Cycle @ 100 psig** .... 1.4 gal. (5.3 lit.)  
**Maximum Particle Size** ..... 1/4" dia. (6.4 mm)  
**Maximum Temperature Limits (Diaphragm / Ball / Seal / Seat material)**  
 E.P.R / EPDM ..... -60° to 280° F (-51° to 138° C)  
 Hytrel® ..... -20° to 180° F (-29° to 82° C)  
 Santoprene® ..... -40° to 225° F (-40° to 107° C)  
 PTFE ..... 40° to 225° F (4° to 107° C)  
 Viton® ..... -40° to 350° F (-40° to 177° C)  
**Noise Level @ 70 psig, 60 cpm** ..... 85.0 dB(A)<sup>①</sup>

① The pump sound pressure level has been updated to an Equivalent Continuous Sound Level (L<sub>Aeq</sub>) to meet the intent of ANSI S1.13-1971, CAGI-PNEUROPS S5.1 using four microphone locations.

## PERFORMANCE CURVES

### BD20X-XXX-XXX-AXX PUMP 2" BAND CLAMP DIAPHRAGM PUMP



Performance based on an Santoprene fitted pump, flooded suction with water at ambient conditions.  
 Due to varying materials of construction, assembly configurations and operating conditions, published data is for reference only