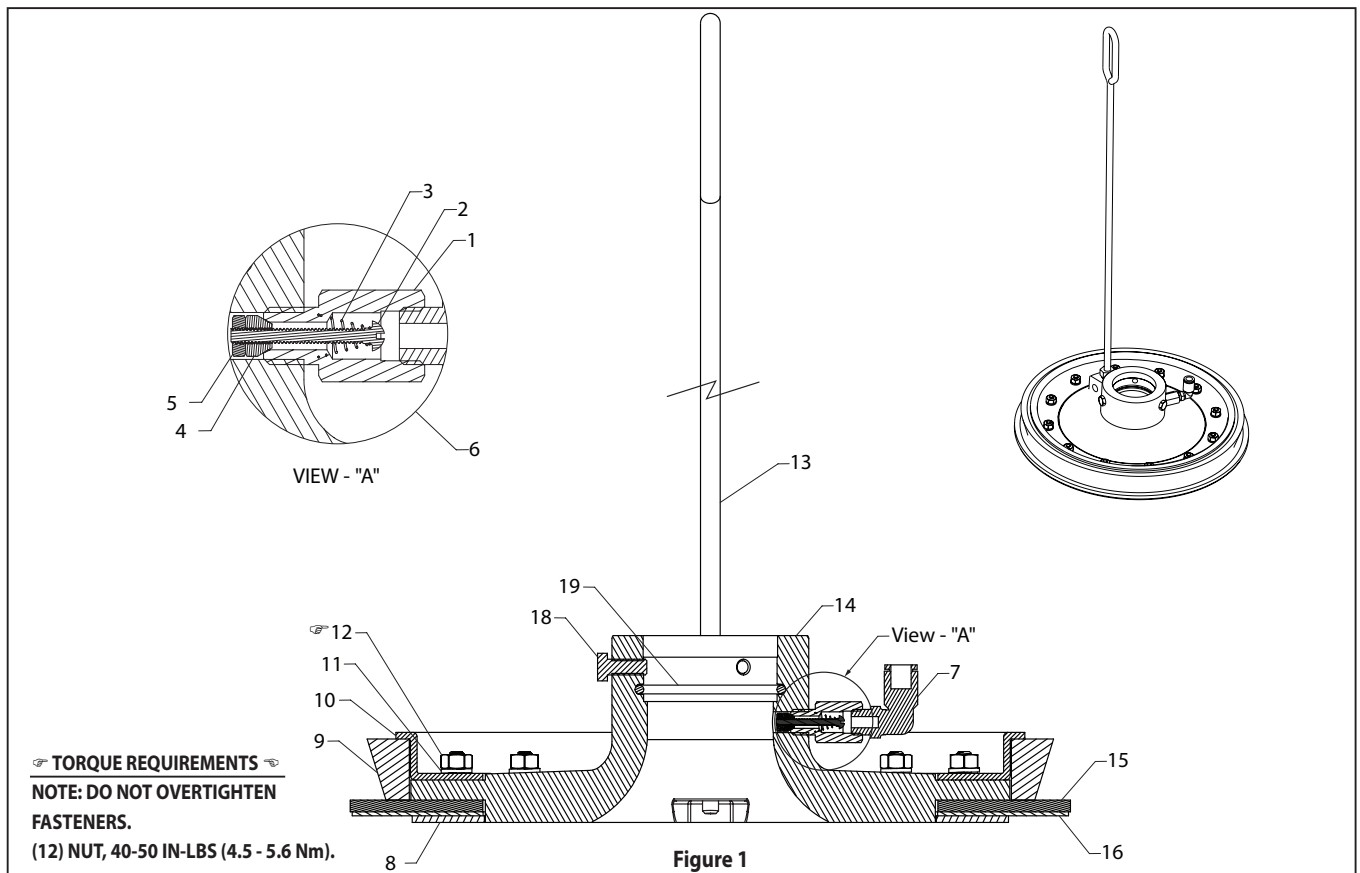


RELEASED: 9-8-17
 REVISED: 3-13-20
 (REV: D)

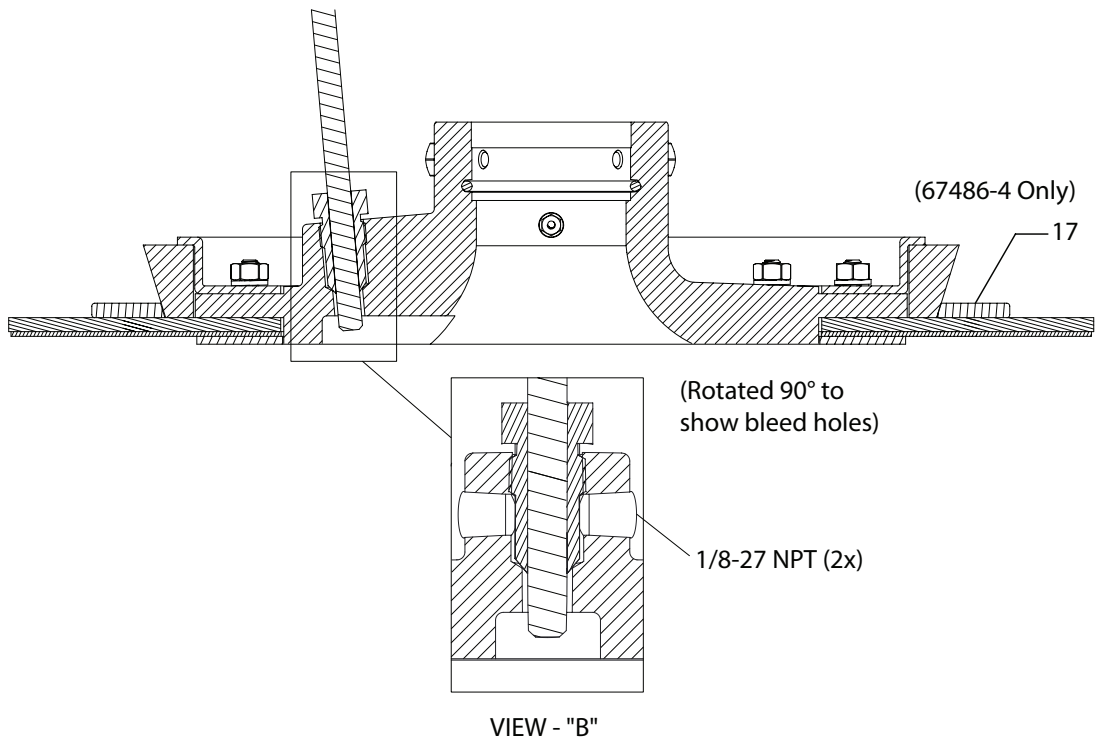
67486-X Carbon Steel Follower Assembly "C" Footprint (Slip Fit Pump Connection)



Item	Description (size)	(Qty)	Part No.	Mtl
1	Check Valve Body (1/8 - 27 NPTF - 1)	(1)	93987	[SS]
2	Machine Screw (#4 - 40 x 1")	(1)	Y8-251-S	[SS]
3	Spring	(1)	93989	[SS]
4	Valve Nut	(1)	93986	[T]
5	Nut (#4 - 40)	(1)	Y22-4-S	[SS]
6	Valve Assembly (includes items 1 - 5)	(1)	67130	
7	Male Elbow (1/8 - 27 NPT x 5/16" OD tube)	(1)	59756-58	
8	Base Plate with 1/4 - 20 Studs	(1)	97740	[SS]
9	Modular Backup Ring	(1)	97696	[U]
10	Retaining Ring	(1)	97697	[SS]
11	Lock Washer	(12)	Y14-416-T	[SS]
12	Nut (1/4 - 20)	(12)	Y12-4-S	[SS]

Item	Description (size)	(Qty)	Part No.	Mtl
13	Vent Plug	(1)	97702	[SS]
14	Adapter	(1)	97691	[DI]
15	Primary Wiper Seal (models 67486-1)	(1)	93994-1	[U]
	(models 67486-2)	(1)	97742	[B]
	(models 67486-3)	(1)	95021	[B]
	(models 67486-4)	(1)	96257-1	[U]
16	Secondary Wiper Seal (models 67486-1)	(1)	91086	[Pe]
	(models 67486-2)	(1)	91086	[Pe]
	models 67486-3)	(1)	97743	[Pe]
	(models 67486-4)	(1)	96142	[Pe]
17	Backup Ring 120 lbs (models 67486-4)	(1)	97744	[SS]
18	Cap Screw (1/4 - 20 x 3/4")	(3)	Y6-43-T	[SS]
19	O-Ring	(1)	Y325-227	[B]

MATERIAL CODE		
[B] = Nitrile	[DI] = Ductile Iron	[SS] = Stainless Steel
[C] = Carbon Steel	[Pe] = Polyethylene	[U] = Polyurethane
[D] = Acetal	[T] = PTFE	



Primary Seal Descriptions (Item15):

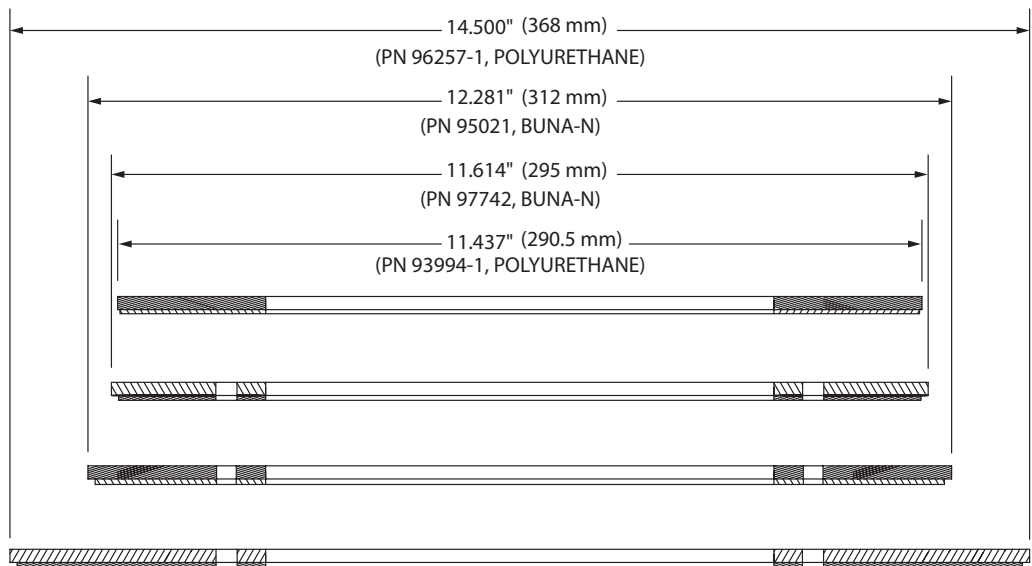
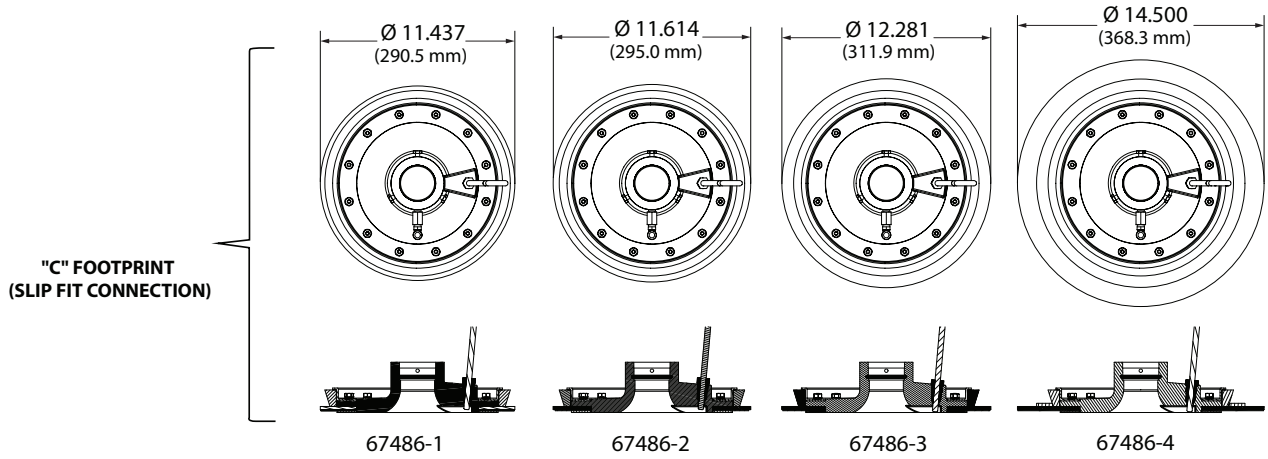


Figure 2

MODEL DESCRIPTION / FOLLOWER PLATE OPTIONS

Pump Size	Follower Plate Material	Seal Type	Seal Material	Seal Diameter	Follower Asm.
Slip-On "C"	Carbon Steel, Electroless Nickel Coating	Single Lip	Nitrile/Polyethylene	11.614" (295.0 mm)	67486-2
			Polyurethane/Polyethylene	11.437" (290.5 mm)	67486-1
			Nitrile/Polyethylene	12.281" (311.9 mm)	67486-3
			Polyurethane/Polyethylene	14.500" (368.3 mm)	67486-4

FOLLOWER PLATES



Note: PN 67486-4 is only configurable for use with RM072S-XXX-XX ram assembly

Figure 3

MODULAR BACKUP RING

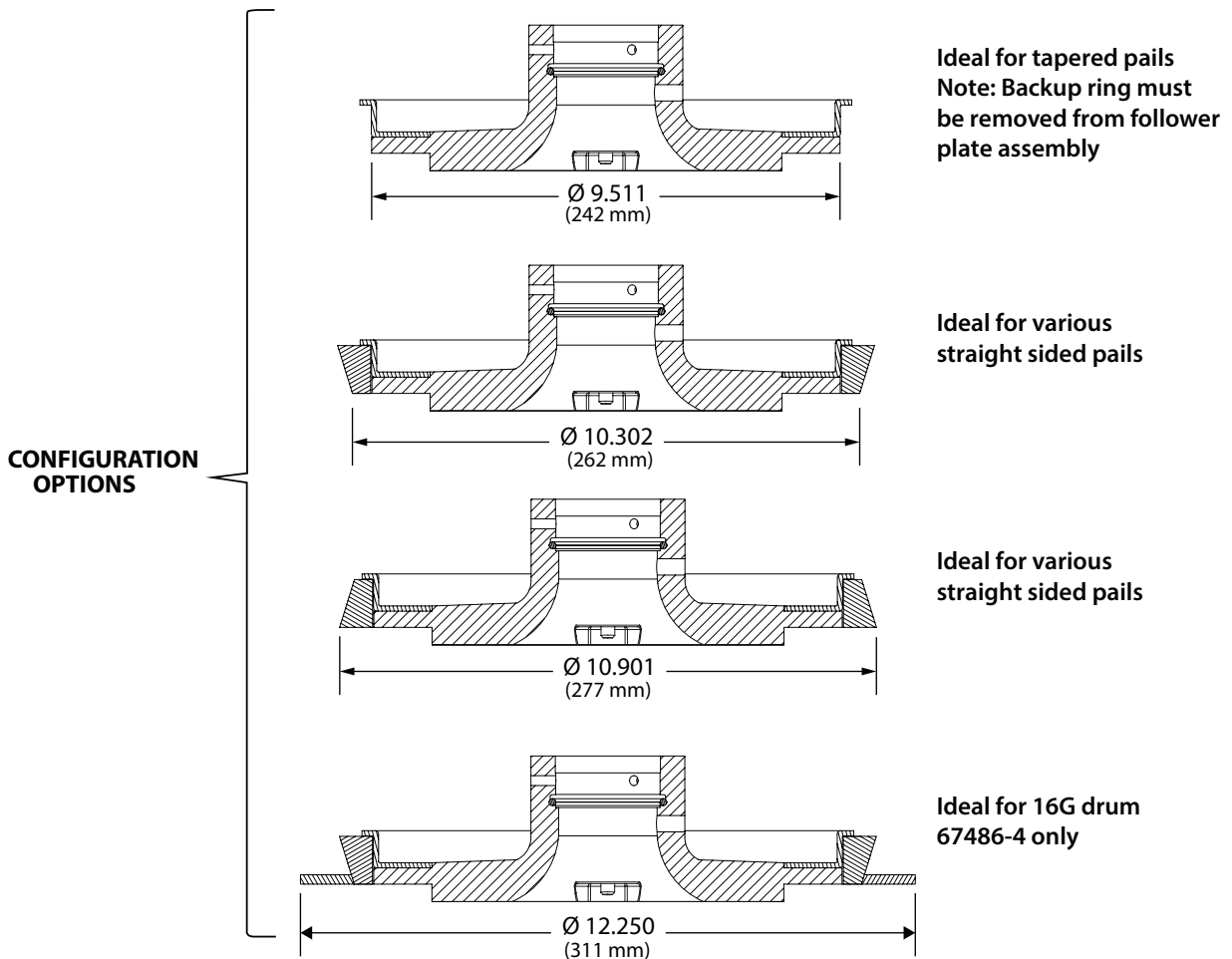


Figure 4

