



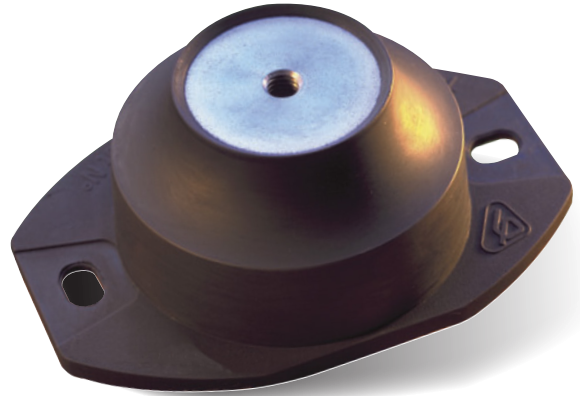
# ARO® Vibration Isolators

**Protect your pump installation by reducing vibration.**

ARO® Vibration Isolators are used for an efficient reduction of mechanical vibration and stress in the mounting system of an air operated diaphragm pump. They are recommended to be used with flexible fluid pipe connectors to isolate the impact of the pump vibration to fixed pipes.

- ▀ Reduces up to 96% of vibration transmitted through the mount\*
- ▀ A set of 4 vibration isolators and mounting hardware are included

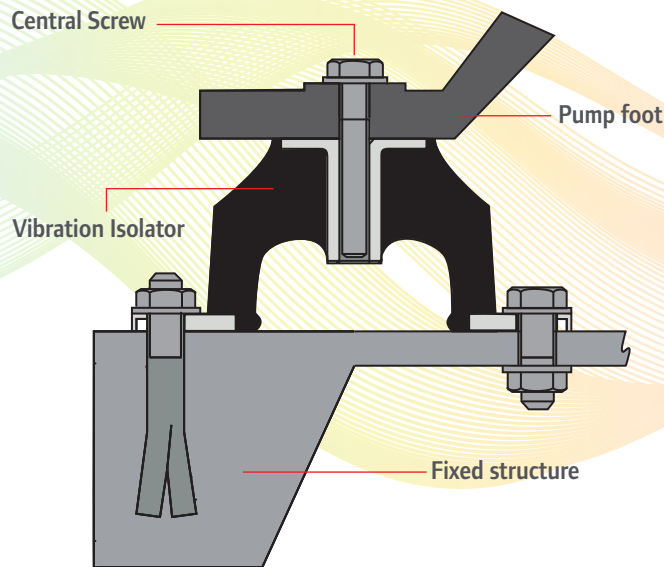
*\* reduction in vibration is based on internal test results and individual results may vary.*



ARO Vibration Isolator

Port size	Polypropylene	Aluminum	PVDF	Stainless Steel
1"	HSK-20	HSK-20	HSK-40	HSK-40
1.5"	HSK-40	HSK-40	HSK-40	HSK-70
2"	HSK-110	HSK-110	HSK-110	HSK-160
3"	-	HSK-160	-	HSK-160

Port size	Steel	Aluminum	Non-metallic
1"	HSK-20	HSK-20	HSK-20
1.5"	HSK-70	HSK-40	HSK-70
2"	HSK-160	HSK-110	HSK-70
3"	HSK-160	HSK-160	-



Contact your ARO® representative for additional information.