

# SALES & ENGINEERING DATA

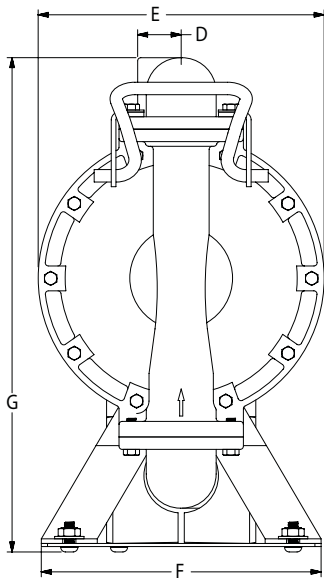
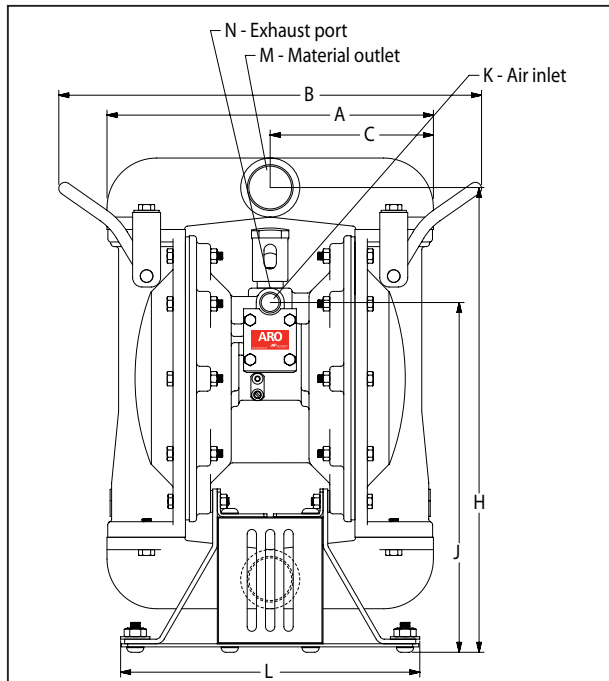
RATIO SERIES: **1:1**

FLUID P.S.I. RANGE: **10 - 120**

## 66M1X0-XXX-C 1-1/2" Metallic Diaphragm Pump

RELEASED: 12-6-08  
REVISED: 6-7-10  
(REV. 03) S-1465

### DIMENSIONAL DATA



#### DIMENSIONS

A - 13-1/8" (333.3 mm)	F - 11-1/4" (285.8 mm)	L - 12-1/32" (305.5 mm)
B - 17-3/32" (433.7 mm)	G - 19-15/16" (506.2 mm)	M - see below
C - 6-9/16" (166.7 mm)	H - 18-11/16" (296.8 mm)	N - 3/4 - 14 NPTF - 1
D - 1-3/4" (44.5 mm)	J - 14-1/16" (357.2 mm)	
E - 11-1/2" (292.1 mm)	K - 1/2 - 14 NPTF - 1	

"M" Inlet / Outlet  
66M150-XXX-C 1-1/2 - 11-1/2 NPTF - 1  
66M170-XXX-C Rp 1-1/2 (1-1/2 - 11 BSP, parallel)

NOTE: Dimensions are shown in inches and (mm) and are supplied for reference only.

### SPECIFICATIONS

Model Series	66M1X0-XXX-C
Pump Type	Metallic, air operated, double diaphragm pump
Ratio	1:1
Material Inlet / Outlet (female)	
66M150-XXX-C	1-1/2 - 11-1/2 NPTF - 1
66M170-XXX-C	Rp 1-1/2 (1-1/2 - 11 BSP parallel)
Air Inlet (female)	1/2 - 14 NPTF - 1
Air Exhaust (female)	3/4 - 14 NPTF - 1
Weight	55.53 lbs (25.19 kgs)
Air Section Service Kit	637118-C
Fluid Section Service Kit	637469-XX

#### 66M1X0 - X XX - C

637469 - XX

Diaphragm Material  
Ball Material

EXAMPLE: Model #66M150-1EB-C  
Fluid Section Service Kit # 637469-EB

### PERFORMANCE

Air Inlet Pressure Range	10 - 120 p.s.i.g. (0 - 8.3 bar)
Maximum Material Inlet Pressure	10 p.s.i.g. (0.69 bar)
Fluid Pressure Range	10 - 120 p.s.i.g. (0 - 8.3 bar)
Maximum Flow Rate (flooded inlet)	80 g.p.m. (302.8 l.p.m.)
Displacement / Cycle @ 100 p.s.i.	0.46 gal. (1.74 lit.)
Maximum Particle Size	1/2" (12.7 mm)
Maximum Temperature Limits (diaphragm / ball / seal / seat material)	
E.P.R. / EPDM	-60° to 280° F (-51° to 138° C)
Hytrel®	-20° to 150° F (-29° to 66° C)
Nitrile	10° to 180° F (-12° to 82° C)
Santoprene®	-40° to 225° F (-40° to 107° C)
PTFE	40° to 225° F (4° to 107° C)
Viton®	-40° to 350° F (-40° to 177° C)
Noise Level @ 70 p.s.i. - 60 c.p.m. ①	77.7 db(A)②
Noise Level @ 70 p.s.i. - 60 c.p.m. ③	107.0 db(A)②

① Tested with 93139 muffler assembly installed.

② The pump sound pressure level has been updated to an Equivalent Continuous Sound Level (LAeq) to meet the intent of ANSI S1.13-1971, CAGI-PNEUROP S5.1 using four microphone locations.

③ Tested with 97117 housing and 97114 ball installed.

### INGERSOLL RAND COMPANY LTD

209 NORTH MAIN STREET - BRYAN, OHIO 43506

☎ (800) 495-0276 • FAX(800) 892-6276

© 2010

CCN 15325392

www.ingersollrandproducts.com

# ARO

**IR** Ingersoll Rand  
Industrial Technologies

# PERFORMANCE CURVES

## 66M1X0-XXX-C 1-1/2", METALLIC DIAPHRAGM PUMP

