

SALES & ENGINEERING DATA

RATIO SERIES: **4:1**

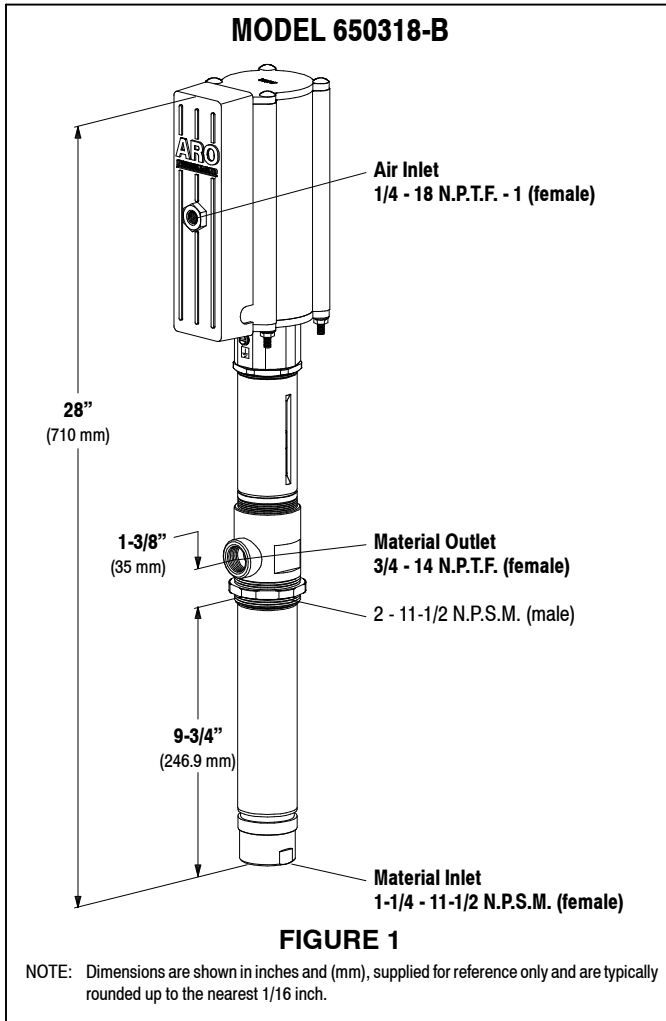
FLUID PSIG RANGE: **0 - 600**

650318-B

STAINLESS STEEL PUMP

RELEASED: 3-17-00
 REVISED: 5-20-14
 (REV. D) S-1139

DIMENSIONAL DATA



SPECIFICATIONS

Model Series	650318-B
Pump Type	Air Operated, Ball Check, Stainless Steel Pump
Ratio	4:1
Air Motor	66913
Air Motor Repair Kit	637316
Air Motor Diameter	3" (7.62 cm)
Stroke	3" (7.62 cm)
Air Inlet	1/4 - 18 NPTF - 1 (female)
Lower Pump End Series	60834
Lower Pump Repair Kit	637331
Material Inlet	1-1/4 - 11-1/2 NPSM (female)
Material Outlet	3/4 - 14 NPTF - 1 (female)

MATERIALS OF CONSTRUCTION

Outlet Body	316 Stainless Steel
Cylinder	316 Stainless Steel
Plunger	316 Stainless Steel
Upper Packing	EPR / PTFE staggered
Lower Packing	EPR
Lower Ball	316 Stainless Steel
Inlet Body	316 Stainless Steel

PERFORMANCE

Air Inlet Pressure Range	0 - 150 psig (0 - 10.3 bar)
Fluid Pressure Range	0 - 600 psig (0 - 41.4 bar)
Maximum Rec'd Cycles / Minute	120
Maximum Working Flow Rate	4.26 gpm (16.12 lpm)
Displacement / Cycle @ 100 psig	8.2 in. ³ (134.3 ml)
Cycles Per Gallon	28
Noise Level @ 100 psig	85 dB(A) ^①

① The pump sound pressure level has been updated to an Equivalent Continuous Sound Level (L_{Aeq}) to meet the intent of ANSI S1.13-1971, CAGI-PNEUROP S5.1 using four microphone locations.

ACCESSORIES:

- 61113 Wall Mount Bracket
- 66073-1 Air Line Connection Kit

PERFORMANCE CURVES

