



15301971  
Edition 4  
October 2010

# Piggyback Assembly

3000 Series

---

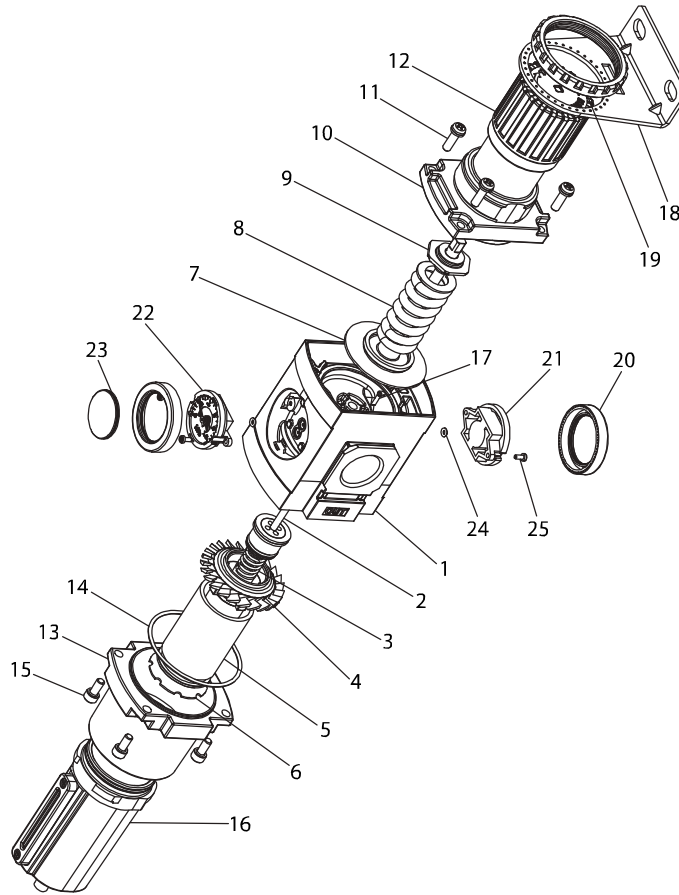
## Parts Information



Save These Instructions

 **Ingersoll Rand**

## Piggyback Assembly 3000 Series P394XX-XXX Exploded Diagram



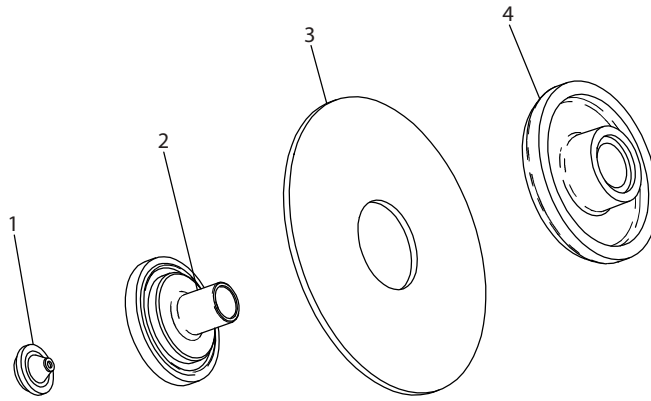
(Dwg. 15322019)

## Piggyback Assembly 3000 Series P394XX-XXX Parts List

Item	Part Description	Material	Part Number	Item	Part Description	Material	Part Number
1	Piggyback Body	Aluminum	---	14	Coupler "O" Ring	Nitrile	---
	3/4" NPT (P3945X-XXX)			15	Coupler Screw	Steel	---
	1" NPT (P3946X-XXX)			16	Metal Bowl Assembly		
	3/4" BSP (P394EX-XXX)			Manual Drain (P394XX-X20)	---	104322	
	1" BSP (P394FX-XXX)			Auto Drain (P394XX-X24)	---	104323	
2	P-Valve Stem Assembly	---	---	17	Static Pressure Tube	Acetal	---
3	R-Valve Spring	Stainless Steel	---	18	L-Bracket	Steel	104406
4	Deflector	Nylon	---	19	Panel Mount Nut	Acetal	104419
5	Filter Element	Polyethylene	---	20	Cover Ring	Nylon	---
	5 Micron (P394X4-XXX)			104445	21		Block Cover
	40 Micron (N/A)	104446	---	22	Flush Type Gauge	---	104334
6	Baffle	ABS	---	23	Gauge Cover		
7	Diaphragm Assembly	---	---	24	Gauge "O" Ring	Nitrile	---
8	Adjusting Spring	Steel	---	25	Gauge Plate Bolt	Steel	---
	0-30 psi (P394XX-4XX)			104534	Auto Drain	---	104315
	0-50 psi (P394XX-2XX)			104456	Service Kit (Relieving: includes items 2, 3 and 7)	---	104541
	5-125 psi (P394XX-1XX, P394X-6XX)			104457	Service Kit (Non-Relieving: includes items 2, 3 and 7)	---	104280
	10-250 psi (P394XX-3XX)	104458	---	Tamper Kit	---	104455	
9	Adjusting Assembly	---	---				
10	Bonnet	Aluminum	---				
11	Bonnet Screw	Steel	---				
12	Handle	Acetal	---				
13	Coupler	Aluminum	---				

---

## Diaphragm Assembly 3000 Series P394XX-XXX Exploded Diagram



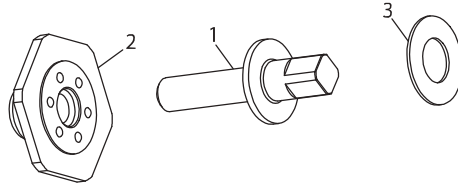
(Dwg. 15322043)

---

## Diaphragm Assembly 3000 Series P394XX-XXX Parts List

Item	Part Description	Material	Part Number
1	Relief Valve Seat	Nitrile	---
2	Relief Valve	Zinc	---
3	Diaphragm	Nitrile+Nylon	---
4	Diaphragm Shell	Aluminum	---

## Adjusting Assembly 3000 Series P394XX-XXX Exploded Diagram

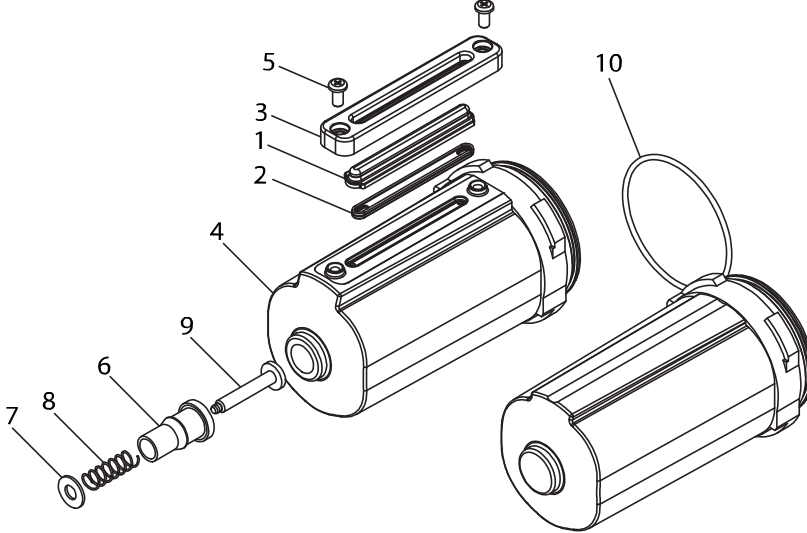


(Dwg. 15322068)

## Adjusting Assembly 3000 Series P394XX-XXX Parts List

Item	Part Description	Material	Part Number
1	Adjusting Bolt	Steel	---
2	Adjusting Nut		---
3	Lining	PTFE	---

## Metal Bowl Assembly 3000 Series P394XX-XXX Exploded Diagram



(Dwg. 15322035)

## Metal Bowl Assembly 3000 Series P394XX-XXX Parts List

Item	Part Description	Material	Part Number
1	Sight Glass	Nylon	---
2	Sight Glass Gasket	Nitrile	---
3	Sight Cover	Aluminum	---
4	Metal Bowl		---
5	Bolt	Steel	---
6	Drain Housing	Nitrile	104316
7	Retainer	Stainless Steel	
8	Drain Spring		
9	Drain Stem	Brass	---
10	Bowl "O" Ring	Nitrile	---
	Service Kit (Includes Items 6, 7, 8, 9, 10 and Coupler O-Ring)	---	104452

## Parts and Maintenance

When the life of the tool has expired, it is recommended that the tool be disassembled, degreased and parts be separated by material so that they can be recycled.

Tool repair and maintenance should only be carried out by an authorized Service Center.

Refer all communications to the nearest **Ingersoll Rand** Office or Distributor.

## Related Documentation

For additional information refer to:

Product Safety Information Manual 15301765.

Product Information Manual 15301773.

Maintenance Information Manual 15301781.

Manuals can be downloaded from [fluids.ingersollrand.com](http://fluids.ingersollrand.com).

Part No. 100400-74

[www.ingersollrandproducts.com](http://www.ingersollrandproducts.com)

© 2010 **Ingersoll Rand** Company

