

SALES & ENGINEERING DATA

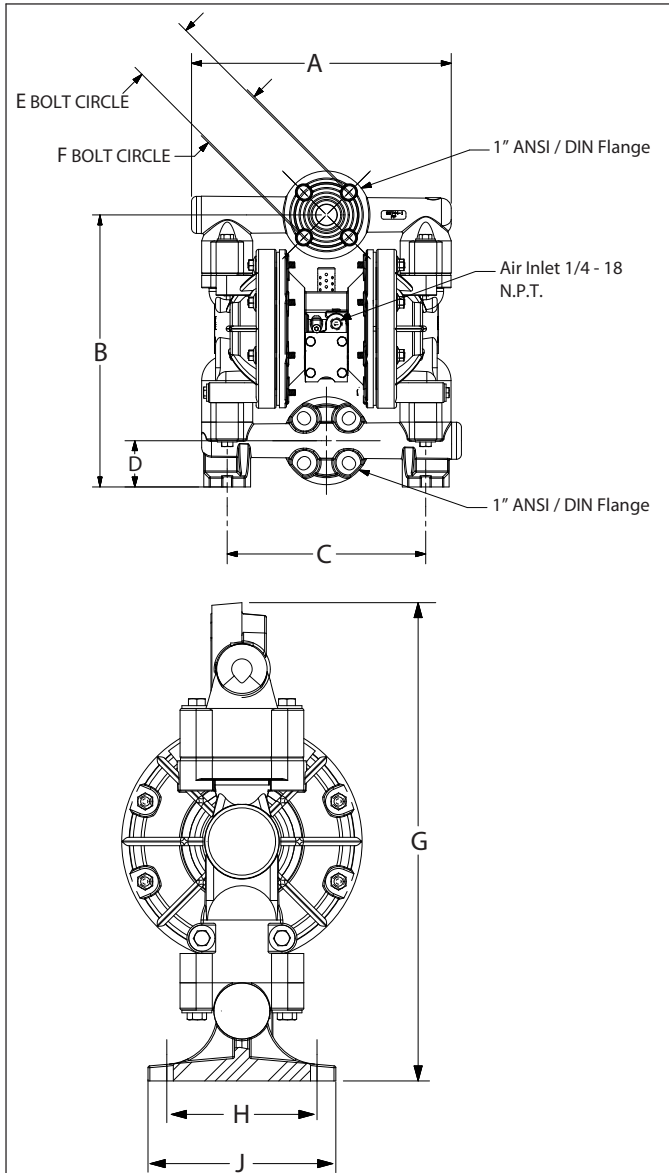
RATIO SERIES: **1:1**

FLUID P.S.I. RANGE: **20 - 120**

6661AX-XXX-C THRU 6661BX-XXX-C 1" NON-METALLIC DIAPHRAGM PUMP

RELEASED: 1-31-97
REVISED: 9-23-15
REV: F S-873

DIMENSIONAL DATA



DIMENSIONS

A 13-3/16" (334 mm)	E 3-2/16" to 3-5/16" (80 to 83 mm)	
B 13-13/16" (351 mm)	F 8-1/16" (204 mm)	
C 10-1/16" (255 mm)	G 16" (406 mm)	
D 2-3/8" (60 mm)	H 16" (406 mm)	J 6-5/16" (160 mm)

NOTE: Dimensions are shown in inches and (mm), supplied for reference only and are typically rounded up to the nearest 1/16 inch.

FLANGES ARE SLOTTED FOR USE WITH EITHER 1" ANSI OR 1" DIN FLANGES

SPECIFICATIONS

CONSTRUCTION

Model Series	6661AX-XXX-C thru 6661BX-XXX-C
Pump Type	Non-Metallic, Air Operated, Double Diaphragm
Ratio	1:1
Material Inlet / Outlet	1" Flange, ANSI Class 150/DIN
Air Inlet (female)	1/4 - 18 N.P.T.
Air Exhaust (female)	3/8 - 18 N.P.T.F. - 1
Weight	6661A3-3XX-C 20.25 lbs (9.2 kgs) 6661A4-4XX-C 28.5 lbs (12.9 kgs) 6661B3-3XX-C 28.8 lbs (13.06 kgs) 6661B4-4XX-C 37 lbs (16.78 kgs)
Air Section Service Kit	637118-C
Fluid Section Service Kit	637161-XX-C
Composite PTFE Diaphragm Kit	48495964

6661AX - X - C
637161 - - C
Diaphragm Material
Ball Material

EXAMPLE: Model 6661A3-311-C
Fluid Section Service Kit is 637161-11-C

PERFORMANCE

Air Inlet Pressure Range	20 - 120 p.s.i. (1 - 8.3 bar)
Maximum Material Inlet Pressure	10 p.s.i. (0.69 bar)
Fluid Pressure Range	20 - 120 p.s.i. (1 - 8.3 bar)
Maximum Flow Rate (flooded inlet)	47 g.p.m. (178 l.p.m.)
Maximum Particle Size	1/8" dia. (3.2 mm)
Maximum Temperature Limits	
Polypropylene	35° to 175° F (-2° to 79° C)
Kynar (PVDF)	10° to 200° F (-12° to 93° C)
Composite PTFE	14° to 194° F (-10° to 90° C)
Displacement / Cycle @ 100 p.s.i.	0.17 gal. (.64 lit.)
Noise Level @ 70 p.s.i. - 60 c.p.m. ^①	64.5 dB(A) ^②

① Tested with muffler installed.

② The pump sound pressure level has been updated to an Equivalent Continuous Sound Level (L_{Aeq}) to meet the intent of ANSI S1. 13-1971, CAGI-PNEUROP S5.1 using four microphone locations.

ACCESSORIES:

- 65010 Neoprene "O" Ring Air Motor Kit
- 65764 Viton "O" Ring Air Motor Kit
- 66073-1 Air Line Kit
- 67078 Flange Kit

PERFORMANCE CURVES

6661XX-XXX-C 1" NON-METALLIC DIAPHRAGM PUMP

