

INCLUDE OPERATOR'S MANUAL: 66610X-X-C (1" DIAPHRAGM PUMP).

RELEASED: 6-2-92  
 REVISED: 12-14-18  
 (REV: G)

## SPECIAL 1" DIAPHRAGM PUMPS BSP THREADS - (650750 WITH VITON DIAPHRAGMS) (650750-1 WITH PTFE / SANTOPRENE DIAPHRAGMS)

Models 650750 and 650750-1 are similar to standard models in the 1" metallic diaphragm pump family. A 66610X-X-C Operator's Manual should be used for General Information, Installation, Operation and Maintenance.

These special pumps have Cast Iron center bodies, Stainless Steel manifolds and fluid caps, Stainless Steel seats and PTFE balls. Refer to the views for the substituted parts.

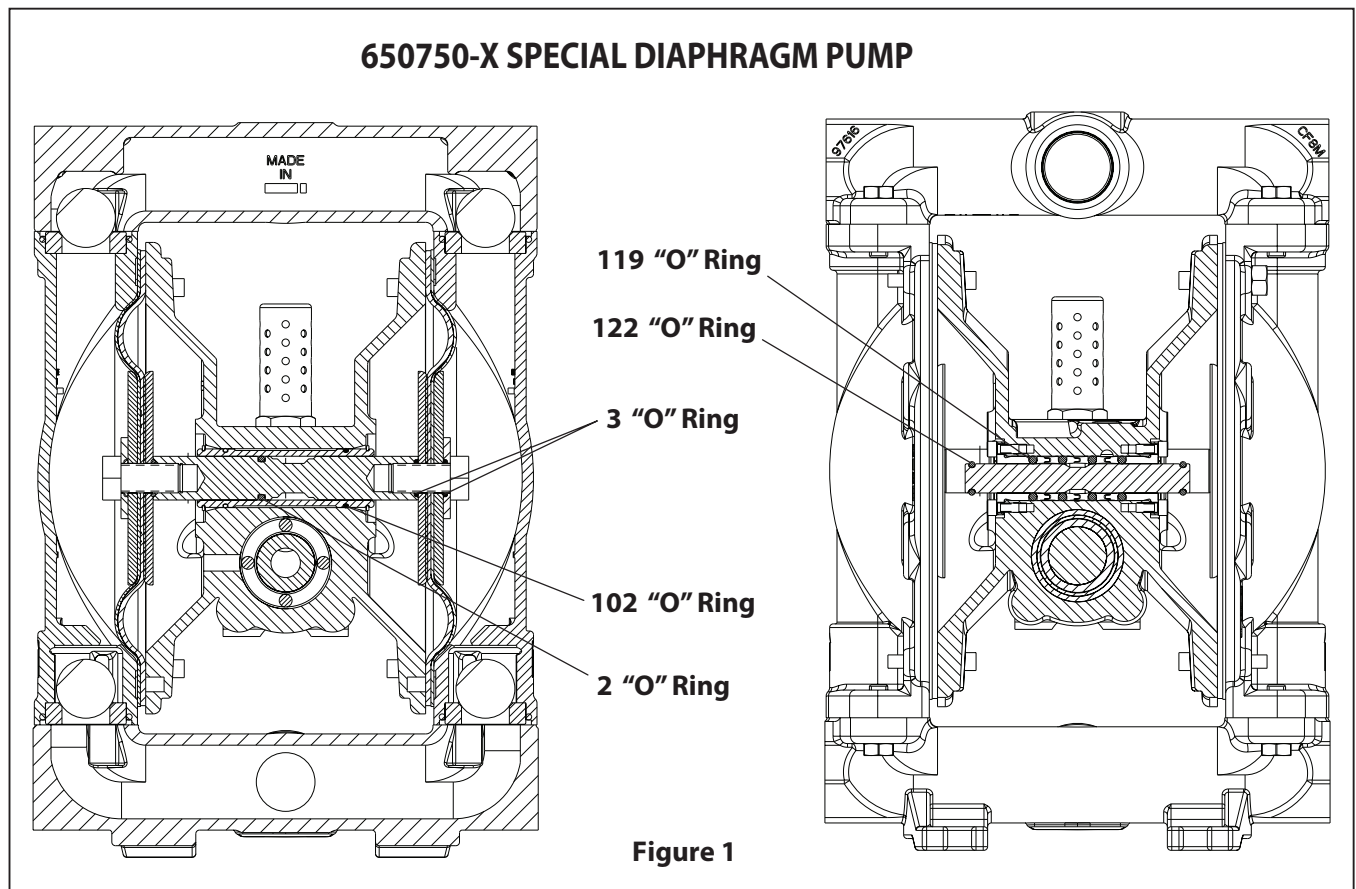
**650750 is similar to model 666131-243-C.**

**650750-1 is similar to model 666131-244-C.**

SERVICE KITS		
Model Number	Air Section Kit ☆	Fluid Section Kit
650750	65764	65765
650750-1	65010	65767

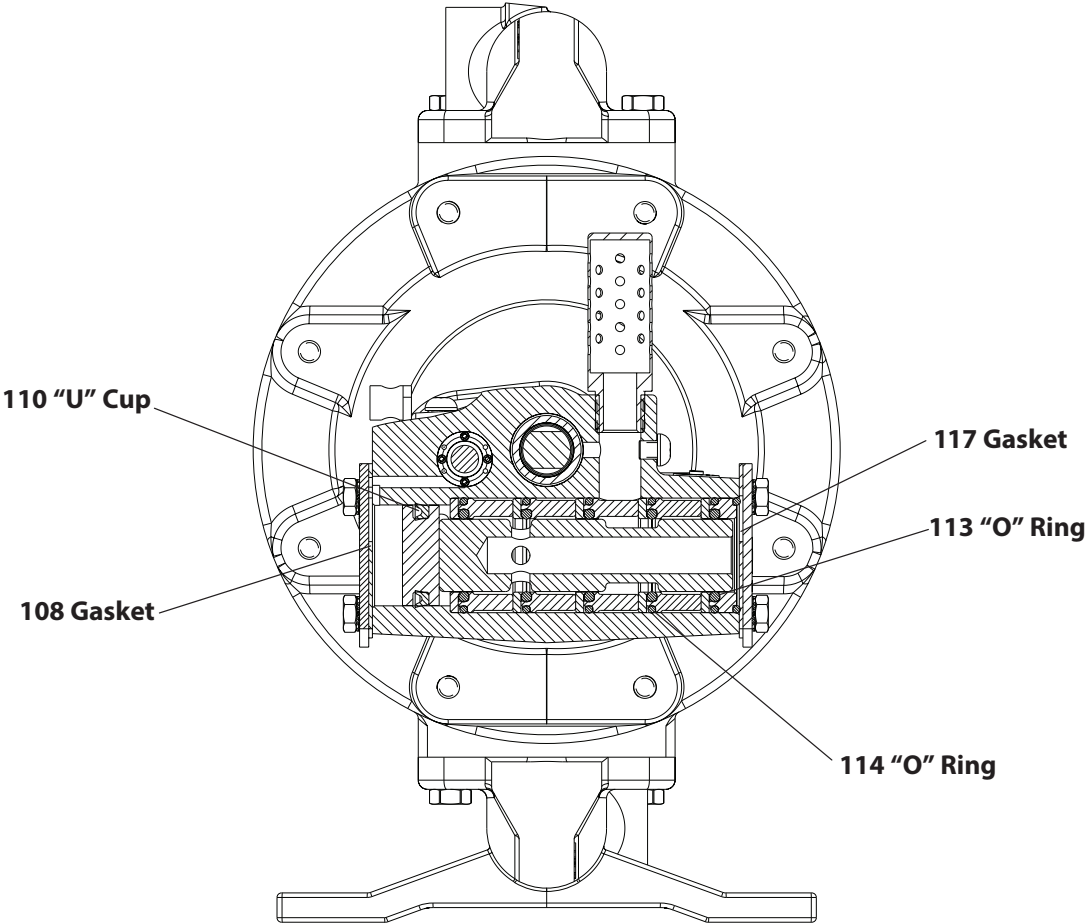
Refer to the Operator's Manual for Disassembly and Reassembly information.

☆ Kit Note: Some parts included in the Air Section Service Kits are used on the 1-1/2" pumps and may not be required for this assembly.



PARTS LIST FOR SPECIAL PUMP MODELS										
MODEL	ITEM 2	ITEM 3 (4)	ITEM 102 (2)	ITEM 108	ITEM 110	ITEM 113 (5)	ITEM 114 (6)	ITEM 117	ITEM 119 (4)	ITEM 122 (2)
650750	Y329-113	Y327-14	Y327-20	93870-1	Y247-51	Y327-214	Y327-126	93871-1	Y329-206	Y327-110
650750-1	93879	Y328-14	93872	93870	Y184-51	93878	93876	93871	93075	93874

**650750-X SPECIAL DIAPHRAGM PUMP**



**Figure 2**