

# OPERATOR'S MANUAL

# 651730

**INCLUDING: OPERATION, INSTALLATION AND MAINTENANCE.**

INCLUDE MANUALS: 253XX-XXX Heavy Duty Air Line Filter-Regulator-Lubricator (pn 103942).

RELEASED: 2-8-95

REVISED: 9-30-15

(REV. D)

## 651730 Air Manifold Assembly



**READ THIS MANUAL CAREFULLY BEFORE INSTALLING, OPERATING OR SERVICING THIS EQUIPMENT.**

It is the responsibility of the employer to place this information in the hands of the operator. Keep for future reference.

① Apply anaerobic pipe sealant to male threads at assembly.

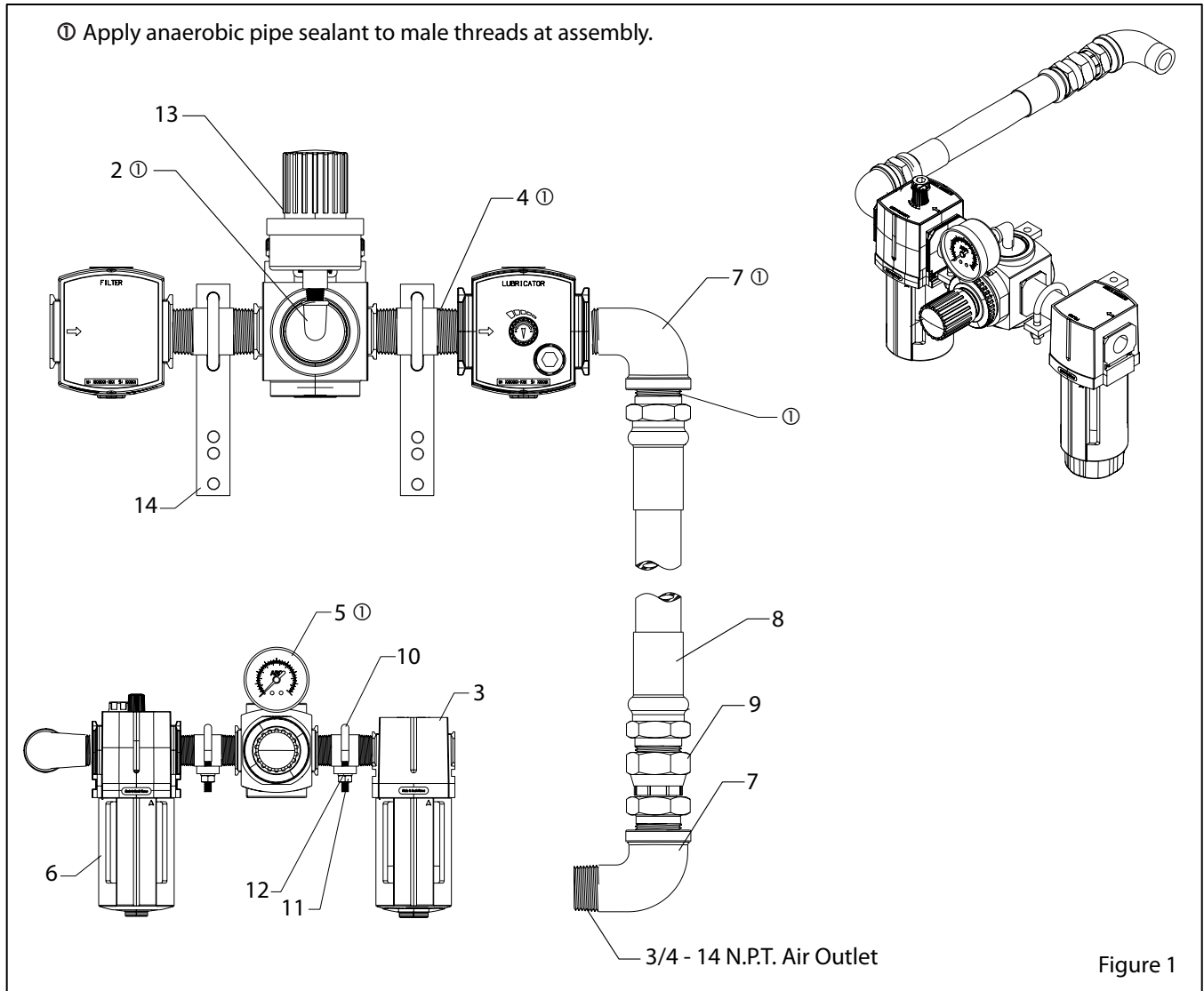


Figure 1

### PARTS LIST

Item	Description (size)	(Qty)	Part No.	Item	Description (size)	(Qty)	Part No.
2	Street Elbow (1/8 - 27 N.P.T.)	(1)	Y43-1-C	10	"U" Bolt (1/4" - 20)	(2)	76254
3	Filter	(1)	F35351-420	11	Nut (1/4" - 20)	(4)	Y12-4-C
4	Nipple (3/4 - 14 N.P.T. x 2-1/2")	(2)	Y44-42-C	12	Lock Washer (1/4")	(8)	Y14-416
5	Gauge	(1)	104500	13	Air Regulator	(1)	R37351-100
6	Lubricator	(1)	L36351-120	14	Mounting Plate (see figure 2)	(2)	90935
7	Street Elbow (3/4 - 14 N.P.T.)	(2)	Y43-5-C	15	Cap Screw (1/4" - 20 x 5/8") (see figure 3)	(4)	Y6-42-C
8	Hose (3/4 - 14 N.P.T.F. x 1.5 feet)	(1)	622651-1-F				
9	Swivel	(1)	75367				

INGERSOLL RAND COMPANY LTD  
209 NORTH MAIN STREET - BRYAN, OHIO 43506

① (800) 495-0276 • FAX (800) 892-6276  
arozone.com

© 2015

CCN 99624272

**ARO** Ingersoll Rand®

## INSTALLATION

1. Position the two (14) mounting plates on the two post lift mounting arm (see figures 2 and 3).
2. Using four (15) cap screws and four (12) lock washers, fasten the mounting plates to the four holes located on the top of the mounting arm.
3. Place the air manifold assembly on the mounting plates and secure using two (10) "U" bolts, four (12) lock washers and four

(11) nuts (see figures 1 and 2).

NOTE: The regulator is rotated upward 90° for easier viewing of (5) gauge.

4. Connect the (8) hose, (9) swivel and (7) street elbow to the pump air motor inlet.
5. Connect 1/2" i.d. air line hose to (3) filter.

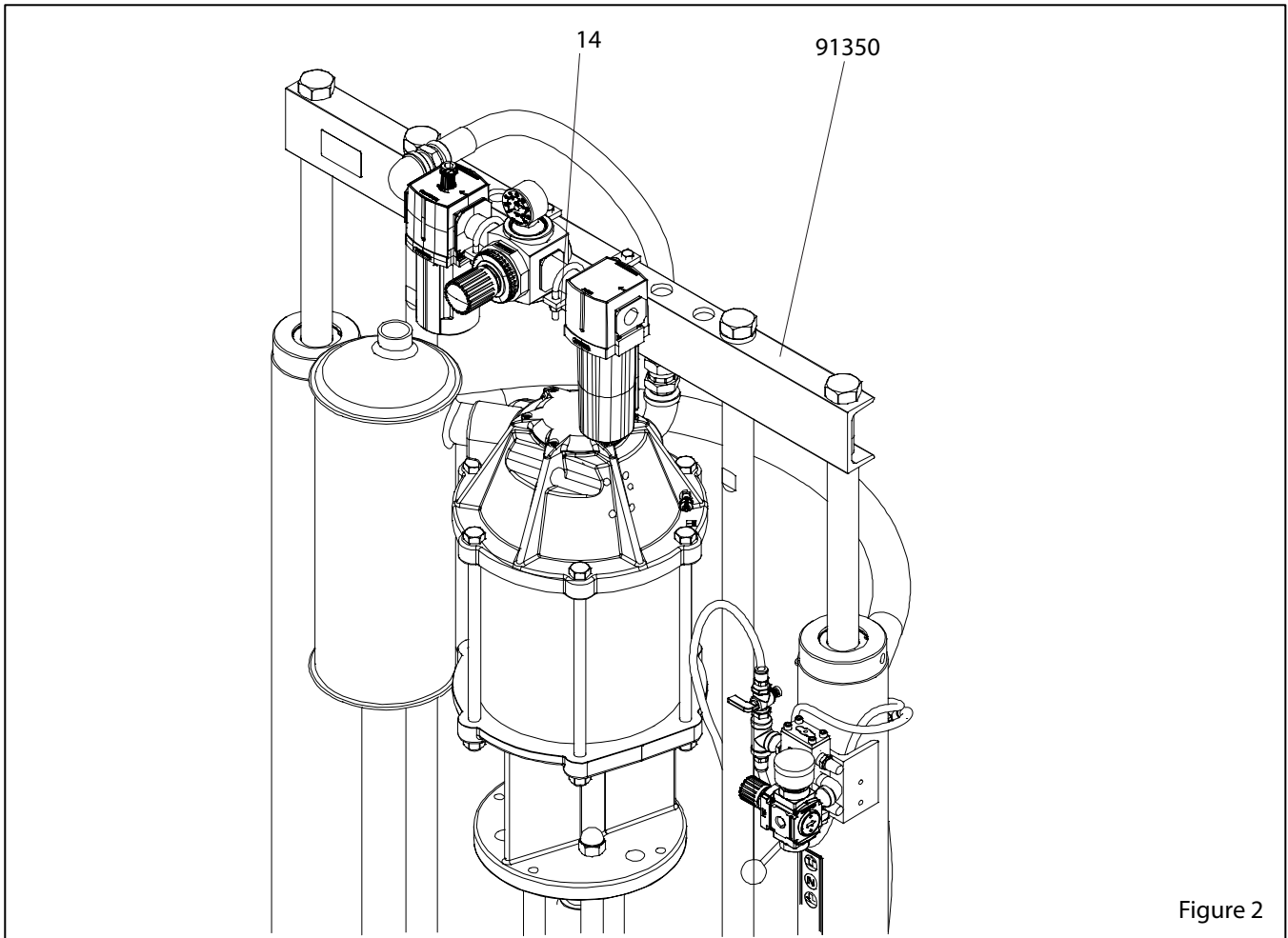


Figure 2

Mounting plate and parts included with assembly (1 mounting bracket shown).

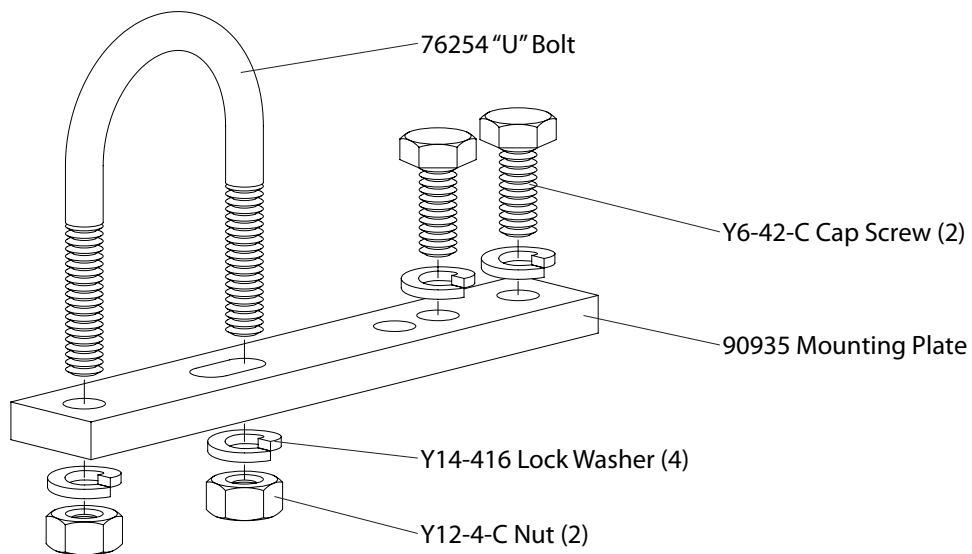


Figure 3