

SALES AND ENGINEERING DATA

RATIO SERIES:	1:1
FLUID PSIG RANGE:	20 - 120

66615X-XXX-C THRU 66618X-XXX-C 1-1/2" METALLIC DIAPHRAGM PUMP

RELEASED: 1-10-97
 REVISED: 3-10-23
 (REV: J) S-879

SPECIFICATIONS

Model Serie	6661XX-XXX-C
Pump Type	Metallic, Air Operated, Double Diaphragm
Ratio	1:1
Material Inlet / Outlet (female)	
66615X-X-C and 66616X-X-C....	1-1/2 - 11-1/2 NPTF - 1
66617X-X-C and 66618X-X-C....	1-1/2 - 11 BSP
6661LE-XXX-C.....	1.5" HYBRID ANSI / DIN / JIS RF FLANGE
Air Inlet (female)	1/2 - 14 NPTF - 1
Air Exhaust (female)	3/4 - 14 NPTF - 1
Weight	
Aluminum	51.54 lbs (23.4 kgs)
Cast Iron	79.54 lbs (36.1 kgs)
Stainless Steel.....	77.5 lbs (35.15 kgs)
Flange Model	88.73 lbs (40.25 kgs)
(add 23 lbs (10.4 kgs) for cast iron air motor section)	
Air Section Service Kit	637118-C
Fluid Section Service Kit	637124-XX
Composite PTFE Diaphragm Kit .	48496806

PERFORMANCE

Air Inlet Pressure Range	20 - 120 psig (1.4 - 8.3 bar)
Maximum Material Inlet Pressure	10 psig (0.69 bar)
Fluid Pressure Range	20 - 120 psig (1.4 - 8.3 bar)
Maximum Flow Rate (flooded inlet)	90 gpm (340.7 lpm)
Maximum Particle Size	1/4" dia. (6.4 mm)
Maximum Temperature Limits (diaphragm / ball / seat material)	
Acetal.....	-20° to 180° F (-29° to 82° C)
E.P.R	-60° to 280° F (-51° to 138° C)
Hytre ^l	-20 to 180° F (-29 to 82° C)
PVDF	10° to 200° F (-12° to 93° C)
Neoprene.....	0° to 200° F (-18° to 93° C)
Nitrile.....	10° to 180° F (-12° to 82° C)
Polypropylene	32° to 175° F (0° to 79° C)
Polyurethane	-10° to 150° F (-23° to 66° C)
PTFE	40° to 225° F (4° to 107° C)
Composite PTFE.....	14° to 194° F (-10° to 90° C)
Santoprene [®]	-40° to 225° F (-40° to 107° C)
Viton [®]	-40° to 350° F (-40° to 177° C)

Displacement / Cycle @ 100 psig

Standard Diaphragm	0.64 gal. (2.42 lit.)
Composite PTFE Diaphragm ..	0.40 gal. (1.52 lit.)

Noise Level @ 70 psig - 60 cpm[Ⓛ]. 80.5 dB(A)[Ⓜ]

Note:

- Ⓛ Tested with 350-568 muffler installed.
- Ⓜ The pump sound pressure level has been updated to an Equivalent Continuous Sound Level (LA_{eq}) to meet the intent of ANSI S1. 13-1971, CAGI-PNEUROSP S5.1 using four microphone locations.

ACCESSORIES:

65010 Neoprene "O" Ring Air Motor Kit	66084-1 Air Line Connection Kit
65764 Viton "O" Ring Air Motor Kit	637155 Abrasion Resistant Conversion Kit

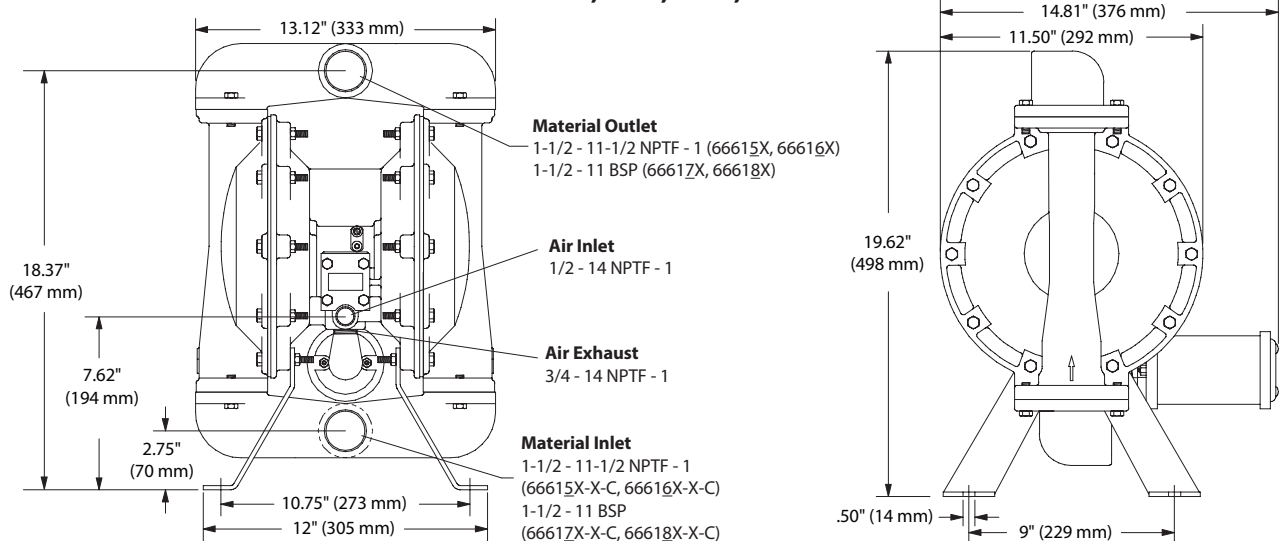
66615X - XXX - C
637124 - XX - C

Ball Material [□] Diaphragm Material

Example: Model 666150-361-C
 Fluid Section Service Kit is 637124-61

DIMENSIONAL DATA

6661X0, 1X2, 1XA, 1XC



Dimensions shown are for reference only, they are displayed in inches and millimeters (mm).

INGERSOLL RAND COMPANY INC

209 NORTH MAIN STREET - BRYAN, OHIO 43506

Ⓛ (800) 495-0276 • FAX (800) 892-6276

© 2023

CCN 15260219

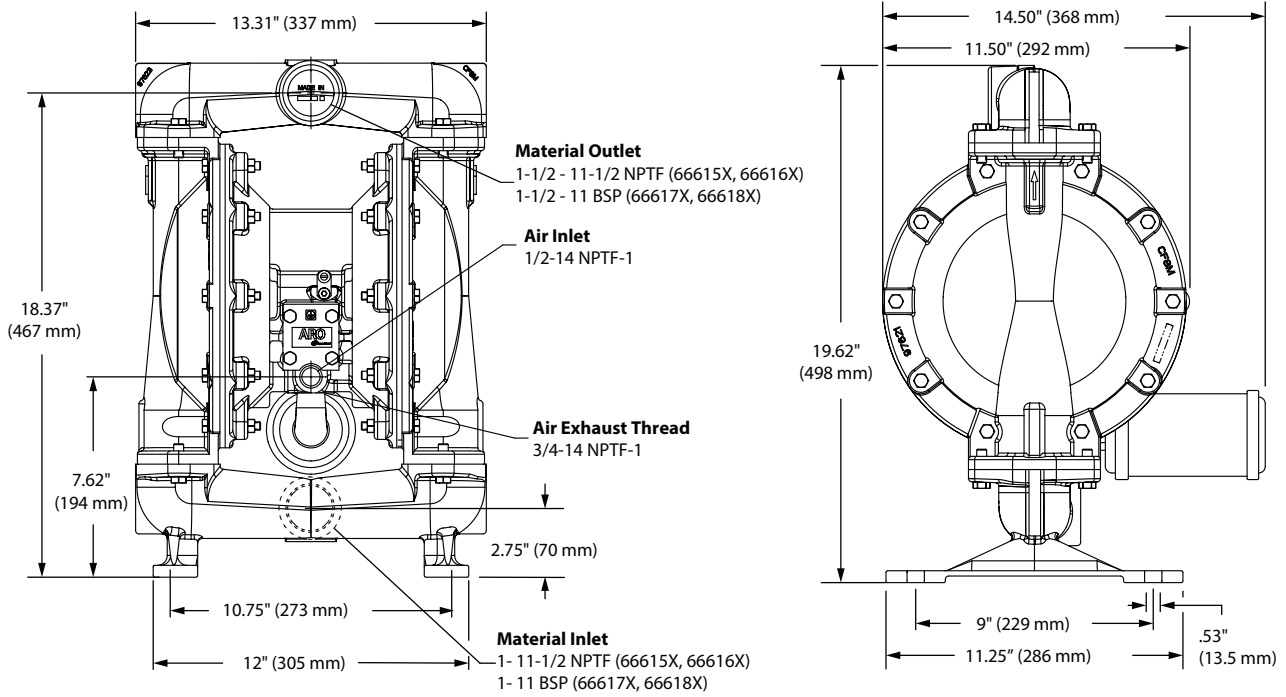
arozone.com

ARO

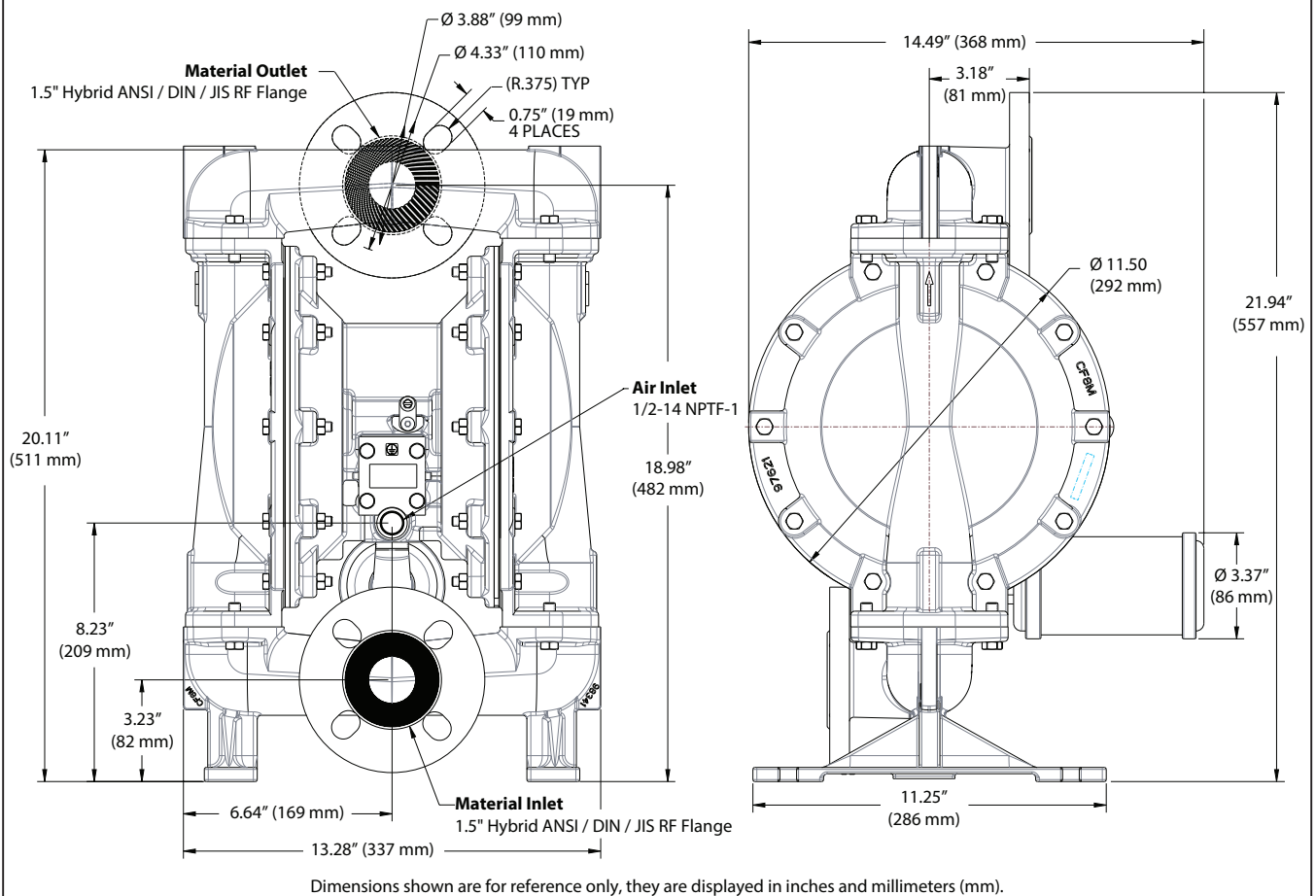
IR Ingersoll Rand.

DIMENSIONAL DATA

6661X1, 1XB



6661LE



PERFORMANCE CURVES

6661XX-XXX-C 1-1/2" METALLIC DIAPHRAGM PUMP

