



15301831
Edition 1
March 2009

Combination Assembly

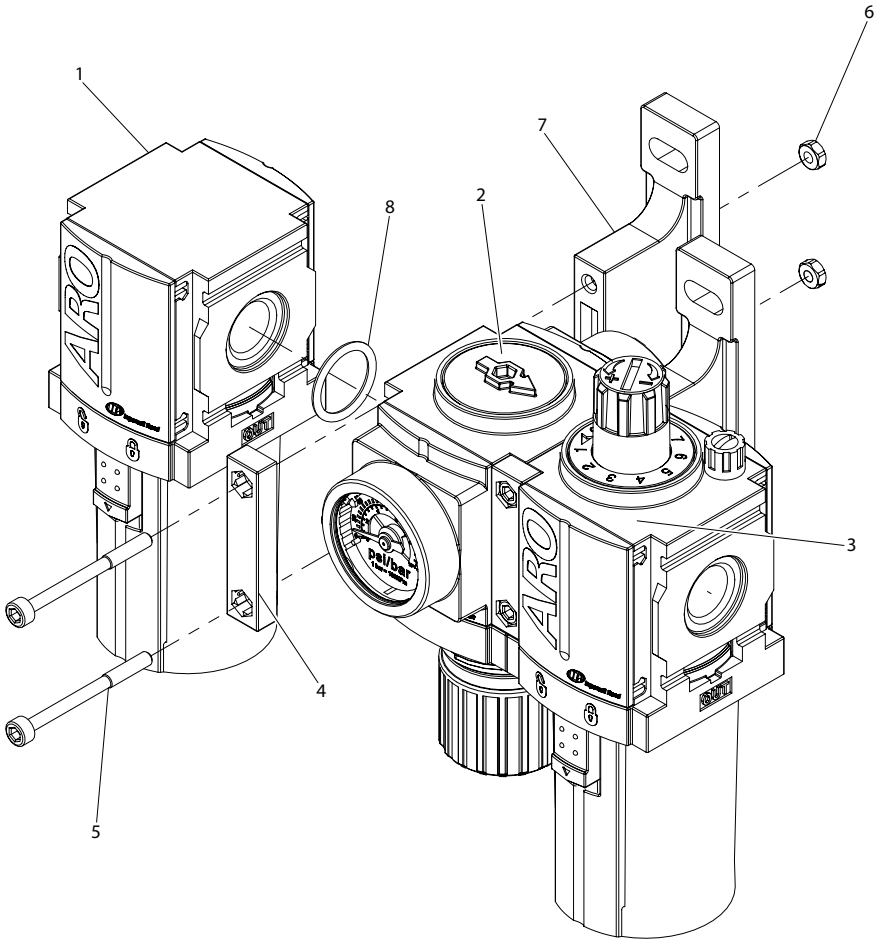
1000 Series

Parts Information



Save These Instructions

Combination Assembly 1000 Series C381X1-XXX Exploded Diagram



(Dwg. 15318629)

Combination Assembly 1000 Series C381X1-XXX Parts List

| Item | Part Description | Material | Part Number |
|------|-------------------------------------|----------|-------------|
| 1 | Filter (See Part List 15301799) | --- | F351X1-XXX |
| 2 | Regulator (See Part List 15301807) | --- | R371X1-XXX |
| 3 | Lubricator (See Part List 15301815) | --- | L361X1-XXX |
| * | Piggyback (See Part List 15301823) | --- | P391XX-XXX |
| 4 | I-Bracket | Acetal | 104399 |
| 5 | Bolt | Steel | |
| 6 | Nut | | |
| 7 | T-Bracket | Acetal | |
| 8 | Combination "O" Ring | Nitrile | |

* Not Shown

Parts and Maintenance

When the life of the product has expired, it is recommended that the product be disassembled, degreased and parts be separated by material so that they can be recycled.

Product repair and maintenance should only be carried out by an authorized Service Center.

Refer all communications to the nearest **Ingersoll Rand** Office or Distributor.

Related Documentation

For additional information refer to:

Safety Information Manual 15301765.

Product Information Manual 15301773.

Maintenance Information Manual 15301781.

Manuals can be downloaded from fluids.ingersollrand.com.

Part No: 100400-60

fluids.ingersollrand.com

© 2009 **Ingersoll Rand** Company

