

# OPERATOR'S MANUAL

# PX30X-XXX-XXX-CXXX

INCLUDING: OPERATION, INSTALLATION AND MAINTENANCE

RELEASED: 2-9-05

REVISED: 6-3-22

(REV: T)

## 3" DIAPHRAGM PUMP 1:1 RATIO (METALLIC)



**READ THIS MANUAL CAREFULLY BEFORE INSTALLING,  
OPERATING OR SERVICING THIS EQUIPMENT.**

It is the responsibility of the employer to place this information in the hands of the operator. Keep for future reference.

### SERVICE KITS

Refer to Model Description Chart to match the pump material options.

**637303-XXX** for Fluid Section Repair **with** seats (see page 5).

**637303-XX** for Fluid Section Repair **without** seats (see page 5).

**NOTE:** This kit also contains several air motor seals which will need to be replaced.

**637374-X** Major Air Valve Assembly (see page 8).

**637421** for Air Section Repair (see page 7).

### PUMP DATA

**Models**..... see Model Description Chart for "-XXX"

**Pump Type**..... Metallic Air Operated Double Diaphragm

**Material**..... see Model Description Chart

#### Weight

PX30A-XAX-XXX-CXXX, ..... 129.6 lbs (58.8 kgs)

PX30A-XCX-XXX-CXXX, ..... 221.1 lbs (100.3 kgs)

PX30A-AHX-XXX-CXXX, -BHX ..... 249.8 lbs (113.3 kgs)

PX30A-ASX-XXX-CXXX, -BSX ..... 228.8 lbs (103.8 kgs)

PX30A-FHX-XXX-CXXX, -DHX ..... 269.6 lbs (122.3 kgs)

PX30A-FSX-XXX-CXXX, -DSX ..... 245.6 lbs (111.4 kgs)

(add 40.0 lbs [18.2 kg] for stainless steel air motor section)

**Maximum Air Inlet Pressure** ..... 120 psig (8.3 bar)

**Maximum Material Inlet Pressure**... 10 psig (0.69 bar)

**Maximum Outlet Pressure** ..... 120 psig (8.3 bar)

**Maximum Flow Rate** ..... 237 gpm (897 lpm)

**flooded inlet** ..... 275 gpm (1041 lpm)

**Displacement / Cycle @ 100 psig**..... 2.8 gal (10.6 lit)

**Maximum Particle Size** ..... 3/8" dia (9.5 mm)

**Maximum Temperature Limits (diaphragm / ball / seal material)**

E.P.R. / EPDM ..... -60° to 280°F (-51° to 138°C)

Hytrel® ..... -20° to 180°F (-29° to 82°C)

PVDF ..... 10° to 200°F (-12° to 93°C)

Nitrile ..... 10° to 180°F (-12° to 82°C)

Santoprene® ..... -40° to 225°F (-40° to 107°C)

PTFE ..... 40° to 225°F (4° to 107°C)

Viton® ..... -40° to 350°F (-40° to 177°C)

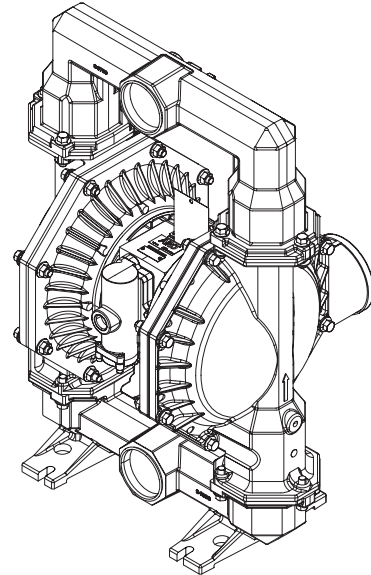
**Dimensional Data**..... see page 9

**Mounting Dimensions** ..... 10-5/32" x 12-1/16"  
(258 mm x 306 mm)

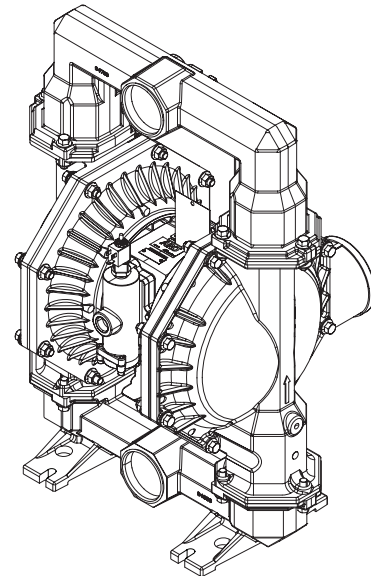
**Noise Level @ 70 psig, 50 cpm**<sup>①</sup> . 83.0 dB(A)<sup>②</sup>

① Tested with 67263 muffler assembly installed.

② The pump sound pressure levels published here have been updated to an Equivalent Continuous Sound Level (LA<sub>eq</sub>) to meet the intent of ANSI S1.13-1971, CAGI-PNEUROP S5.1 using four microphone locations.



MODEL PD30X



MODEL PE30X

Figure 1

### INGERSOLL RAND COMPANY INC

209 NORTH MAIN STREET – BRYAN, OHIO 43506

① (800) 495-0276 • FAX(800) 892-6276

© 2022

CCN 15227648

arozone.com

# ARO

**IR** Ingersoll Rand®

# MODEL DESCRIPTION CHART

## Model Code Explanation

**Example:**

PX30    X    -    X    X    X    -    X    X    X    -    C    X    X    X

**Model Series**

PD30- Standard Pump

PE30- Electronic Interface

**Air Motor / Air Cap Material**

A - Aluminum

S - Stainless Steel

**Fluid Connection**

A - 3 - 8 NPTF - 1

B - Rp 3 (3 - 11 BSP parallel)

D - 3" ANSI Flange (4-holes)

F - 3" DIN Flange (8-holes)

**Fluid Caps and Manifold Material**

A - Aluminum

C - Cast Iron

H - Hastelloy®- C

S - Stainless Steel

**Hardware Material**

P - Carbon Steel

S - Stainless Steel

**Seat Material**

A - Santoprene

K - PVDF

C - Hytrel

L - Hastelloy®- C

E - Carbon Steel

S - 316 Stainless Steel

F - Aluminum

G - Nitrile

H - Hard 440 Stainless Steel

**Ball Material**

A - Santoprene

C - Hytrel

G - Nitrile

T - PTFE

V - Viton

**Diaphragm Material**

A - Santoprene

B - Santoprene (backer)

C - Hytrel

G - Nitrile

L - Long Life PTFE

T - PTFE / Santoprene

V - Viton

**Revision**

C - Revision

**Specialty Code 1 (Blank if no Speciality Code)**

A - Solenoid 120 VAC, 110 VAC AND 60 VDC

B - Solenoid 12 VDC, 24 VAC AND 22 VAC

C - Solenoid 240 VAC, 220 VAC AND 120 VDC

D - Solenoid 24 VDC, 48 VAC AND 44 VAC

E - Solenoid 12 VDC NEC / CEC

F - Solenoid 24 VDC NEC / CEC

G - Solenoid 12 VDC ATEX / IECEx

H - Solenoid 24 VDC ATEX / IECEx

J - Solenoid 120 VAC NEC / CEC

K - Solenoid 220 VAC ATEX / IECEx

N - Solenoid with no Coil

P - Ported Motor (No Major Valve)

O - Standard Valve Block (No Solenoid)

S - Cycle Sensing on Major Valve

**Specialty Code 2 (Blank if no Speciality Code)**

E - End of Stroke feedback + Leak Detection

F - End of Stroke feedback

G - End of Stroke ATEX / IECEx / NEC / CEC

H - End of Stroke + Leak Detection ATEX / IECEx / NEC / CEC

L - Leak Detection

M - Leak Detection ATEX / IECEx / NEC / CEC

R - End of Stroke NEC

T - End of Stroke NEC / Leak Detection NEC

U - Leak Detection ATEX / IECEx / CEC

O - No Option

**Special Testing**

*For Special Testing options, please contact your nearest **Ingersoll Rand** Customer Service Representative or Distributor.*

**NOTICE: All possible options are shown in the chart, however, certain combinations may not be recommended.**

**Consult a representative or the factory if you have questions concerning availability.**

## OPERATING AND SAFETY PRECAUTIONS

READ, UNDERSTAND AND FOLLOW THIS INFORMATION TO AVOID INJURY AND PROPERTY DAMAGE.



**⚠ WARNING** EXCESSIVE AIR PRESSURE. Can cause personal injury, pump damage or property damage.

- Do not exceed the maximum inlet air pressure as stated on the pump model plate.
- Be sure material hoses and other components are able to withstand fluid pressures developed by this pump. Check all hoses for damage or wear. Be certain dispensing device is clean and in proper working condition.

**⚠ WARNING** STATIC SPARK. Can cause explosion resulting in severe injury or death. Ground pump and pumping system.

- Use the pump grounding screw terminal provided. Use ARO® part no. 66885-1 ground kit or connect a suitable ground wire (12 ga. min.) to a good earth ground source.
- Secure pump, connections and all contact points to avoid vibration and generation of contact or static spark.
- Consult local building codes and electrical codes for specific grounding requirements.
- After grounding, periodically verify continuity of electrical path to ground. Test with an ohmmeter from each component (e.g., hoses, pump, clamps, container, spray gun, etc.) to ground to ensure continuity. Ohmmeter should show 0.1 ohms or less.
- Submerge the outlet hose end, dispensing valve or device in the material being dispensed if possible. (Avoid free streaming of material being dispensed.)
- Use hoses incorporating a static wire.
- Use proper ventilation.
- Keep inflammables away from heat, open flames and sparks.
- Keep containers closed when not in use.

**⚠ WARNING** Pump exhaust may contain contaminants. Can cause severe injury. Pipe exhaust away from work area and personnel.

- In the event of a diaphragm rupture, material can be forced out of the air exhaust muffler.
- Pipe the exhaust to a safe remote location when pumping hazardous or inflammable materials.
- Use a grounded 1" minimum ID hose between the pump and the muffler.

**⚠ WARNING** HAZARDOUS PRESSURE. Can result in serious injury or property damage. Do not service or clean pump, hoses or dispensing valve while the system is pressurized.

- Disconnect air supply line and relieve pressure from the system by opening dispensing valve or device and / or carefully and slowly loosening and removing outlet hose or piping from pump.

**⚠ WARNING** HAZARDOUS MATERIALS. Can cause serious injury or property damage. Do not attempt to return a pump to the factory or service center that contains hazardous material. Safe handling practices must comply with local and national laws and safety code requirements.

- Obtain Material Safety Data Sheets on all materials from the supplier for proper handling instructions.

**⚠ WARNING** EXPLOSION HAZARD. Models containing aluminum parts cannot be used with 1,1,1-trichloroethane, methylene chloride or other halogenated hydrocarbon solvents which may react and explode.

- Check pump motor section, fluid caps, manifolds and all wetted parts to assure compatibility before using with solvents of this type.

**⚠ WARNING** MISAPPLICATION HAZARD. Do not use models containing aluminum wetted parts with food products for human consumption. Plated parts can contain trace amounts of lead.

**⚠ CAUTION** Verify the chemical compatibility of the pump wetted parts and the substance being pumped, flushed or recirculated. Chemical compatibility may change with temperature and concentration of the chemical(s) within the substances being pumped, flushed or circulated. For specific fluid compatibility, consult the chemical manufacturer.

**⚠ CAUTION** Maximum temperatures are based on mechanical stress only. Certain chemicals will significantly reduce maximum safe operating temperature. Consult the chemical manufacturer for chemical compatibility and temperature limits. Refer to PUMP DATA on page 1 of this manual.

**⚠ CAUTION** Be certain all operators of this equipment have been trained for safe working practices, understand it's limitations, and wear safety goggles / equipment when required.

**⚠ CAUTION** Do not use the pump for the structural support of the piping system. Be certain the system components are properly supported to prevent stress on the pump parts.

- Suction and discharge connections should be flexible connections (such as hose), not rigid piped, and should be compatible with the substance being pumped.

**⚠ CAUTION** Prevent unnecessary damage to the pump. Do not allow pump to operate when out of material for long periods of time.

- Disconnect air line from pump when system sits idle for long periods of time.

**⚠ CAUTION** Use only genuine ARO replacement parts to assure compatible pressure rating and longest service life.

**NOTICE** Replacement warning labels are available upon request: "Static Spark & Diaphragm Rupture" pn \ 94080.

**⚠ WARNING** = Hazards or unsafe practices which could result in severe personal injury, death or substantial property damage.

**⚠ CAUTION** = Hazards or unsafe practices which could result in minor personal injury, product or property damage.

**NOTICE** = Important installation, operation or maintenance information.

---

## GENERAL DESCRIPTION

---

The ARO diaphragm pump offers high volume delivery even at low air pressure and a broad range of material compatibility options are available. Refer to the model and option chart. ARO pumps feature stall resistant design, modular air motor / fluid sections.

Air operated double diaphragm pumps utilize a pressure differential in the air chambers to alternately create suction and a positive fluid pressure in the fluid chambers, valve checks ensure a positive flow of fluid.

Pump cycling will begin as air pressure is applied and will continue to pump and keep up with the demand. It will build and maintain line pressure and will stop cycling once maximum line pressure is reached (dispensing device closed) and will resume pumping as needed.

---

## AIR AND LUBE REQUIREMENTS

---

**⚠️ WARNING** **EXCESSIVE AIR PRESSURE. Can cause pump damage, personal injury or property damage.**

- A filter capable of filtering out particles larger than 50 microns should be used on the air supply. There is no lubrication required other than the "O" ring lubricant which is applied during assembly or repair.
- If lubricated air is present, make sure that it is compatible with the "O" rings and seals in the air motor section of the pump.

---

## OPERATING INSTRUCTIONS

---

- Always flush the pump with a solvent compatible with the material being pumped if the material being pumped is subject to "setting up" when not in use for a period of time.
- Disconnect the air supply from the pump if it is to be inactive for a few hours.
- The outlet material volume is governed not only by the air supply, but also by the material supply available at the inlet. The material supply tubing should not be too small or restrictive. Be sure not to use hose which might collapse.
- When the diaphragm pump is used in a forced-feed (flooded inlet) situation, it is recommended that a "check valve" be installed at the air inlet.
- Secure the diaphragm pump legs to a suitable surface to ensure against damage by vibration.

---

## MAINTENANCE

---

Refer to the part views and descriptions as provided on pages 5 through 8 for parts identification and service kit information.

- Certain ARO "Smart Parts" are indicated which should be available for fast repair and reduction of down time.
- Service kits are divided to service two separate diaphragm pump functions: 1. AIR SECTION, 2. FLUID SECTION. The Fluid Section is divided further to match typical part Material Options.
- Provide a clean work surface to protect sensitive internal moving parts from contamination from dirt and foreign matter during service disassembly and reassembly.
- Keep good records of service activity and include the pump in preventive maintenance program.
- Before disassembling, empty captured material in the outlet manifold by turning the pump upside down to drain material from the pump.

---

## FLUID SECTION DISASSEMBLY

---

1. Remove (61) outlet manifold and (60) inlet manifold.
  2. Remove (22) balls, (19) "O" rings (if applicable) and (21) seats.
  3. Remove (15) fluid caps.
- NOTE:** Only PTFE diaphragm models use a primary diaphragm (7) and a backup diaphragm (8). Refer to the auxiliary view in the Fluid Section illustration.
4. Remove the (14) screw, (6) diaphragm washer, (7) or (7 / 8) diaphragms, (5) backup washer and (196) cushion.

**NOTE:** Do not scratch or mar the surface of (1) diaphragm rod.

---

## FLUID SECTION REASSEMBLY

---

- Reassemble in reverse order. Refer to the torque requirements on page 6.
- Clean and inspect all parts. Replace worn or damaged parts with new parts as required.
- Lubricate (1) diaphragm rod and (144) "U" cups with Lubriplate® FML-2 grease (94276 grease packet is included in service kit).
- Be certain the diaphragm assembly bottoms out on the (1) rod, back off PTFE diaphragm assembly far enough to align holes.
- For models with PTFE diaphragms: Item (8) Santoprene diaphragm is installed with the side marked "AIR SIDE" towards the pump center body. Install the (7) PTFE diaphragm with the side marked "FLUID SIDE" towards the (15) fluid cap.
- Re-check torque settings after the pump has been re-started and run a while.

• Viton® is a registered trademarks of the Chemours Company • Hytrel® is a registered trademark of the DuPont Company •

• Santoprene® is a registered trademark of Celanese • ARO® is a registered trademark of Ingersoll-Rand Company •

• Lubriplate® is a registered trademark of Lubriplate Division (Fiske Brothers Refining Company) • 262™, 271™ and 572™ are trademarks of Henkel Loctite Corporation •

• Hastelloy® is a registered trademark of Haynes International, Inc. • Loctite® and 242 are registered trademarks of the Henkel Loctite Corporation •

# PARTS LIST / PX30X-XXX-XXX-CXXX FLUID SECTION

## FLUID SECTION SERVICE KITS (637303-XXX or 637303-XX)

### ★ For Fluid Kits With Seats:

637303-XXX Fluid Section Service Kits include: Seats (see SEAT Option, refer to -XXX in chart below), Balls (see BALL Option, refer to -XXX in chart below), Diaphragms (see DIAPHRAGM Option, refer to -XXX in chart below), and items: 3, 19, 70, 144, 175, 196 (listed below) plus 174 and 94276 Lubriplate FML-2 grease (page 7).

### ★ For Fluid Kits Without Seats:

637303-XX Fluid Section Service Kits include: Balls (see BALL Option, refer to -XX in chart below), Diaphragms (see DIAPHRAGM Option, refer to -XX in chart below), and items: 3, 19, 70, 144, 175, 196 (listed below) plus 174 and 94276 Lubriplate FML-2 grease (page 7).

EXTERNAL HARDWARE OPTION PX30X-XXX-XXX-CXXX						
Item	Description (size)	Qty	PX30X-XXP-XXX-C		PX30X-XXS-XXX-C	
			Part No.	Mtl	Part No.	Mtl
26	Screw (M12 x 1.75 - 6g x 45 mm)	(12)	94412-1	[C]	94412-2	[SS]
27	Screw (M12 x 1.75 - 6g x 60 mm)	(16)	94991-1	[C]	94991	[SS]
29	Nut (M12 x 1.75 - 6h)	(16)	95053-1	[C]	95053	[SS]

COMMON PARTS				
Item	Description (size)	Qty	Part No.	Mtl
1	Rod	(1)	97387	[C]
43	Ground Lug (see page 8)	(1)	93004	[Co]
70	Gasket	(2)	94100	[B]
144	"U" Cup (3/16" x 1-3/8" OD)	(2)	Y186-51	[B]
180	Gasket (0.406" ID x 0.031" thick)	(4)	94098	[Co]
196	Cushion	(2)	94631	[Sp]

SEAT OPTIONS PX30X-XXX-XXX-CXXX							
★ "21"							
-XXX	Seat	Qty	Mtl	-XXX	Seat	Qty	Mtl
-AXX	94104-A	(4)	[Sp]	-HXX	94114	(4)	[SH]
-CXX	94104-C	(4)	[H]	-KXX	94621-K	(4)	[K]
-EXX	95678	(4)	[C]	-LXX	94939	(4)	[Ha]
-FXX	95674	(4)	[A]	-SXX	94113	(4)	[SS]
-GXX	94104-G	(4)	[B]				

BALL OPTIONS PX30X-XXX-XXX-CXXX						
★ "22" (3-1/4" diameter)				★ "19" (3/16" x 5" OD)		
-XXX	Ball	Qty	Mtl	"O" Ring	Qty	Mtl
-XAX	94103-A	(4)	[Sp]	94115	(4)	[E]
-XCX	94103-C	(4)	[H]	Y327-350	(4)	[V]
-XGX	94103-G	(4)	[B]	Y325-350	(4)	[B]
-XTX	94103-T	(4)	[T]	Y328-350	(4)	[T]
-VXX	94103-V	(4)	[V]	Y327-350	(4)	[V]

NOTE: Seat options -AXX, -CXX and -GXX do not require item 19 "O" ring.

DIAPHRAGM OPTIONS PX30X-XXX-XXX-CXXX											
-XXX	★ Service kits With Seats -XXX = (Seat) -XXX = (Ball) -XXX = (Diaphragm)	★ Service Kits Without Seats -XX = (Ball) -XX = (Diaphragm)	★ "7"			★ "8"			★ "3" (1/8" x 1" OD)		
			Diaphragm	Qty	Mtl	Diaphragm	Qty	Mtl	"O" Ring	Qty	Mtl
-XXA	637303-XXA	637303-XA	94091-A	(2)	[Sp]	-----	---	---	Y328-210	(2)	[T]
-XXB	637303-XXB	637303-XB	94110-A	(2)	[Sp]	-----	---	---	Y328-210	(2)	[T]
-XXC	637303-XXC	637303-XC	94091-C	(2)	[H]	-----	---	---	Y327-210	(2)	[V]
-XXG	637303-XXG	637303-XG	96016-2	(2)	[B]	-----	---	---	Y328-210	(2)	[T]
-XXL	637303-XXL	637303-XL	94090-L	(2)	[L]	94110-A	(2)	[Sp]	Y328-210	(2)	[T]
-XXT	637303-XXT	637303-XT	94090-T	(2)	[T]	94110-A	(2)	[Sp]	Y328-210	(2)	[T]
-XXV	637303-XXV	637303-XV	95345	(2)	[V]	-----	---	---	Y327-210	(2)	[V]

CENTER SECTION PART OPTIONS PX30X-XXX-XXX-CXXX						
Item	Description (size)	Qty	PX30A-XXX-XXX-C		PX30S-XXX-XXX-C	
			Part No.	Mtl	Part No.	Mtl
5	Backup Washer	(2)	94831-1	[C]	94831-2	[SS]
68	Air Cap	(1)	94721-1	[A]	94031-1	[SS]
69	Air Cap	(1)	94721-2	[A]	94031-2	[SS]
74	Pipe Plug (1/4 - 18 NPT x 7/16")	(2)	Y17-51-S	[SS]	Y17-51-S	[SS]
126	Pipe Plug	(1)	Y17-13-S	[SS]	Y17-13-S	[SS]
131	Screw (M10 x 1.5 - 6g x 120 mm)	(4)	94531	[C]	96656	[SS]
★ 175	"O" Ring (3/32" x 1" OD)	(2)	Y325-117	[B]	-----	---
	(3/32" x 1-1/16" OD)	(2)	-----	---	Y325-118	[B]
181	Roll Pin (5/32" OD x 3/4" long)	(4)	-----	---	Y178-56-S	[SS]

MATERIAL CODE
[A] = Aluminum
[B] = Nitrile
[C] = Carbon Steel
[Co] = Copper
[CI] = Cast Iron
[E] = E.P.R.
[H] = Hytrel
[Ha] = Hastelloy - C
[K] = PVDF
[L] = Long Life PTFE
[SH] = Hard Stainless Steel
[Sp] = Santoprene
[SS] = Stainless Steel
[T] = PTFE
[V] = Viton

MANIFOLD THREAD / FLUID CAP MATERIAL OPTIONS PX30X-XXX-XXX-CXXX																		
Item	Description (size)	Qty	PX30X-AXX-XXX-C		PX30X-CXX-XXX-C		PX30X-HXX-XXX-C		PX30X-SXX-XXX-C		PX30X-DHX-XXX-C		PX30X-DSX-XXX-C		PX30X-FHX-XXX-C		PX30X-FSX-XXX-C	
			Part No.	Mtl	Part No.	Mtl	Part No.	Mtl	Part No.	Mtl	Part No.	Mtl	Part No.	Mtl	Part No.	Mtl	Part No.	Mtl
6	Diaphragm Washer	(2)	94802	[A]	94803	[SS]	94947	[Ha]	94803	[SS]	94947	[Ha]	94803	[SS]	94947	[Ha]	94803	[SS]
9	Washer	(2)	Y13-12-T	[SS]	Y13-12-T	[SS]	94949	[Ha]	Y13-12-T	[SS]	94949	[Ha]	Y13-12-T	[SS]	94949	[Ha]	Y13-12-T	[SS]
14	Cap Screw (3/4" - 16 x 3-1/4")	(2)	Y5-134-T	[SS]	Y5-134-T	[SS]	94948	[Ha]	Y5-134-T	[SS]	94948	[Ha]	Y5-134-T	[SS]	94948	[Ha]	Y5-134-T	[SS]
15	Fluid Cap	(2)	94024	[A]	94106	[CI]	94693	[Ha]	94107	[SS]	94693	[Ha]	94107	[SS]	94693	[Ha]	94107	[SS]
60	Inlet Manifold	(1)	94699-[Ø]	[A]	97215-[Ø]	[CI]	97216-[Ø]	[Ha]	97212-[Ø]	[SS]	97420	[Ha]	97416	[SS]	97257	[Ha]	97213	[SS]
61	Outlet Manifold	(1)	94700-[Ø]	[A]	94702-[Ø]	[CI]	94809-[Ø]	[Ha]	94704-[Ø]	[SS]	97421	[Ha]	97417	[SS]	96810	[Ha]	96784	[SS]

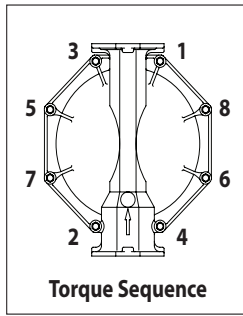
① Air motor kit parts, see pages 7 and 8.

② For NPTF thread models (PX30X-AXX-XXX-CXXX) use "-1".  
For BSP thread models (PX30X-BXX-XXX-CXXX) use "-2".

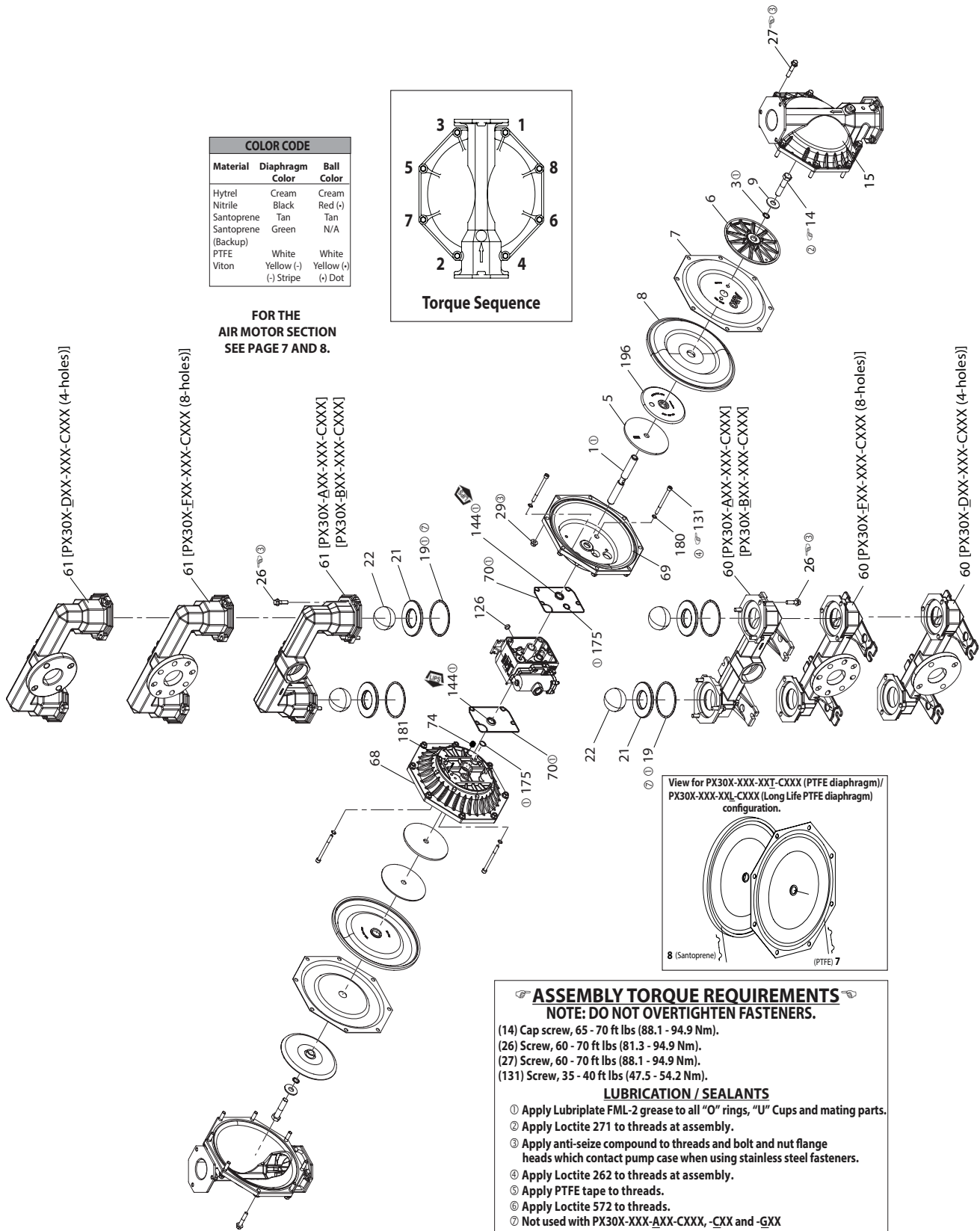
③ "Smart Parts", keep these items on hand in addition to the service kits for fast repair and reduction of down time.

# PARTS LIST / PX30X-XXX-XXX-CXXX FLUID SECTION

COLOR CODE		
Material	Diaphragm Color	Ball Color
Hytrel	Cream	Cream
Nitrile	Black	Red (-)
Santoprene	Tan	Tan
Santoprene (Backup)	Green	N/A
PTFE	White	White
Viton	Yellow (-)	Yellow (-)
	(-) Stripe	(-) Dot



FOR THE AIR MOTOR SECTION SEE PAGE 7 AND 8.



## ASSEMBLY TORQUE REQUIREMENTS

**NOTE: DO NOT OVERTIGHTEN FASTENERS.**

- (14) Cap screw, 65 - 70 ft lbs (88.1 - 94.9 Nm).
- (26) Screw, 60 - 70 ft lbs (81.3 - 94.9 Nm).
- (27) Screw, 60 - 70 ft lbs (88.1 - 94.9 Nm).
- (131) Screw, 35 - 40 ft lbs (47.5 - 54.2 Nm).

## LUBRICATION / SEALANTS

- ① Apply Lubriplate FML-2 grease to all "O" rings, "U" Cups and mating parts.
- ② Apply Loctite 271 to threads at assembly.
- ③ Apply anti-seize compound to threads and bolt and nut flange heads which contact pump case when using stainless steel fasteners.
- ④ Apply Loctite 262 to threads at assembly.
- ⑤ Apply PTFE tape to threads.
- ⑥ Apply Loctite 572 to threads.
- ⑦ Not used with PX30X-XXX-AXX-CXXX, -CXX and -GXX

Note: Lubriplate FML-2 is a white food grade petroleum grease.

Figure 2

## PARTS LIST / PX30X-XXX-XXX-CXXX AIR MOTOR SECTION

② Indicates parts included in 637421 air section service kit shown below and items (70), (144), (175) and (180) shown on page 5.

### AIR MOTOR PARTS

Item	Description (size)	Qty	Part No.	Mtl	Item	Description (size)	Qty	Part No.	Mtl
101	Center Body (PX30A-XXX-XXX-CXXX)	(1)	97031	[A]	② 167	Pilot Piston (includes 168 and 169)	(1)	67164	[D]
	(PX30S-XXX-XXX-CXXX)	(1)	97040	[SS]	168	"O" Ring (3/32" x 5/8" OD)	(2)	94433	[U]
103	Bushing	(1)	97394	[D]	169	"U" Cup (1/8" x 7/8" OD)	(1)	Y240-9	[B]
105	Screw (M6 x 1 - 6g x 20 mm)	(4)	95887	[SS]	170	Piston Sleeve	(1)	94081	[D]
111	Spool	(1)	95651	[D]	② 171	"O" Ring (3/32" x 1-1/8" OD)	(1)	Y325-119	[B]
118	Actuator Pin (0.250" x 2.276" long)	(2)	94083	[SS]	② 172	"O" Ring (1/16" x 1-1/8" OD)	(1)	Y325-22	[B]
121	Sleeve	(2)	94084	[D]	② 173	"O" Ring (1/16" x 1-3/8" OD)	(2)	Y325-26	[B]
127	90° St. Elbow (1-1/2 - 1-1/2 NPT)	(1)	94860	[C / I]	① ② 174	"O" Ring (1/8" x 1/2" OD)	(2)	Y325-202	[B]
128	Set Screw (1/4" - 20 x 1/4")	(2)	Y29-42-S	[SS]	② 176	Diaphragm (check valve)	(2)	94102	[Sp]
② 132	Gasket	(1)	94099	[B]	② 199	Track Gasket	(1)	95666	[B]
133	Lockwasher (1/4") (PX30A-XXX-XXX-CXXX)	(3)	Y117-416-C	[C]	② 200	Gasket	(1)	95665	[B]
	(PX30S-XXX-XXX-CXXX)	(3)	Y14-416-T	[SS]	201	Muffler Kit (includes item 127)	(1)	67213	
134	Screw (M6 x 1 - 6g x 35 mm)	(4)	95923	[SS]	233	Adapter Plate (PX30A-XXX-XXX-CXXX)	(1)	96336	[A]
135	Valve Housing (PD30A-XXX-XXX-CXXX)	(1)	96334-1	[A]		(PX30S-XXX-XXX-CXXX)	(1)	96338	[SS]
	(PD30S-XXX-XXX-CXXX)	(1)	96337-1	[SS]	240	Screw (M6 x 1 - 6g x 16 mm)	(2)	95991	[SS]
136	Plug (PX30A-XXX-XXX-CXXX)	(1)	96335	[A]	② 241	Track Gasket	(1)	96344	[B]
	(PX30S-XXX-XXX-CXXX)	(1)	96339	[SS]	② 242	"O" Ring (1/16" x 7/32" OD)	(1)	Y325-5	[B]
② 137	"O" Ring (1/16" x 2" OD)	(1)	Y325-32	[B]	② 243	"O" Ring (1/8" x 5/8" OD)	(1)	Y325-204	[B]
② 138	"U" Cup (3/16" x 1.792" OD)	(1)	95966	[B]	② 244	"O" Ring (1/8" x 7/8" OD)	(1)	Y325-208	[B]
② 139	"U" Cup (3/16" x 1-1/4" OD)	(1)	Y186-50	[B]					
140	Valve Insert	(1)	95650	[Ck]	① ②	Lubriplate FML-2 grease	(1)	94276	
141	Valve Plate	(1)	95659	[Ck]		Lubriplate Grease Packets (10)		637308	
⑥ ② 146	"O" Ring (3/32" x 1-1/16" OD)	(1)	Y325-118	[B]					
⑥ ② 147	"O" Ring (1/8" x 1/2" OD)	(2)	Y325-202	[B]					
⑦ ② 166	Track Gasket	(1)	94026	[B]					

#### MATERIAL CODE

[A] = Aluminum	[D] = Acetal
[B] = Nitrile	[I] = Iron
[Br] = Brass	[Sp] = Santoprene
[C] = Carbon Steel	[SS] = Stainless Steel
[Ck] = Ceramic	[U] = Polyurethane

### AIR MOTOR SECTION SERVICE

Service is divided into two parts - 1. Pilot Valve, 2. Major Valve.

#### GENERAL REASSEMBLY NOTES:

- Air Motor Section service is continued from Fluid Section repair.
- Inspect and replace old parts with new parts as necessary. Look for deep scratches on metallic surfaces, and nicks or cuts in "O" rings.
- Take precautions to prevent cutting "O" rings upon installation.
- Lubricate "O" rings with Lubriplate FML-2 grease.
- Do not over-tighten fasteners. Refer to torque specification block on view.
- Re-torque fasteners following restart.
- SERVICE TOOLS - To aid in the installation of (168) "O" rings onto the (167) pilot piston, use tool # 204130-T, available from ARO.

#### PILOT VALVE DISASSEMBLY

1. A light tap on (118) actuator pin should expose the opposite (121) sleeve, (167) pilot piston and other parts.
2. Remove (170) sleeve. Inspect inner bore of sleeve for damage.

#### PILOT VALVE REASSEMBLY

1. Clean and lubricate parts not being replaced from service kit.
2. Install new (171 and 172) "O" rings. Replace (170) sleeve.

① Items included in fluid section service kit, see pages 5 and 6.

⑥ Used on models PX30S-XXX-XXX-CXXX only.

⑦ Used on models PX30A-XXX-XXX-CXXX only.

3. Install new (168) "O" rings and (169) seal - **NOTE:** Lip direction. Lubricate and replace (167) pilot piston.
4. Reassemble remaining parts. Replace (173 and 174) "O" rings.

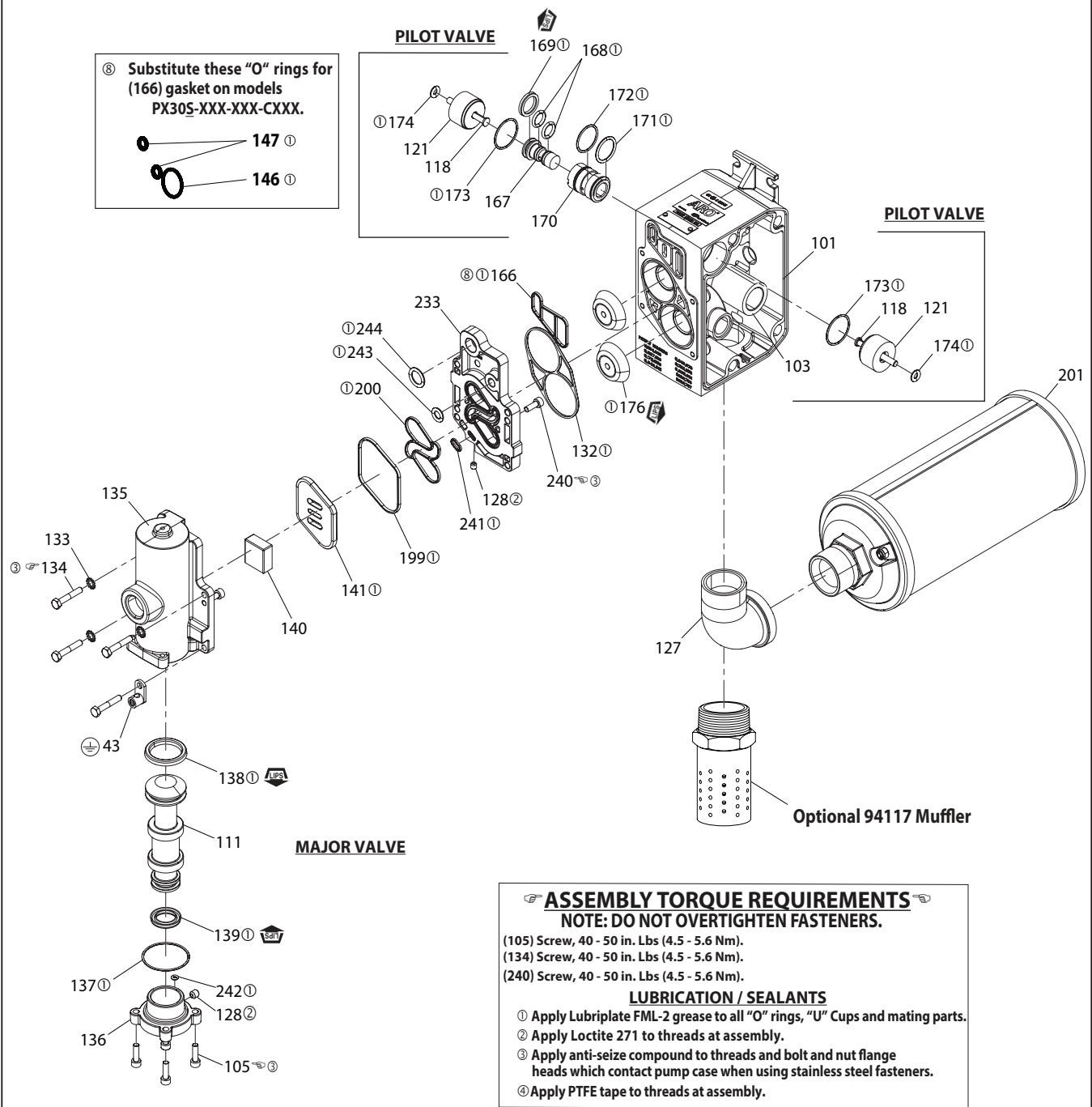
### MAJOR VALVE DISASSEMBLY

1. Remove (135) valve housing and (233) adapter plate, exposing (132 and 166) gaskets and (176) checks.
2. Remove (233) adapter plate, releasing (140) valve insert, (141) valve plate, (199, 200 and 241) gaskets and (243 and 244) "O" rings.
3. Remove (136) plug and (137) "O" ring, releasing (111) spool.

### MAJOR VALVE REASSEMBLY

1. Install new (138 and 139) "U" cups on (111) spool - **NOTE: LIPS MUST FACE EACH OTHER.**
2. Insert (111) spool into (135) valve housing.
3. Install (137 and 242) "O" rings on (136) plug and assemble plug to (135) valve housing, securing with (105) screws.
4. Install (140) valve insert, (141) valve plate, (199) gasket and (243 and 244) "O" rings into (135) valve housing. **NOTE:** Assemble (140) valve insert with "dished" side toward (141) valve plate. Assemble (141) valve plate with part number identification toward (140) valve insert.
5. Assemble (200 and 241) gaskets and (233) adapter plate to (135) valve housing, securing with (240) screws.
6. Assemble (132 and 166) gaskets and (176) checks to (101) center body.
7. Assemble (135) valve housing and components to (101) center body, securing with (134) screws.

# PARTS LIST / PX30X-XXX-XXX-CXXX AIR MOTOR SECTION



A replacement major valve service assembly is available separately, which includes the following:

**637374-2 for models PD30A-XXX-XXX-CXXX:** 105 (4), 111, 128 (2), 132, 133 (3), 134 (4), 135, 136, 137, 138, 139, 140, 141, 166, 176 (2), 199, 200, 233, 240 (2), 241, 242, 243 and 244.

**637374-3 for models PE30A-XXX-XXX-CXXX:** 76, 105 (4), 111, 128 (2), 132, 133 (3), 134 (4), 135, 136, 137, 138, 139, 140, 141, 166, 176 (2), 199, 200, 233, 240 (2), 241, 242, 243 and 244.

**637374-4 for models PD30S-XXX-XXX-CXXX:** 105 (4), 111, 128 (2), 132, 133 (3), 134 (4), 135, 136, 137, 138, 139, 140, 141, 146, 147, 176 (2), 199, 200, 233, 240 (2), 241, 242, 243 and 244.

**637374-5 for models PE30S-XXX-XXX-CXXX:** 76, 105 (4), 111, 128 (2), 132, 133 (3), 134 (4), 135, 136, 137, 138, 139, 140, 141, 146, 147, 176 (2), 199, 200, 233, 240 (2), 241, 242, 243 and 244.

Figure 3





---

## NOTES

---

---

## NOTES

---

---

**NOTES**

---