

SALES AND ENGINEERING DATA

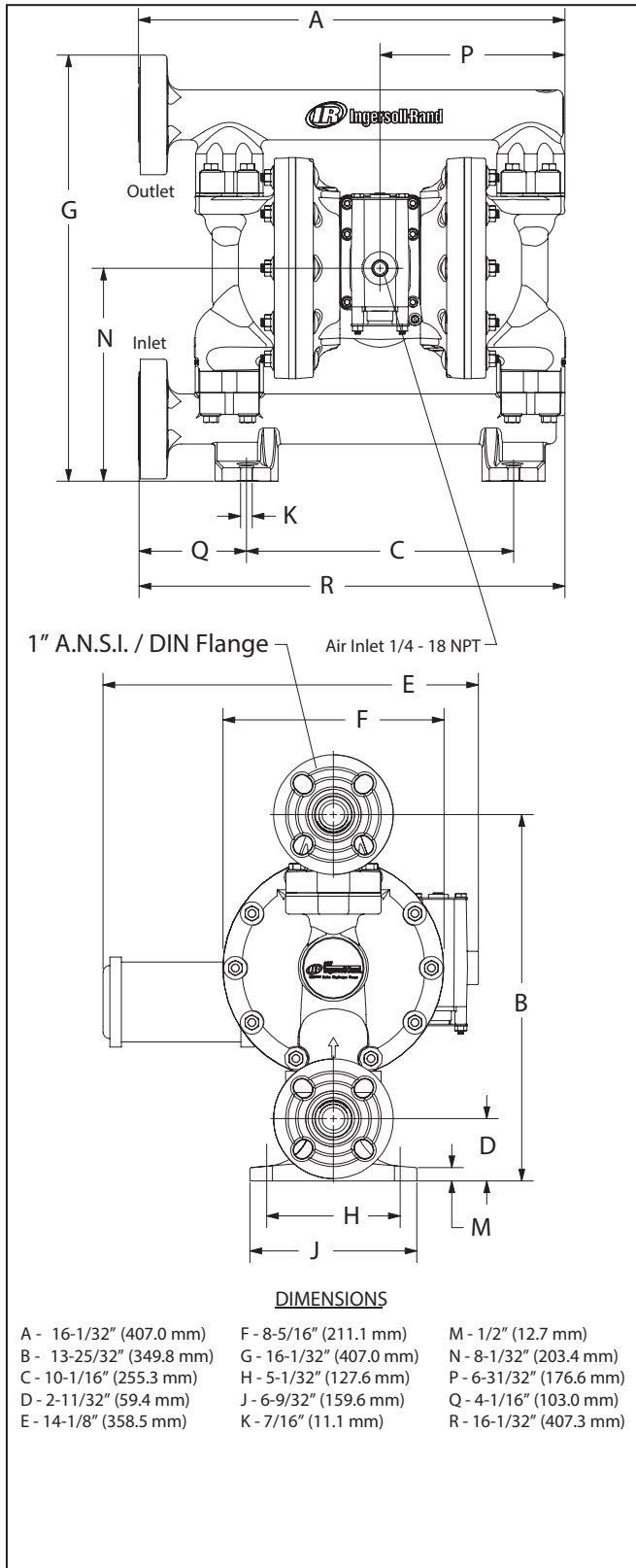
RATIO SERIES:	1:1
FLUID PSI RANGE:	20 - 120

PX10E-FES-XXX-AXXX PX10E-FNS-XXX-AXXX

RELEASED: 6-15-05
REVISED: 5-25-19
(REV: G) S-1371

1" CONDUCTIVE NON-METALLIC DIAPHRAGM PUMP

DIMENSIONAL DATA



SPECIFICATIONS

Model Series	PX10E-FXS-XXX
Pump Type	Non-Metallic, Air Operated, Double Diaphragm
Ratio	1:1
Material Inlet / Outlet	1" ANSI / DIN Flange
Air Inlet (female)	1/4 - 18 NPT
Air Exhaust (female)	3/4 - 14 NPT
Weight	
PX10E-FES-PXX	20.41 lbs (9.26 kgs)
PX10E-FNS-KXX	27.69 lbs (12.56 kgs)
Air Section Service Kit	637397
Major Air Valve Assembly	637395-X
Fluid Section Service Kit	637396-XX

PX10E - FXS - X ~~XX~~
637396 - ~~XX~~

Diaphragm
Ball

Example: Model # PD10E-FES-PAA
Fluid Section Service Kit is 637396-AA

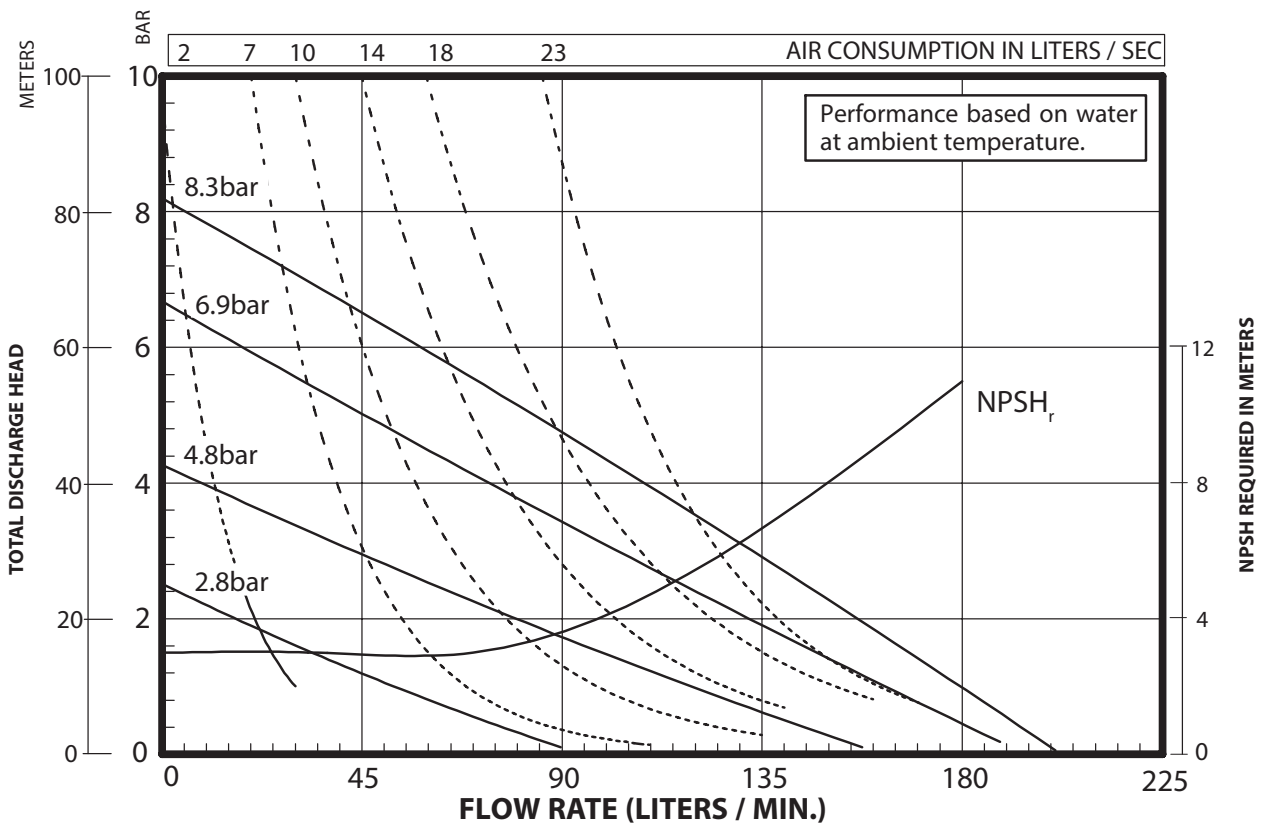
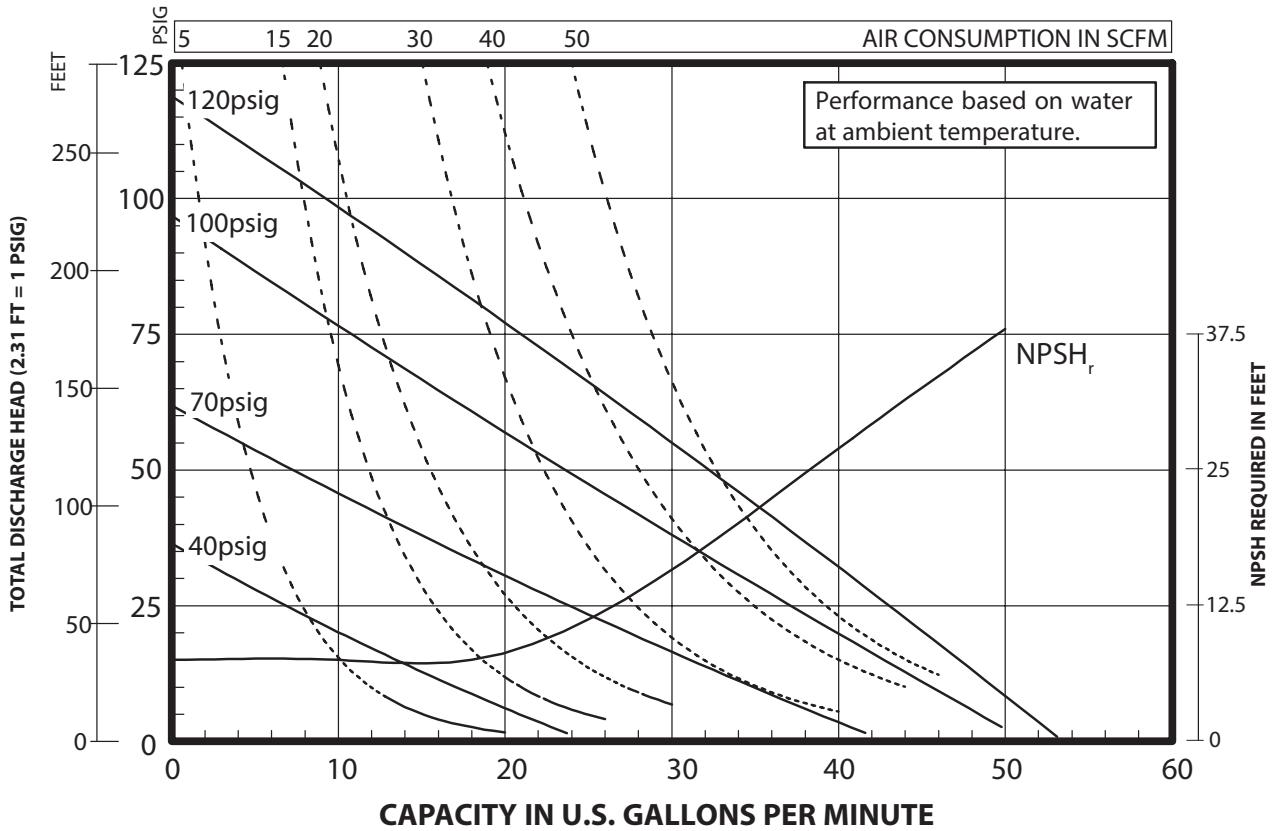
PERFORMANCE

Maximum Air Inlet Pressure	120 psig (8.3 bar)
Maximum Material Inlet Pressure ..	10 psig (0.69 bar)
Maximum Outlet Pressure	120 psig (8.3 bar)
Maximum Flow Rate (flooded inlet) ..	53.0 gpm (200.6 lpm)
Displacement / Cycle @ 100 psig ..	0.226 gal (0.86 lit)
Maximum Particle Size	1/8" dia (3.2 mm)
Maximum Temperature Limits (diaphragm / ball / seal / seat material)	
E.P.R. / EPDM	-60° to 280° F (-51° to 138° C)
Hytrel®	-20° to 180° F (-29° to 82° C)
Nitrile	10° to 180° F (-12° to 82° C)
Polypropylene	32° to 175° F (0° to 79° C)
PVDF (Kynar®)	10° to 200° F (-12° to 93° C)
Santoprene®	-40° to 225° F (-40° to 107° C)
PTFE	40° to 225° F (4° to 107° C)
Viton®	-40° to 350° F (-40° to 177° C)
Noise Level @ 70 psig, 60 cpm	79.7 dB(A)①

① The pump sound pressure level has been updated to an Equivalent Continuous Sound Level (LA_{eq}) to meet the intent of ANSI S1.13-1971, CAGI-PNEUROP S5.1 using four microphone locations.

PERFORMANCE CURVES

PX10E-FXS-XXX 1" CONDUCTIVE NON-METALLIC DIAPHRAGM PUMP



NOTE: Performance tested with 95845 Diaphragm Check Valve.