



15301799
Edition 1
March 2009

Filter Assembly

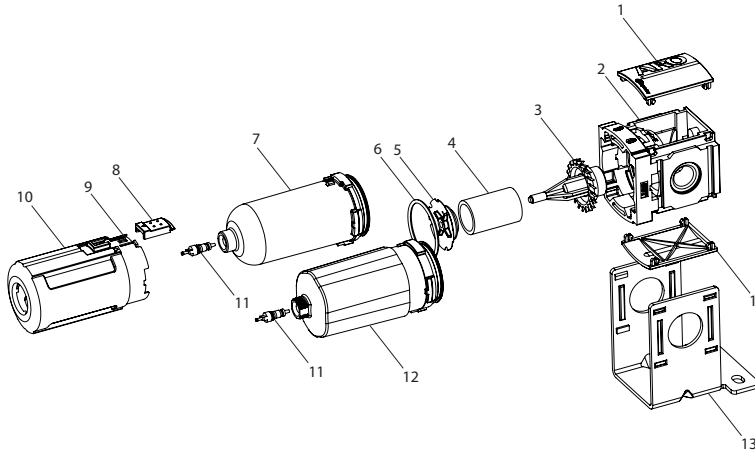
1000 Series

Parts Information



Save These Instructions

Filter Assembly 1000 Series F351X1-XXX Exploded Diagram

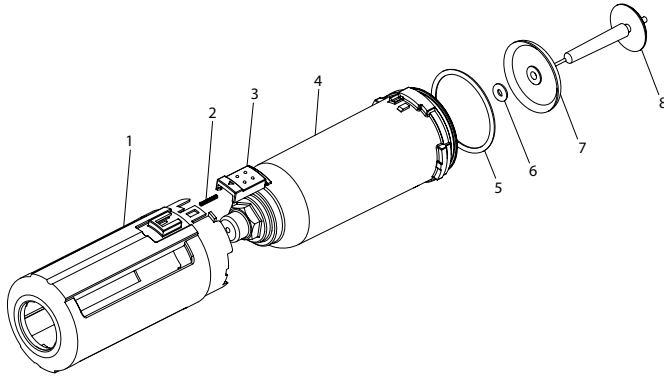


(Dwg. 15318587)

Filter Assembly 1000 Series F351X1-XXX Parts List

Item	Part Description	Material	Part Number
1	Filter Body Cover	Acetal	----
2	Filter Body	Aluminum	----
	1/8" BSP (F351A1-XXX)		----
	1/4" BSP (F351B1-XXX)		----
	1/8" NPT (F35111-XXX)		----
	1/4" NPT (F35121-XXX)	----	
3	Deflector	Acetal	----
4	Filter Element	Polyethylene	----
	0.3 Micron (F351X1-3XX)		104297
	5 Micron (F351X1-4XX)		104295
	40 Micron (N/A)		104296
5	Baffle	Acetal	----
6	Bowl O-Ring	Nitrile	----
7	Poly Bowl (Includes Items 6, 8, 9, 10 and Drain)	Polycarbonate	----
	Drain		----
	Manual Drain (F351X1-400)		104298
	Auto Drain (F351X1-401)		104299
	Manual Drain Coalescing (F351X1-300)		104459
	Auto Drain Coalescing (F351X1-301)	104460	
8	Lock Button (F351X1-X0X)	Acetal	----
9	Lock Button Spring (F351X1-X0X)	Stainless Steel	----
10	Bowl Guard	Acetal	----
	Manual Drain (F351X1-X00)		----
	Auto Drain (F351X1-X01)		----
11	Drain Valve (F351X1-XX0)	----	104294
12	Metal Bowl (Includes Item 6 and Drain)	Aluminum	----
	Drain		----
	Manual Drain (F351X1-X20)		104300
	Auto Drain (F351X1-X21)		104301
	Auto Drain (See Page 3) (F351X1-XX1)		----
	Filter Service Kit (Includes Item 6 and 11)	----	104468
13	C-Bracket	Steel	104407

Auto Drain Assembly 1000 Series Exploded Diagram



(Dwg. 15318637)

Auto Drain Assembly 1000 Series Parts List

Item	Part Description	Material	Part Number
1	Bowl Guard	Acetal	----
2	Lock Button Spring	Stainless Steel	----
3	Lock Button	Acetal	----
4	Poly Bowl	Polycarbonate	----
5	Bowl O-Ring	Nitrile	----
6	O-Ring		----
7	Cover		----
8	Drain Stem	Acetal	----

Parts and Maintenance

When the life of the product has expired, it is recommended that the product be disassembled, degreased and parts be separated by material so that they can be recycled.

Product repair and maintenance should only be carried out by an authorized Service Center.

Refer all communications to the nearest **Ingersoll Rand** Office or Distributor.

Related Documentation

For additional information refer to:

Safety Information Manual 15301765.

Product Information Manual 15301773.

Maintenance Information Manual 15301781.

Manuals can be downloaded from fluids.ingersollrand.com.

Part No: 100400-56

fluids.ingersollrand.com

© 2009 **Ingersoll Rand** Company

