

# SALES AND ENGINEERING DATA

RATIO SERIES: **1:1**

FLUID PSIG RANGE: **20 - 120**

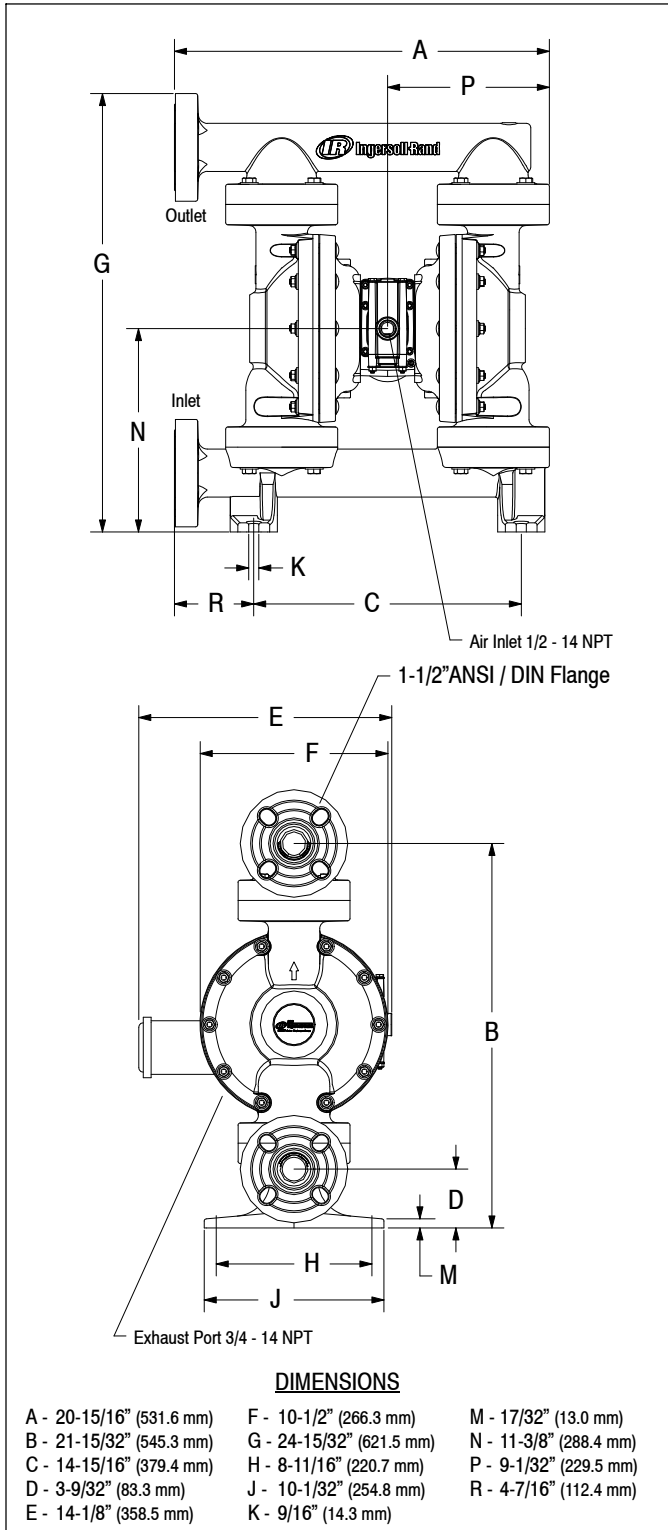
RELEASED: 6-16-05

REVISED: 5-25-18

(REV: F) S-1372

## PD15E-FES-PXX AND PE15E-FES-PXX-XXFX 1-1/2" CONDUCTIVE NON-METALLIC DIAPHRAGM PUMP

### DIMENSIONAL DATA



### SPECIFICATIONS

#### CONSTRUCTION

Model Series	PD15E-FES-PXX PE15E-FES-PXX-XXFX
Pump Type	Non-Metallic, Air Operated, Double Diaphragm
Ratio	1:1
Material Inlet / Outlet (female)	1-1/2" ANSI / DIN Flange
Air Inlet (female)	1/2 - 14 NPT
Air Exhaust (female)	3/4 - 14 NPT
Weight	43.14 lbs (19.57 kgs)
Air Section Service Kit	637389
Major Air Valve Assembly	637390-7
Fluid Section Service Kit	637391-XX

PD15E-FES-P    
637391 -    
Diaphragm Material  
Ball Material

EXAMPLE: Model # PD15E-FES-PAA  
Fluid Section Service Kit is 637391-AA

#### PERFORMANCE

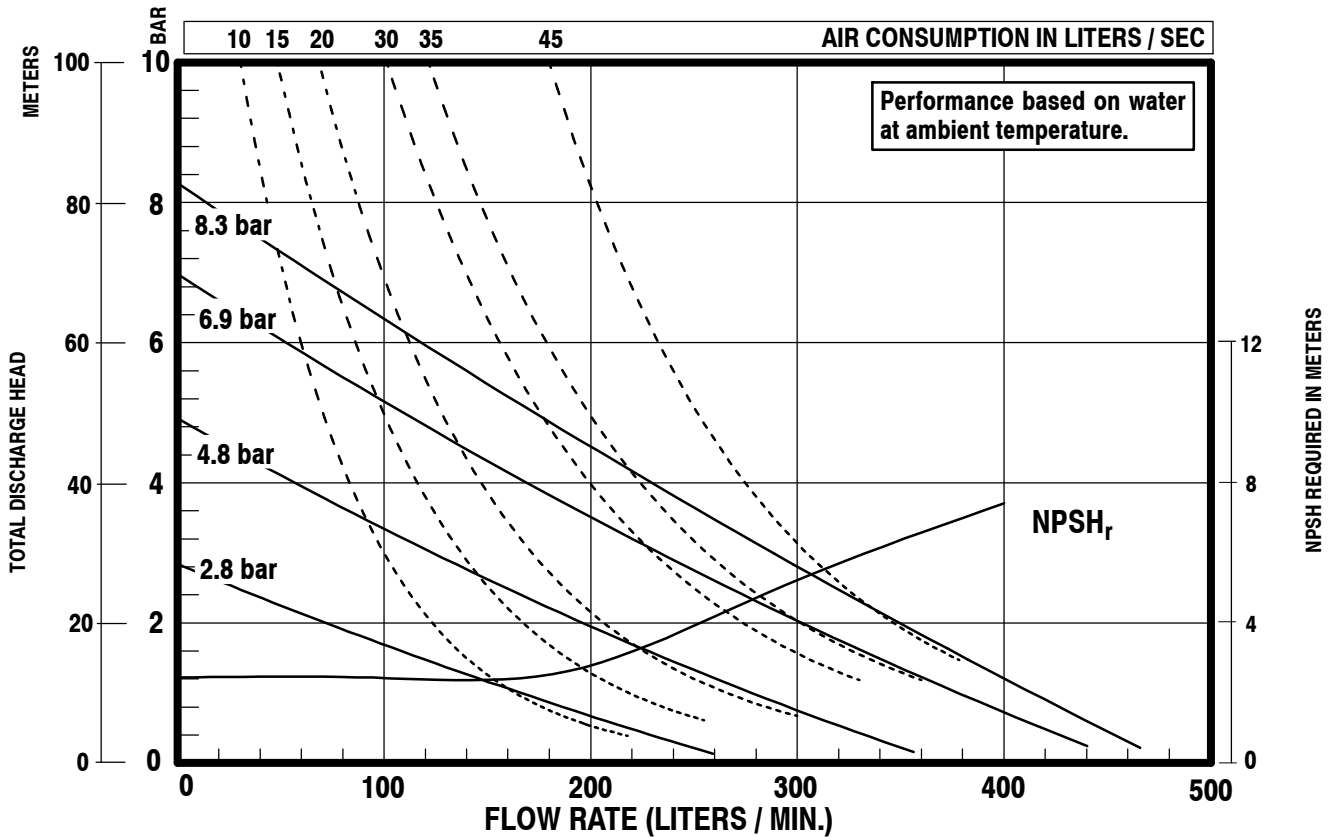
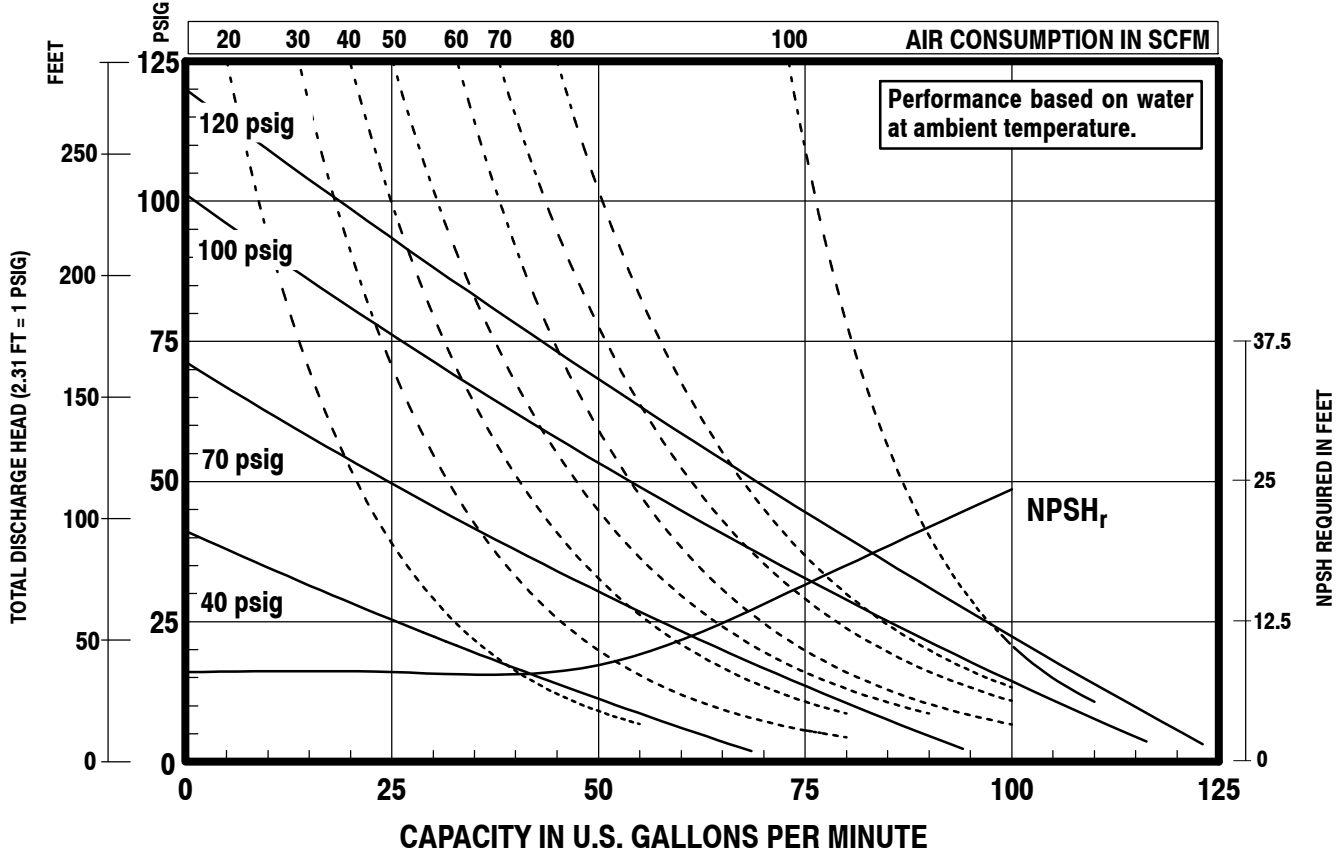
Air Inlet Pressure Range	20 - 120 psig (1.4 - 8.3 bar)
Maximum Material Inlet Pressure	10 psig (0.69 bar)
Fluid Pressure Range	20 - 120 psig (1.4 - 8.3 bar)
Maximum Flow Rate (flooded inlet)	123.1 gpm (465.9 lpm)
Displacement / Cycle @ 100 psig	0.617 gal. (2.34 lit.)
Maximum Particle Size	1/4" dia. (6.4 mm)
Maximum Temperature Limits (diaphragm / ball / seat material)	
E.P.R. / EPDM	-60° to 280° F (-51° to 138° C)
Hytrel®	-20° to 180° F (-29° to 82° C)
Nitrile	10° to 180° F (-12° to 82° C)
Polypropylene	35° to 175° F (2° to 79° C)
Santoprene®	-40° to 225° F (-40° to 107° C)
PTFE	40° to 225° F (4° to 107° C)
Viton®	-40° to 350° F (-40° to 177° C)
Noise Level @ 70 psig - 60 cpm	81.0 dB(A) <sup>①</sup>

① The pump sound pressure level has been updated to an Equivalent Continuous Sound Level (LA<sub>eq</sub>) to meet the intent of ANSI S1. 13-1971, CAGI-PNEUROPS 5.1 using four microphone locations.

NOTE: Performance tested with 95845 Diaphragm Check Valve.

**PERFORMANCE CURVES**

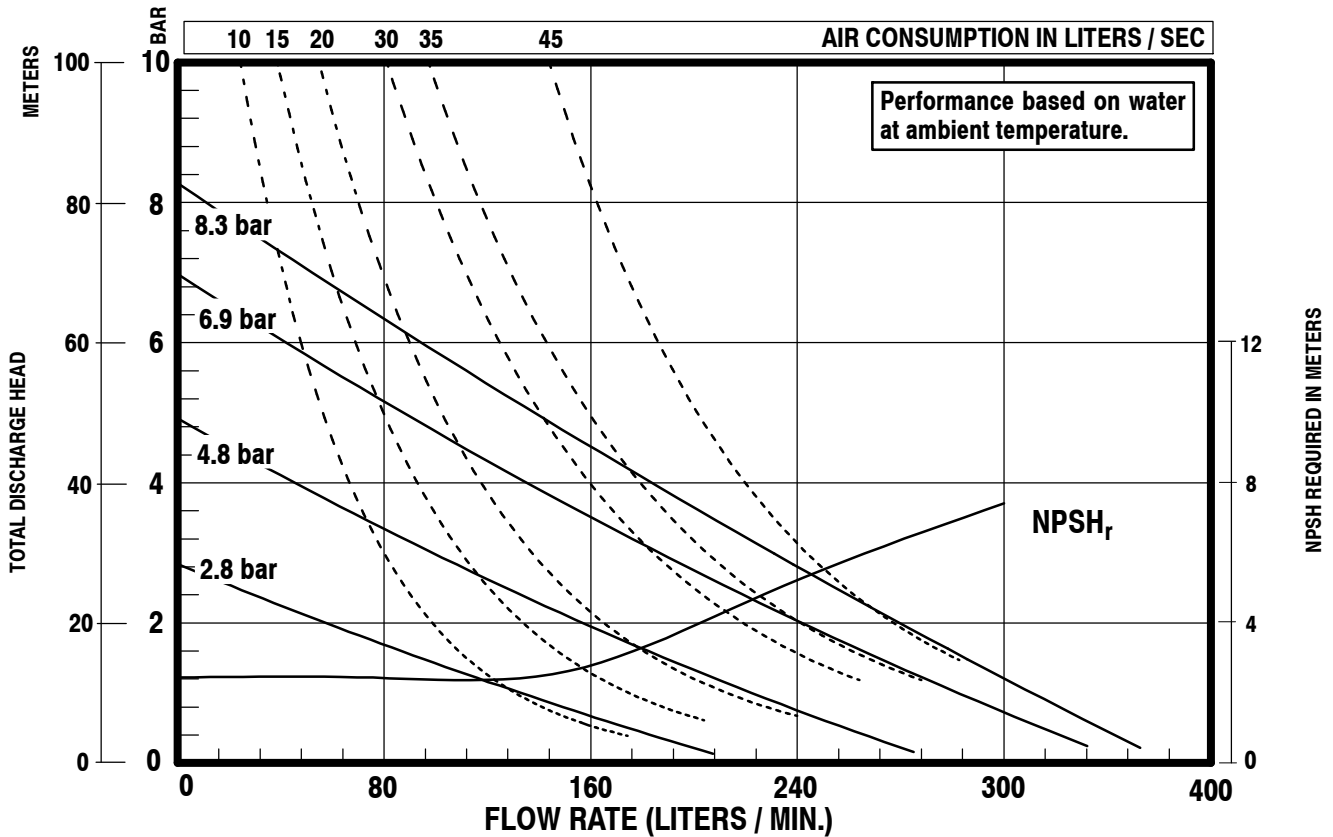
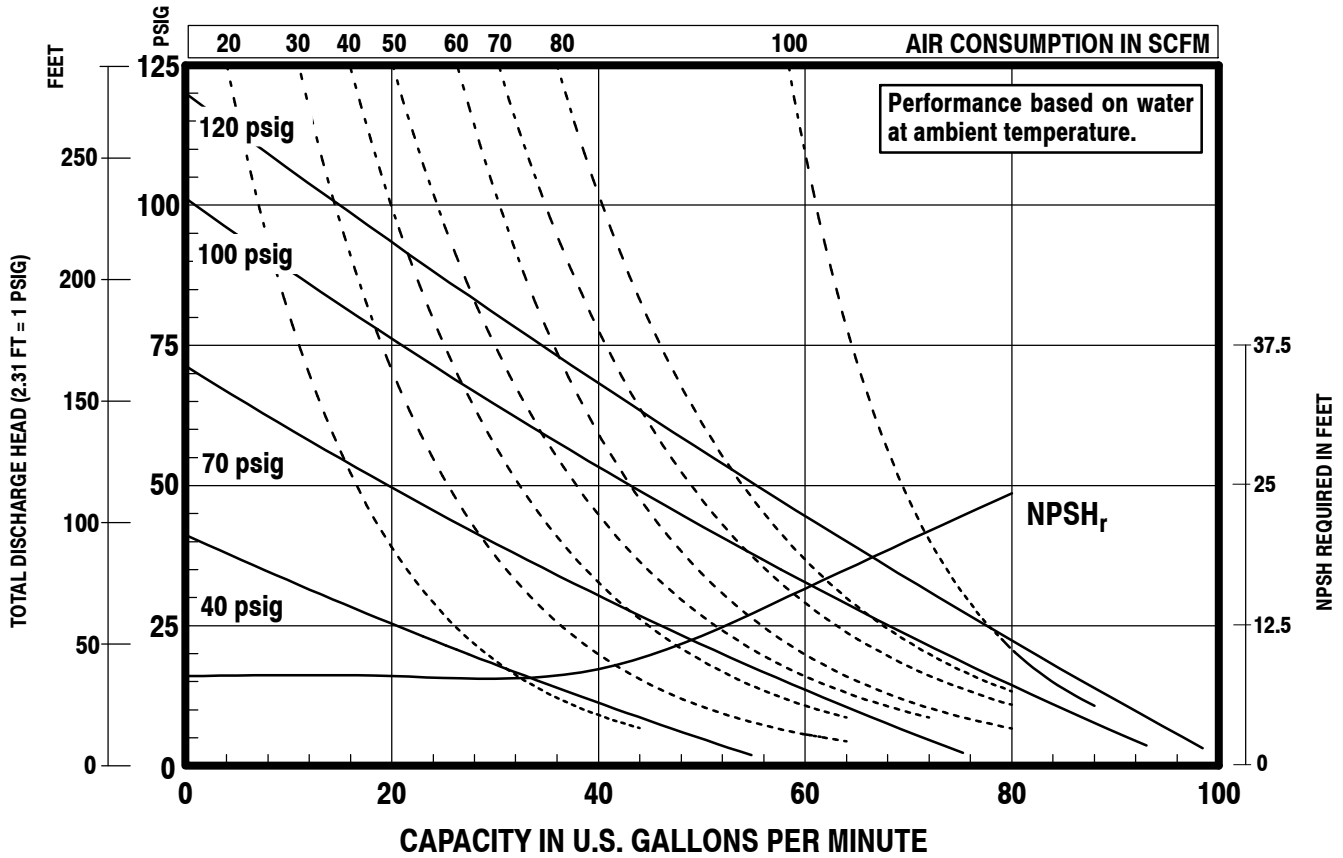
**PX15E-FES-PXX 1-1/2" CONDUCTIVE NON-METALLIC DIAPHRAGM PUMP**



NOTE: Performance tested with 95845 Diaphragm Check Valve.

# PERFORMANCE CURVES

## PE15E-FES-PXX-XXFX 1-1/2" CONDUCTIVE NON-METALLIC DIAPHRAGM PUMP



NOTE: Performance tested with 95845 Diaphragm Check Valve.

