



15301955
Edition 3
April 2010

Regulator Assembly

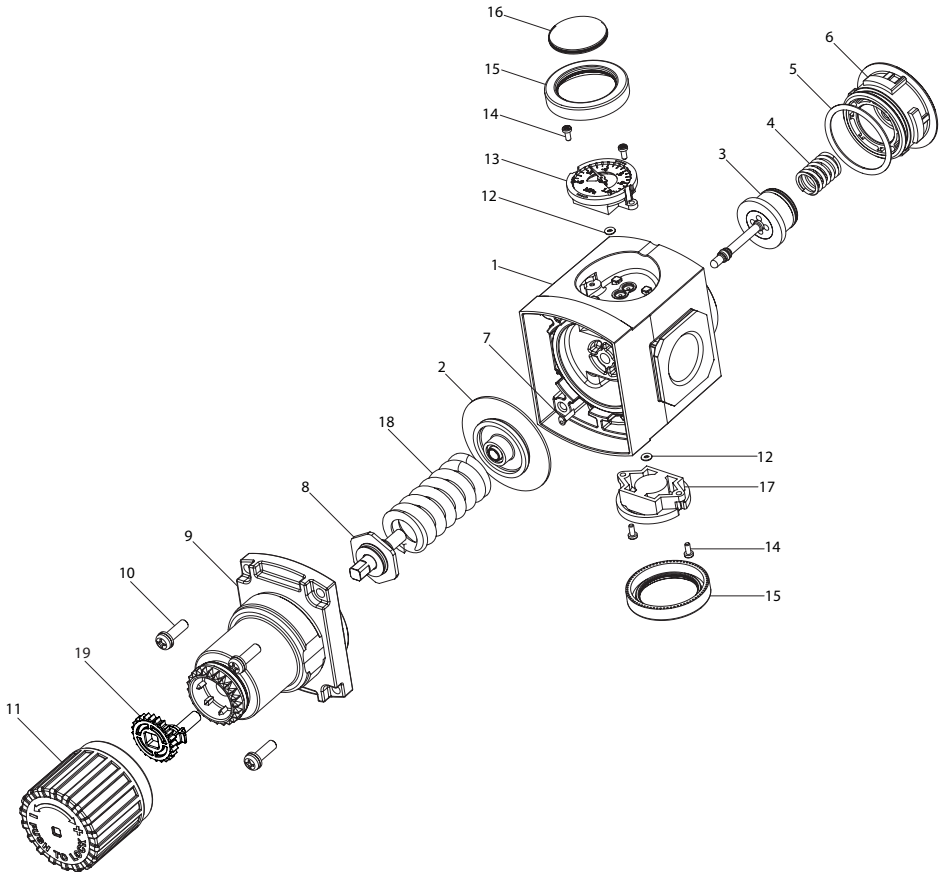
3000 Series

Parts Information



Save These Instructions

Regulator Assembly 3000 Series R374X1-XXX Exploded Diagram

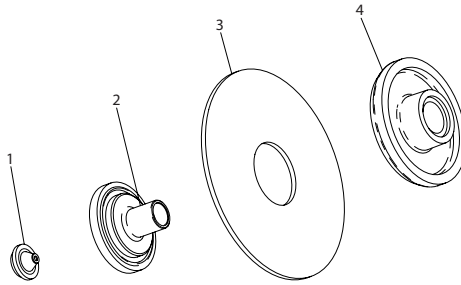


(Dwg. 15321995)

Regulator Assembly 3000 Series R374X1-XXX Parts List

Item	Part Description	Material	Part Number	Item	Part Description	Material	Part Number
1	Regulator Body	Aluminum	---	14	Block Cover Bolt	Steel	---
	3/4" NPT (R37451-XXX)		---	15	Cover Ring	Nylon	---
	1" NPT (R37461-XXX)		---	16	Gauge Cover	Polycarbonate	---
	3/4" BSP (R374E1-XXX)		---	17	Block Cover	Nylon	---
	1" BSP (R374F1-XXX)	---	18	Adjusting Spring			
2	Diaphragm Assembly	---	---	0-30 psi (R374X1-4XX)	Steel	104534	
3	Valve Assembly	---	---	0-50 psi (R374X1-2XX)		104456	
4	Valve Spring	Stainless Steel	---	5-125 psi (R374X1-1XX, R374X1-6XX)		104457	
5	Valve Guide "O" Ring	Nitrile	---	10-250 psi (R374X1-3XX)		104458	
6	Valve Guide	Nylon	---	19	Tamper Kit		104455
7	Static Pressure Tube	Acetal	---		Service Kit (R374X1-X0X) (Relieving: Includes Items 2, 3, 4, 5, 6)	---	104453
8	Adjusting Assembly	---	---		Service Kit (R374X1-X2X) (Non-Relieving: Includes Items 2, 3, 4, 5, 6)	---	104454
9	Bonnet	Aluminum	---				
10	Bonnet Screw	Steel	---				
11	Handle	Acetal	---				
12	Gauge "O" Ring	Nitrile	---				
13	Flush Type Gauge						
	0-140 psi (R374X1-6XX)	---	104334				

Diaphragm Assembly 3000 Series R374X1-XXX Exploded Diagram

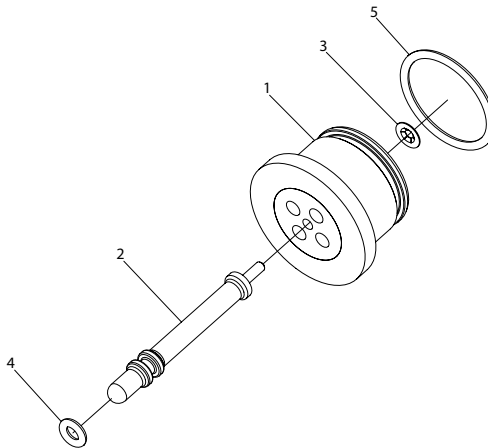


(Dwg. 15322043)

Diaphragm Assembly 3000 Series R374X1-XXX Parts List

Item	Part Description	Material	Part Number
1	Relief Valve Seat	Nitrile	---
2	Relief Valve	Zinc	---
3	Diaphragm	Nitrile+Nylon	---
4	Diaphragm Shell	Aluminum	---

Valve Stem Assembly 3000 Series R374X1-XXX Exploded Diagram

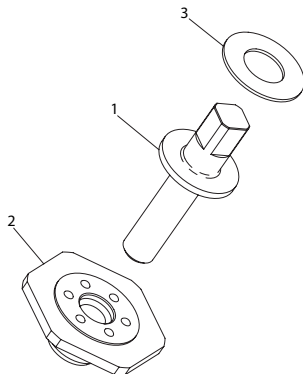


(Dwg. 15322050)

Valve Stem Assembly 3000 Series R374X1-XXX Parts List

Item	Part Description	Material	Part Number
1	Valve Assembly	Nitrile+Nylon	---
2	Stem	Brass	---
3	Pushnut	Spring Steel	---
4	Stem "O" Ring		---
5	Valve "O" Ring	Nitrile	---

Adjusting Assembly 3000 Series R374X1-XXX Exploded Diagram



(Dwg. 15322068)

Adjusting Assembly 3000 Series R374X1-XXX Parts List

Item	Part Description	Material	Part Number
1	Adjusting Bolt	Steel	---
2	Adjusting Nut		---
3	Lining	PTFE	---

Parts and Maintenance

When the life of the tool has expired, it is recommended that the tool be disassembled, degreased and parts be separated by material so that they can be recycled.

Tool repair and maintenance should only be carried out by an authorized Service Center.

Refer all communications to the nearest **Ingersoll Rand** Office or Distributor.

Related Documentation

For additional information refer to:

Product Safety Information Manual 15301765.

Product Information Manual 15301773.

Maintenance Information Manual 15301781.

Manuals can be downloaded from fluids.ingersollrand.com.

Part No. 100400-72

fluids.ingersollrand.com

© 2010 **Ingersoll Rand** Company

