

OPERATOR'S MANUAL

670266-A

INCLUDE MANUAL: SB20X-XXX-X 2" Shock Blocker (97999-866)

RELEASED: 4-27-21
(REV: A)

670266-A

SPECIAL 2" SHOCK BLOCKER (METALLIC PULSATION DAMPENER)

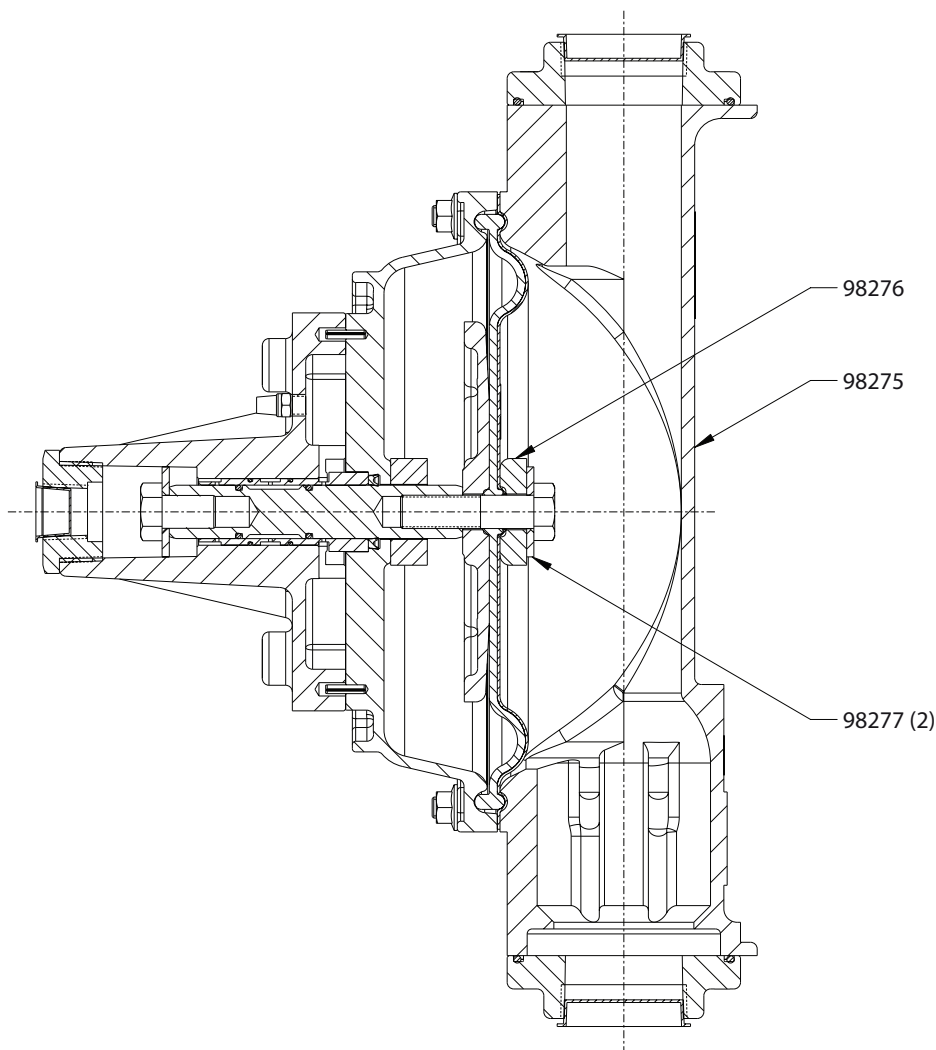
GENERAL DESCRIPTION

The 670266-A special 2" shock blocker (pulsation dampener) are similar to models SB20S-BSS-T shock blocker (pulsation dampener).

A SB20X-XXX-X Operator's Manual (97999-866) is to be used for General Information, Installation, Operation and Maintenance. Follow the standard parts list with the exception of the items listed below.

SERVICE KITS

637330-2T for repair of the diaphragms and "O" rings.



PN 97999-1950

INGERSOLL RAND COMPANY INC

209 NORTH MAIN STREET – BRYAN, OHIO 43506

① (800) 495-0276 • FAX (800) 892-6276

© 2021

arozone.com

ARO**IR** Ingersoll Rand®