

SALES AND ENGINEERING DATA

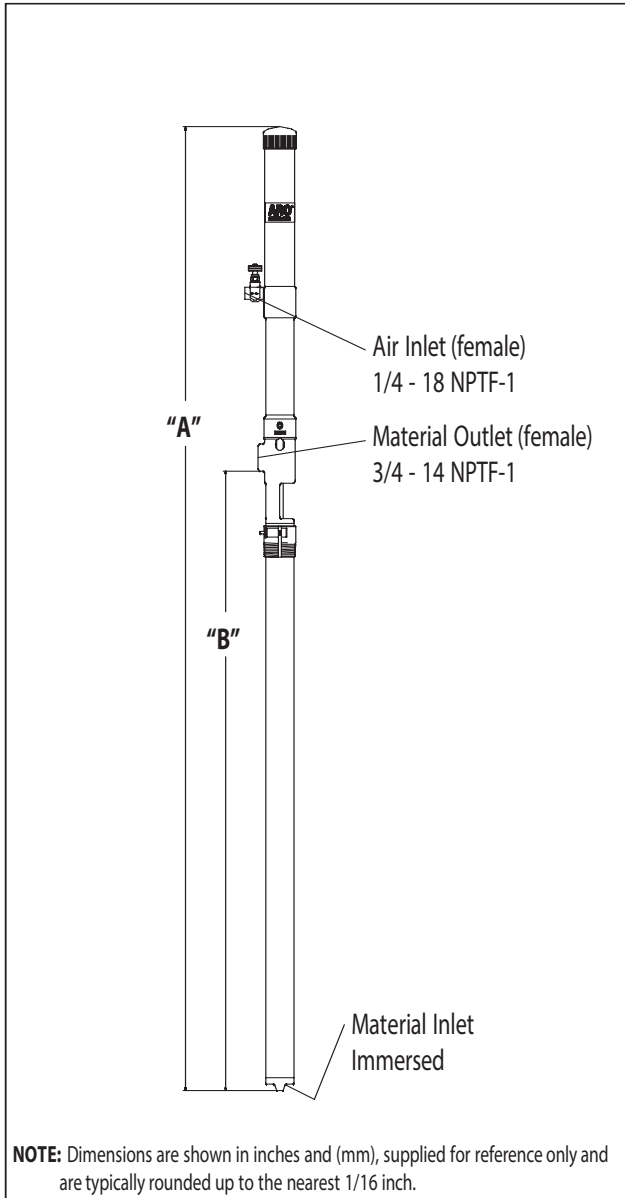
RATIO: 1:1
SERIES:

FLUID PSIG: 0 - 150
RANGE:

RELEASED: 2-6-02
REVISED: 7-14-17
(REV: D) S-990

61204X-X TRANSFER PUMP

DIMENSIONAL DATA



MODEL	"A" (mm)	"B" (mm)
612041-X	54" (1371.6)	34-5/8" (879.5)
612042-X	64-1/4" (1631.9)	44-7/8" (1139.8)

SPECIFICATIONS

CONSTRUCTION

Model Series (refer to option chart)	61204X-X
Pump Type	Air Operated, Transfer Pump
Ratio	1:1
Air Motor	
Motor Repair Kit	637084
Motor Diameter	2" (5.08 cm)
Stroke	6" (15.24 cm)
Air Inlet (female)	1/4 - 18 NPTF - 1
Lower Pump End Series	
Lower Pump Repair Kit	
61204X-1 and -4	637081
612041-3	637083
Material Inlet	Immersed
Material Outlet (female)	3/4 - 14 NPTF - 1

MATERIALS OF CONSTRUCTION

Outlet Body	Aluminium
Cylinder	Carbon Steel
Plunger	Carbon Steel
Upper Packing	
61204X-1 and -4	Nitrile
612041-3	PTFE
Lower Packing	
61204X-1 and -4	Nitrile
612041-3	PTFE
Inlet Body	Cast Iron
Weight ... 612041-X	13 lbs (5.9 kgs)
612042-1	14 lbs (6.4 kgs)

PERFORMANCE

Air Inlet Pressure Range	0 - 150 psig (0 - 10.3 bar)
Fluid Pressure Range	0 - 150 psig (0 - 10.3 bar)
Maximum Rec'd Cycles / Minute	75
Displacement Per Cycle	18.8 In ³ (308 cc)
Cycles Per Gallon	12.3
Flow @ 75 Cycles / Minute	6.1 gpm (23.1 lpm)
Noise Level @ 60 psig - 40 cpm	77.8 dB(A) ①

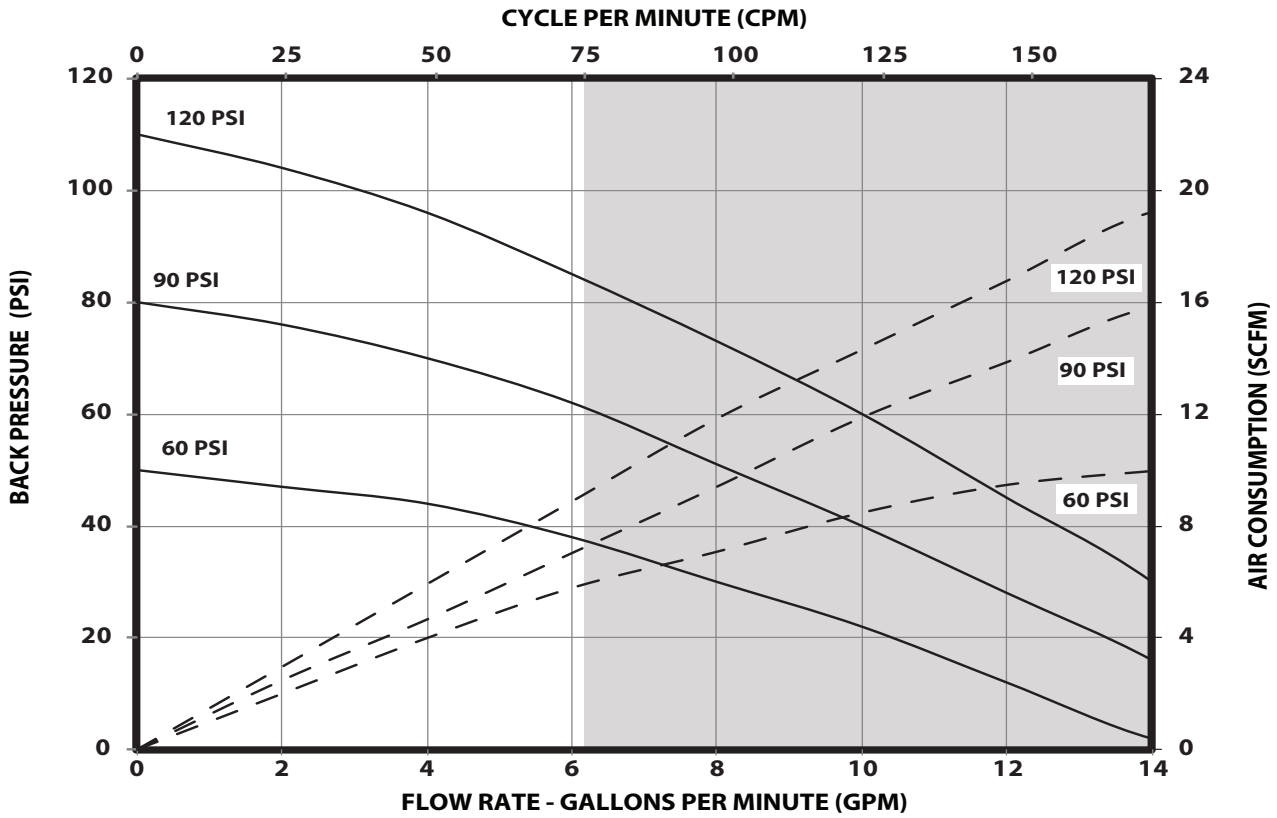
① The pump sound pressure level has been updated to an Equivalent Continuous Sound Level (LAeq) to meet the intent of ANSI S1. 13-1971, CAGI-PNEUROP S5.1 using four microphone locations.

ACCESSORIES:

61113 Wall Mount Bracket

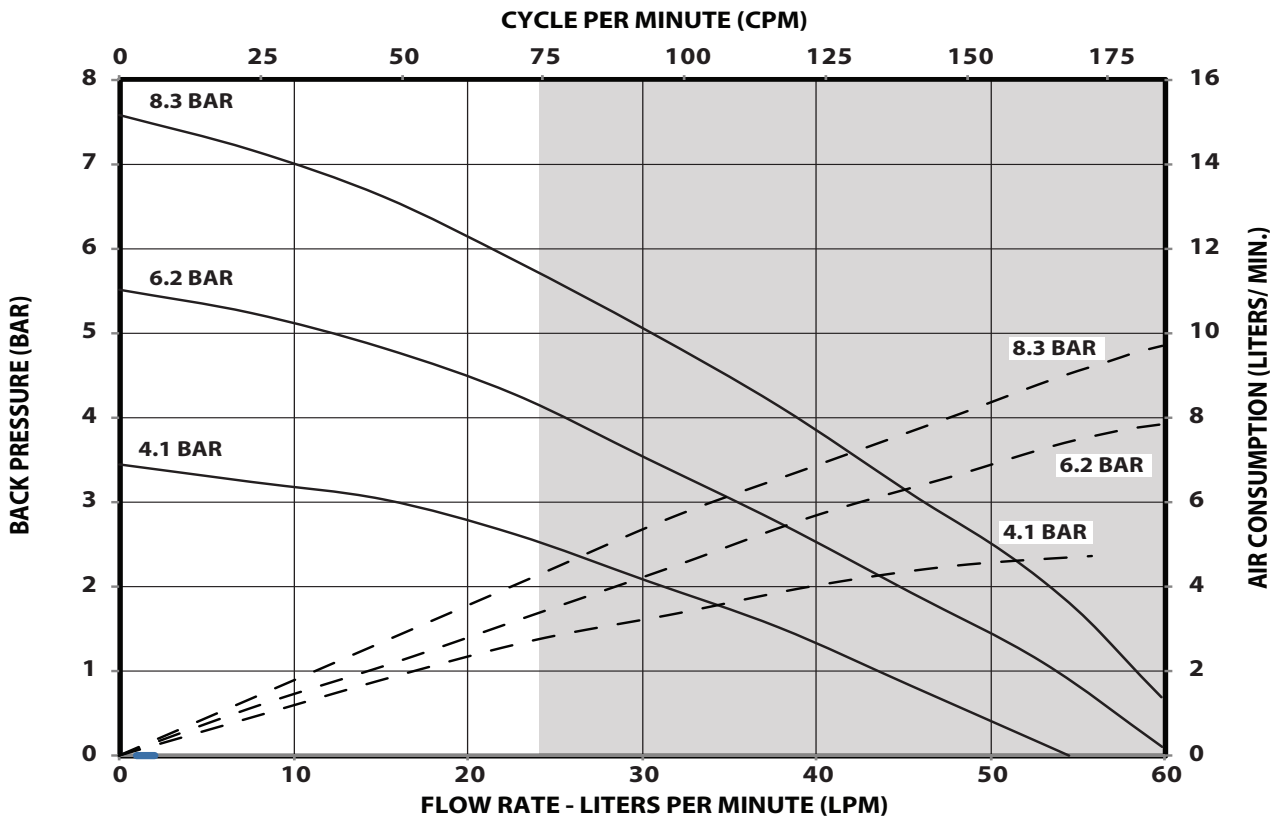
PERFORMANCE CURVES

PERFORMANCE BASED ON 30wt. OIL (100cSt) AT 40°C TEMPERATURE



NOTE: NON SHADED AREA OF THE GRAPH REPRESENTS RECOMMENDED OPERATING RANGE

PERFORMANCE BASED ON 30wt. OIL (100cSt) AT 40°C TEMPERATURE



NOTE: NON SHADED AREA OF THE GRAPH REPRESENTS RECOMMENDED OPERATING RANGE