

INSTALLATION AND SERVICE INSTRUCTION SHEET

59895 59899 59922
59896 59990 59923
59897 59920 59924
59898 59921 59925

FLEX 6 MODELS

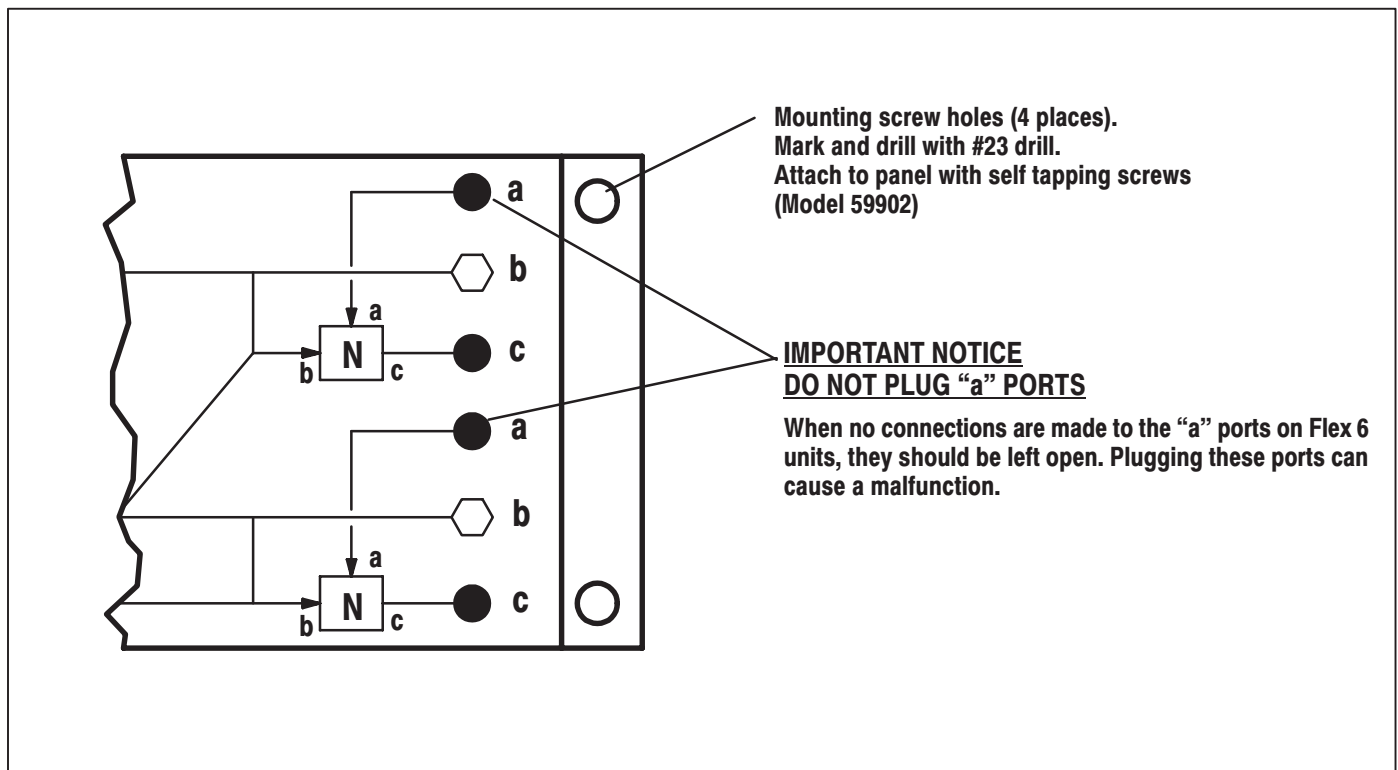
RELEASED: 4-27-94
REVISED: 1-16-04
(REV. 02)

INSTALLATION INSTRUCTIONS

Operating Pressure Range 50 - 125 p.s.i.g. (3.4 - 8.6 bar)
Operating Temperature Range 32° - 160° F (0° - 71° C)
Recommended Filtration 40 micron or better
Lubrication Not required or recommended
Moisture: For maximum repeatability of timing functions, a dry air supply is recommended.

SERVICE INSTRUCTIONS

- Before replacing a Flex 6 unit, check all input signals to be sure that their pressures equal the supply pressure.
- Repair all leaks that would contribute to a pressure loss.
- Make sure all connections are to original design specifications.
- Flex 6 units are not field repairable. Replace with a new unit.



PN 58999-1

INGERSOLL-RAND COMPANY
P.O. BOX 151 • ONE ARO CENTER • BRYAN, OHIO 43506-0151
☎ (419) 636-4242 • FAX (419) 633-1674

©2004 CCN 99448128

