

SALES AND ENGINEERING DATA

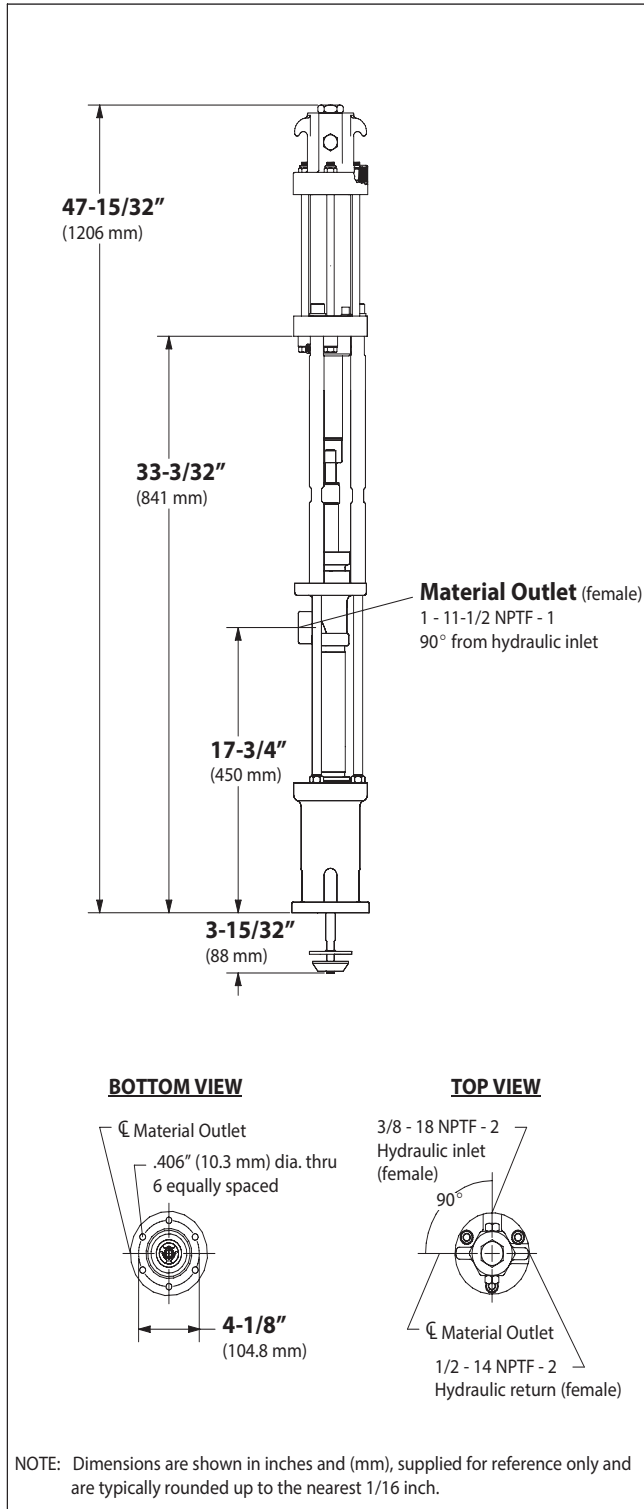
RATIO: **2:1**
SERIES:

FLUID PSIG: **100 - 2400**
RANGE:

650934-XX3-C EXTRUSION PUMP

RELEASED: 9-24-01
REVISED: 8-18-17
(REV: G) S-1070

DIMENSIONAL DATA



SPECIFICATIONS

CONSTRUCTION

Model Series (refer to option chart) 650934-XX3-C
Pump Type Hydraulically Operated,
Extrusion, Double Acting Pump
Ratio 2:1
Hydraulic Motor 67147-B
Motor Repair Kit 637449
Motor Size 2.062 sq." (13.3 sq. cm)
Stroke 6" (15.2 cm)
Hydraulic Inlet (female) 3/8 - 18 NPTF - 2
Hydraulic Return (female) 1/2 - 14 NPTF - 2
Lower Pump End Series 66243-XX3-B
Lower Pump Repair Kit 637071-X43-B
Packing Options:

3 - Glass filled PTFE
C - UHMW-PE
G - UHMW-PE / Leather staggered
P - UHMW-PE / Glass filled PTFE staggered upper • UHMW-PE lower
R - Glass filled PTFE / UHMW-PE staggered upper • Glass filled PTFE lower

Material Outlet (female) 1 - 11-1/2 NPTF - 1

MATERIALS OF CONSTRUCTION

Outlet Body Ductile Iron, Nickel plated
Cylinder Carbon Steel, Nickel plated
Plunger 17-4 SS, Chrome plated
Upper Check 440 Stainless Steel
Upper Seat 440 Stainless Steel
Lower Check 440 Stainless Steel
Lower Seat 440 Stainless Steel
Inlet Body Ductile Iron, Nickel plated
Weight 62.4 lbs (28.3 kgs)

PERFORMANCE

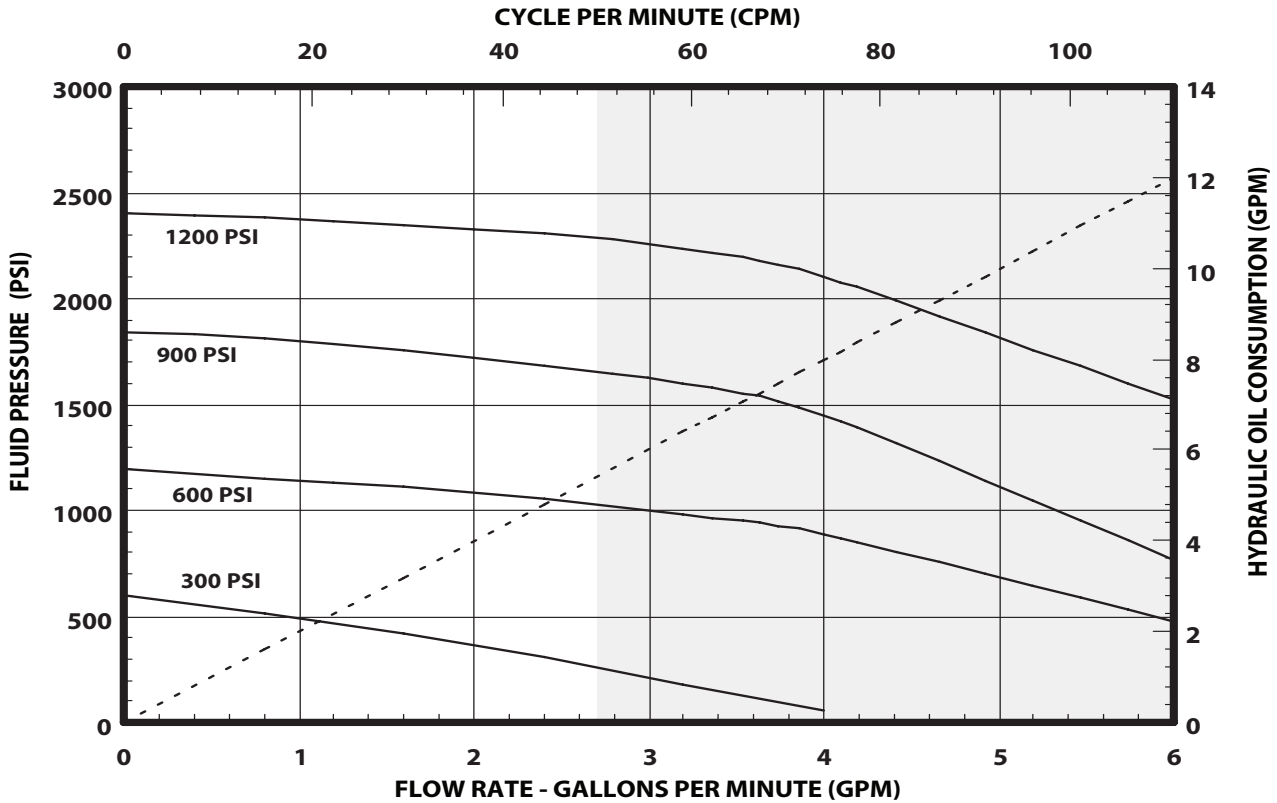
Hydraulic Inlet Pressure Range 50 - 1200 psig (3.4 - 82.8 bar)
Fluid Pressure Range 100 - 2400 psig (6.9 - 165.5 bar)
Required H-power @ 50 cpm 3.2 @ 1200 psig (82.8 bar)
Hydraulic flow required @ 50 cpm 4.9 gpm (18.5 lpm)
Maximum rec'd Cycles / Minute 50
Displacement Per Cycle 12.5 In³ (205 cc)
Cycles Per Gallon 18.5
Flow @ 50 Cycles / Minute 2.7 gpm (10.2 lpm)
Noise Level N / A
Maximum Temperature Limit 130° F (54° C)

ACCESSORIES:

61937-1 Wall Bracket
65138 Floor Mounting Flange

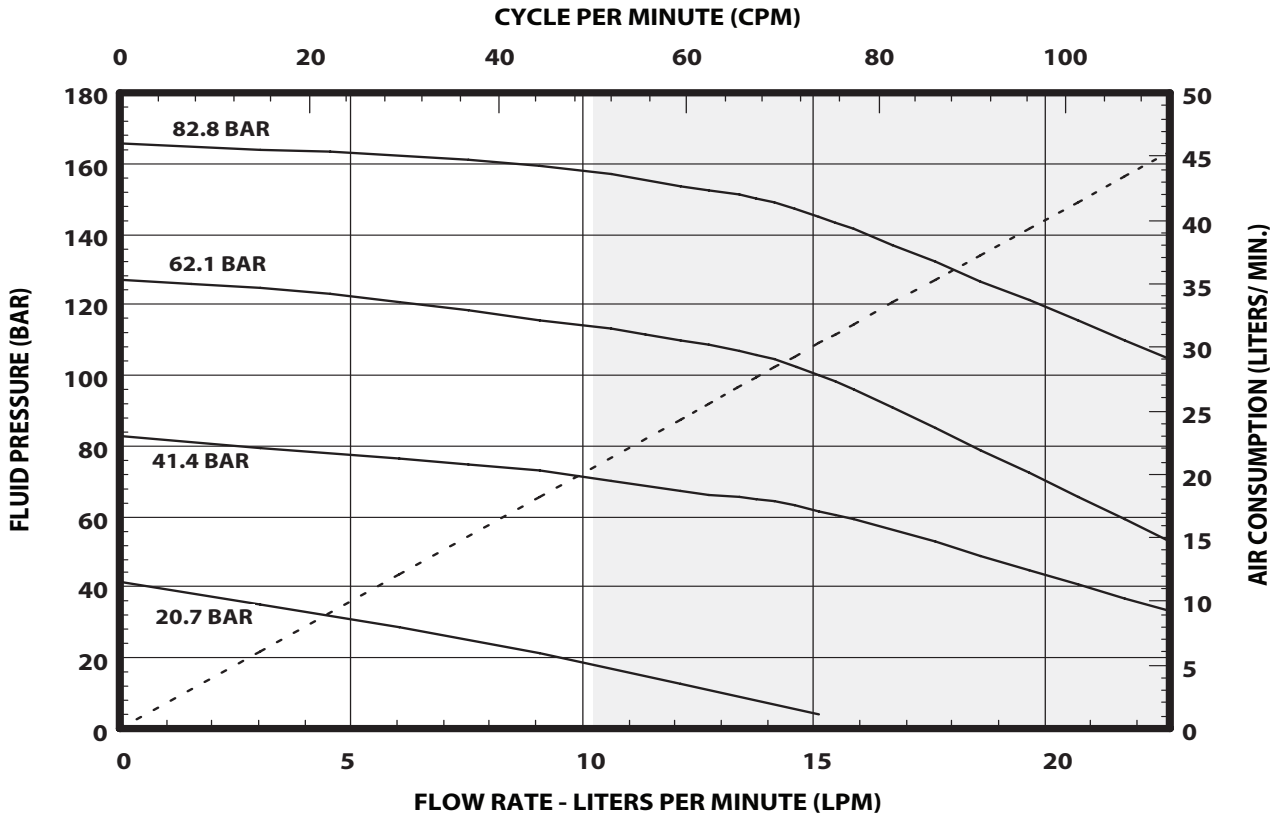
PERFORMANCE CURVES

PERFORMANCE BASED ON 30wt. OIL (100cSt) AT 40°C TEMPERATURE



NOTE: NON SHADED AREA OF THE GRAPH REPRESENTS RECOMMENDED OPERATING RANGE

PERFORMANCE BASED ON 30wt. OIL (100cSt) AT 40°C TEMPERATURE



NOTE: NON SHADED AREA OF THE GRAPH REPRESENTS RECOMMENDED OPERATING RANGE