

OPERATOR'S MANUAL & SALES AND ENGINEERING DATA

INCLUDING: SPECIFICATIONS, SERVICE KITS, GENERAL INFORMATION, PARTS, TROUBLESHOOTING.
 INCLUDE MANUAL: AF044X-XX AIR MOTOR (97999-1466) & S-632 GENERAL INFORMATION (PN 97999-624).

RELEASED: 9-15-10
 REVISED: 9-27-19
 (REV: F)

4-1/4" AIR MOTOR
50:1 RATIO
1500 - 7500 PSIG RANGE

AF0450LXXXXXX-XX-X
BASIC GREASE PUMP



**READ THIS MANUAL CAREFULLY BEFORE INSTALLING,
 OPERATING OR SERVICING THIS EQUIPMENT.**

It is the responsibility of the employer to place this information in the hands of the operator. Keep for future reference.

SERVICE KITS

- Use only genuine ARO® replacement parts to assure compatible pressure rating and longest service life.
- **65130** Packing Kit.
- **637489** for Air Motor Service Only.

SPECIFICATIONS

Model Series AF0450LXXXXXX-XX- X
Type Air Operated, Grease Pump
Ratio 50:1
Air Motor Diameter 4-1/4" (10.8 cm)
Stroke 4" (10.2 cm)
Air Inlet 1/2 - 14 NPTF - 1
Material Outlet 1/2 - 14 NPTF - 1
Dimensional Data See Chart

PERFORMANCE

Air Inlet Pressure Range 30 - 150 psig (2 - 10.3 bar)
Fluid Pressure Range 1500 - 7500 psig (103 - 517 bar)
Maximum
Rec'd Speed (Continuous) 75 cycles/min
Flow Rate @ 75
cycles per min 5.7 lbs/min (0.76 gpm)
Displacement per cycle 2.31 In³ (37.9 cc)

GENERAL DESCRIPTION

These ARO pumps are designed to handle heavy greases and oils.

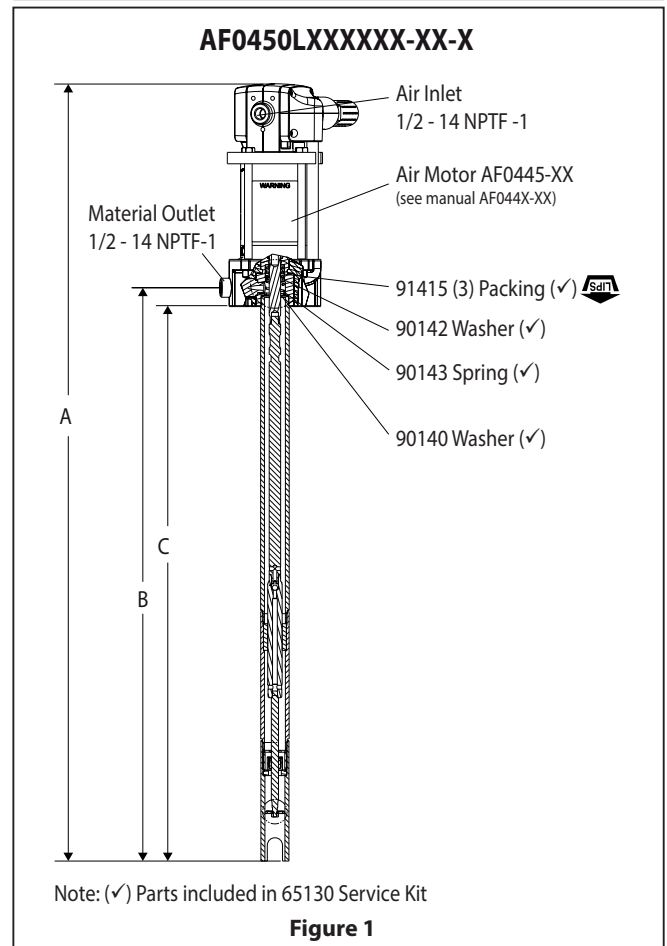
IMPORTANT

**This is one of three documents which support the pump.
 Replacement copies of these forms are available upon request.**

- AF0450LXXXXXX-XX-X** MODEL OPERATOR'S MANUAL
 (PN 97999-1502)
- AF044X-XX** AIR MOTOR OPERATOR'S MANUAL
 (PN 97999-1466)
- S-632** GENERAL INFORMATION AIR/ HYDRAULIC OPERATED
 PISTON PUMPS (PN 97999-624)

**⚠ WARNING READ THE GENERAL INFORMATION MANUAL
 INCLUDED FOR ADDITIONAL OPERATING AND SAFETY
 PRECAUTIONS AND OTHER IMPORTANT INFORMATION.**

PUMP DATA



Note: Dimensions are shown in inches and mm are supplied for reference only.

	"A" (mm)	"B" (mm)	"C" (mm)	Container Suitability
AF0450L2	35.082" (891)	21.691" (551)	20.519" (521.1)	5 Gallon (35 lbs)
AF0450L4	42.893" (1089.5)	29.502" (749.4)	28.330" (719.6)	16 Gallon (120 lbs)
AF0450L5	51.018" (1295.8)	37.627" (955.7)	36.455" (925.9)	55 Gallon (400 lbs)
(for -1 model)				
AF0450L2	37.053" (941)	21.691" (551)	20.519" (521.1)	5 Gallon (35 lbs)
AF0450L4	44.802" (1138)	29.440" (747.8)	28.268" (718)	16 Gallon (120 lbs)
AF0450L5	52.989" (1345.9)	37.627" (955.7)	36.455" (925.9)	55 Gallon (400 lbs)

PARTS LIST / LOWER PUMP END

ITEM	DESCRIPTION	QTY	PART NO.
1	Rod (AF0450L2)	(1)	97330
	(AF0450L4)	(1)	92291
	(AF0450L5)	(1)	90127
2	Tube (AF0450L2)	(1)	97331
	(AF0450L4)	(1)	92292
	(AF0450L5)	(1)	90128
3	Ball	(1)	Y16-211
4	Piston Assembly	(1)	65036
5	Tube (AF0450L2)	(1)	97333
	(AF0450L4)	(1)	90135
	(AF0450L5)	(1)	90135
6	Rod (AF0450L2)	(1)	97332
	(AF0450L4)	(1)	90131
	(AF0450L5)	(1)	90131
✓ 7	Washer	(1)	90136
8	Sleeve	(1)	4170
✓ 9	Washer	(1)	92845
10	Washer	(1)	90138
11	Nut	(1)	95977302
12	Tube (AF0450L2)	(1)	97334
	(AF0450L4)	(1)	90129
	(AF0450L5)	(1)	90129
✓ 13	Ring	(1)	Y147-77
✓ 14	Packing	(1)	90757
15	Body	(1)	90756
16	Seat	(1)	4169
17	Washer	(1)	90133

✓ Parts included in 65130 Service Kit

OPERATING AND SAFETY PRECAUTIONS

⚠ WARNING EXCESSIVE INLET PRESSURE. Can cause explosion resulting in severe injury or death. Do not exceed maximum operating pressure of 7500 psig (517 bar) at 150 psig (10 bar) inlet air pressure. Do not run pump without using a regulator to limit air supply pressure to the pump.

⚠ WARNING EXCESSIVE MATERIAL PRESSURE. Can cause equipment failure resulting in severe injury or property damage. Do not exceed the maximum material pressure of any component in the system.

PUMP RATIO X INLET PRESSURE TO PUMP MOTOR	=	MAXIMUM PUMP FLUID PRESSURE
Pump ratio is an expression of the relationship between the pump motor area and the lower pump end area. EXAMPLE: When 150 psig (10 bar) inlet pressure is supplied to the motor of a 4:1 ratio pump it will develop a maximum of 600 psig (41.4bar) fluid pressure (at no flow) -as the fluid control is opened, the flow rate will increase as the motor cycle rate increases to keep up with the demand.		

NOTICE: Thermal expansion can occur when the fluid in the material lines is exposed to elevated temperatures. Example: Material lines located in a non-insulated roof area can warm due to sunlight. Install a pressure relief valve in the pumping system.

TROUBLESHOOTING

No material at outlet. (Pump continuously cycles).

- Empty material supply. Disconnect the air, replenish the material supply.
- Foreign matter is holding foot valve seats open in the lower pump tube assembly. Remove lower pump tube assembly and clean valve seats.

Pump operates sluggishly, tends to stick when air is applied or control is opened.

- Air motor is dirty or lacks lubrication. Clean air motor.

☐ Clean threads with solvent and apply Loctite 271 Sealant to threads.

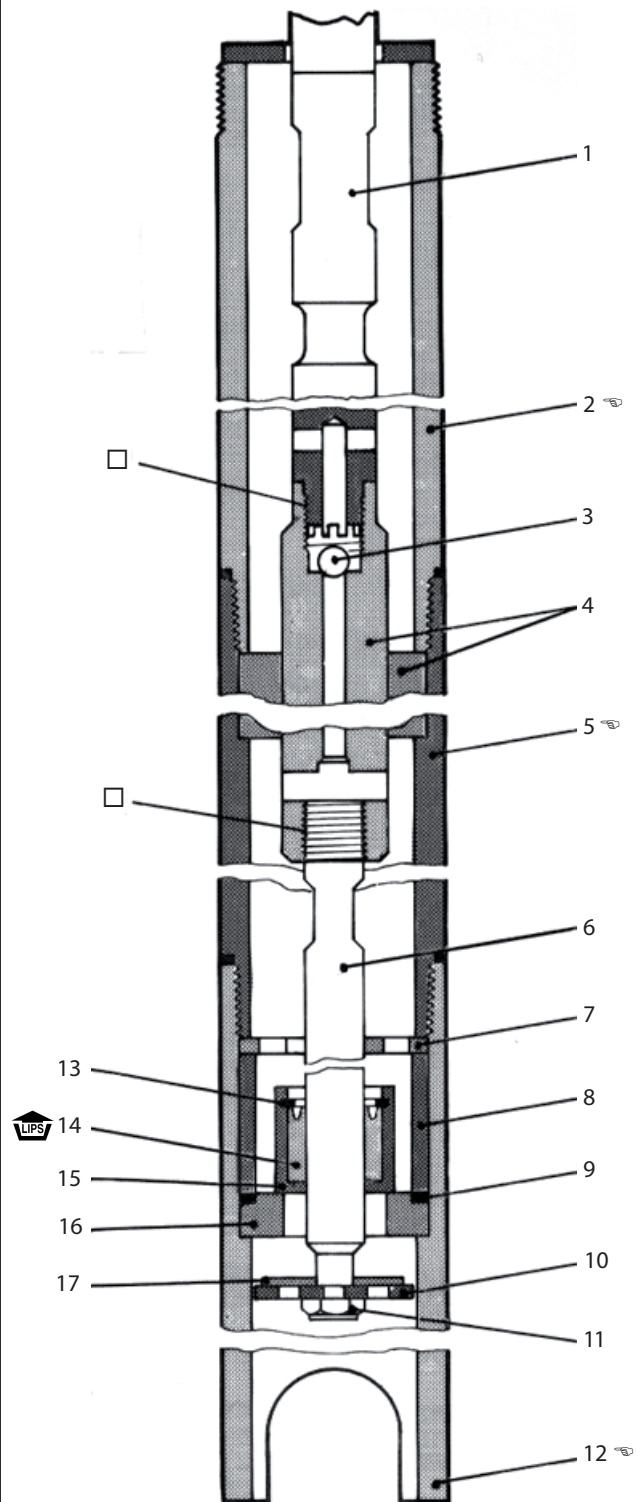


Figure 2

◆ **TORQUE REQUIREMENTS** ◆
(2, 5, 12) 300 ft lbs (406.8 Nm)

- Insufficient air pressure or volume of air. Check air supply.
- Air bypasses through exhaust port.**
- Foreign matter is holding air valve open or lacks lubrication. Consult factory for nearest Service Center.
- Motor stalls.**
- Foreign matter in pump, hose, control valve or spray tip obstructing material flow. Check material supply hose and control valve tip.

MODEL DESCRIPTION CHART

AF0450 L X X X X X X - X X - X

Check Type / Wetted Material

L - Grease pump, Carbon Steel

Container Suitability

2 - 5 gallon (35 lbs)
4 - 16 gallon (120 lbs)
5 - 55 gallon (400 lbs)

Inlet / Outlet Thread Type

3 - SAE Fluid Outlet in Air motor Base

Upper Packing

P - Polyurethane

Lower Packing

K - Filled PTFE

Spring Type / Solvent Cup

L - Coil Spring, No Solvent Cup

Plunger Type

1 - Carbon Steel

Air Motor Option

Blank - No Option
0 - No Option
1 - Integrated Ball Valve Regulator

Pump Option

Blank - No Option
0 - No Option

Revision Level

Blank - None

DIMENSIONS

Top view

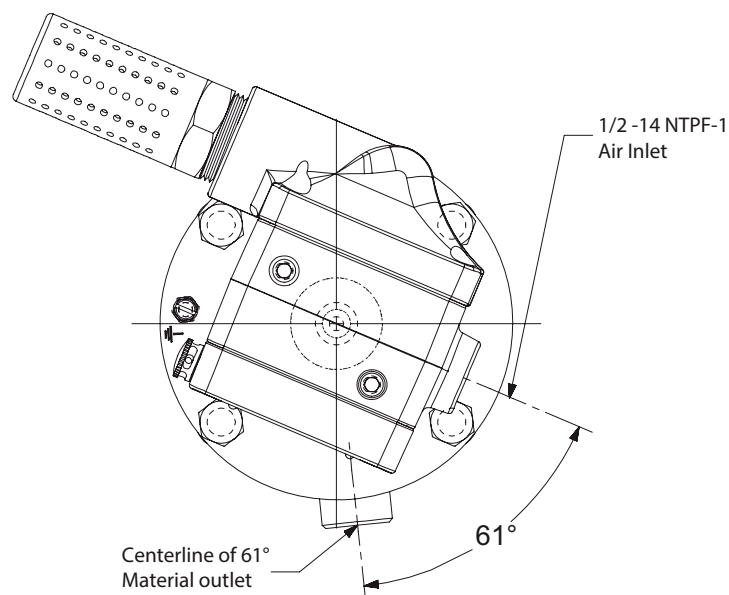
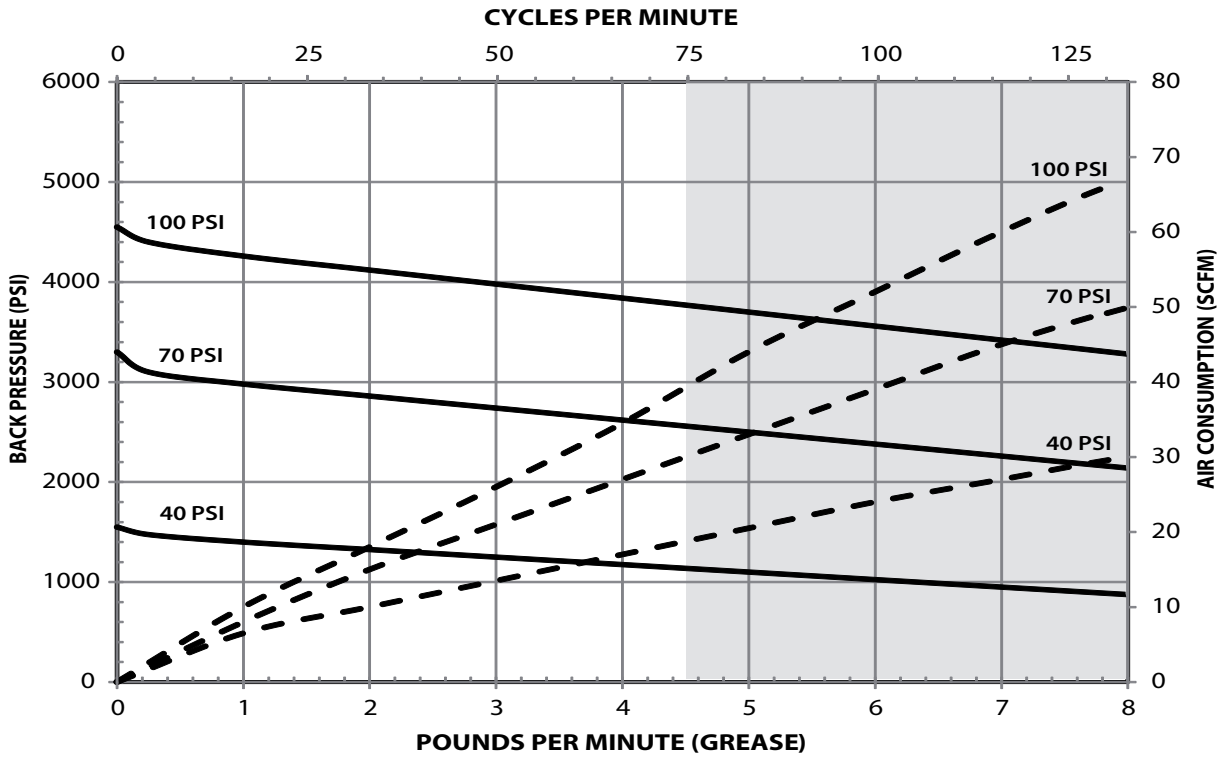


Figure 3

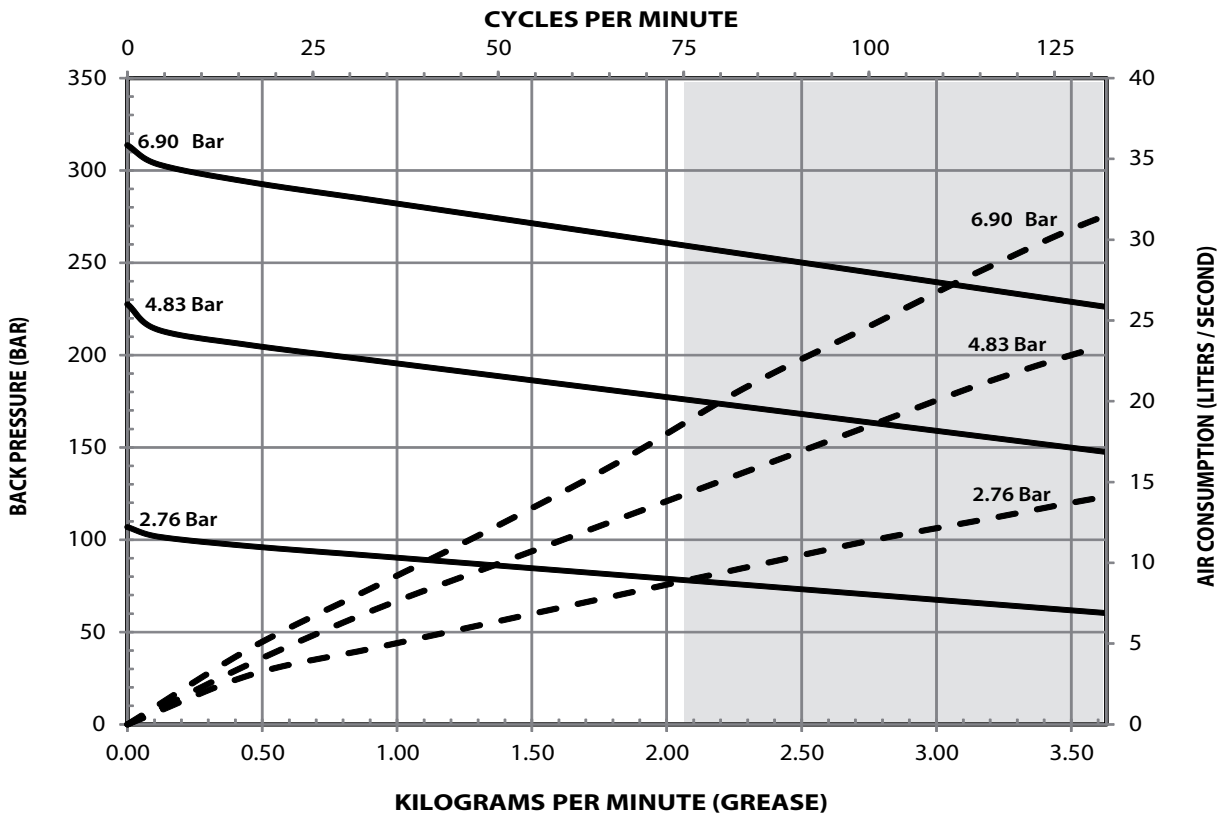
PERFORMANCE CURVES

NLGI #1 GREASE AT ROOM TEMPERATURE



NOTE: NON SHADED AREA OF THE GRAPH REPRESENTS RECOMMENDED OPERATING RANGE FOR CONTINUOUS DUTY

NLGI #1 GREASE AT ROOM TEMPERATURE



NOTE: NON SHADED AREA OF THE GRAPH REPRESENTS RECOMMENDED OPERATING RANGE FOR CONTINUOUS DUTY