

SALES AND ENGINEERING DATA

RATIO SERIES: **1:1**

FLUID PSIG RANGE: **10 - 100**

66630X-XXX-C, 66632X-XXX-C and 6663GE-XXX-C 3" METALLIC DIAPHRAGM PUMP

RELEASED: 3-21-06
REVISED: 3-10-23
(REV: G) S-1363

SPECIFICATIONS

Model Series	6663XX-XXX-C
Pump Type	Metallic, Air Operated, Double Diaphragm
Ratio	1:1
Material Inlet / Outlet (female)	
66630X-XXX-C	3 - 8 NPTF - 2
66632X-XXX-CA	Rp 3 (3 - 11 BSP parallel)
6663GE-XXX-C	3" Hybrid ANSI / DIN / JIS RF Flange
Air Inlet (female)	3/4 - 14 NPTF - 2
Air Exhaust (female)	1-1/4 -11-1/2NPTF -2
Weight	
6663X0-XXX-C	109.84 lbs (49.82 kgs)
6663X1-XXX-C	222.21 lbs (100.79 kgs)
6663X2-XXX-C	213.08 lbs (96.65 kgs)
6663XA-XXX-C	109.84 lbs (49.82 kgs)
6663XB-XXX-C	222.21 lbs (100.79 kgs)
6663XC-XXX-C	213.08 lbs (96.65 kgs)
6663GE-XXX-C	244.82 lbs (111.05 kgs)
Air Section Service Kit	637434
Fluid Section Service Kit	637433-XX

PERFORMANCE

Air Inlet Pressure Range	10 - 100 psig (0.69 - 6.9 bar)
Maximum Material Inlet Pressure	10 psig (0.69 bar)
Fluid Pressure Range	10 - 120 psig (.69 - 6.9 bar)
Maximum Flow Rate (flooded inlet)	237 gpm (897.0 lpm)
Displacement / Cycle @ 100 psig	2.65 gal. (10.03 lit.)
Maximum Particle Size	3/8" (9.5 mm)
Maximum Temperature Limits (diaphragm / ball / seat material)	
E.P.R. / EPDM	-60° to 280° F (-51° to 138° C)
Hytre [®]	-20° to 180° F (-29° to 82° C)
Nitrile	10° to 180° F (-12° to 82° C)
PVDF	10° to 200° F (-12° to 93° C)
PTFE	40° to 225° F (4° to 107° C)
Santoprene [®]	-40° to 225° F (-40° to 107° C)
Viton [®]	-40° to 350° F (-40° to 177° C)
Noise Level @ 70 psig - 60 cpm^①	86.3 dB(A) ^②

Note:

- ① Tested with 94810 muffler installed.
- ② The pump sound pressure level has been updated to an Equivalent Continuous Sound Level (LA_{eq}) to meet the intent of ANSI S1. 13-1971, CAGI-PNEUROSP S5.1 using four microphone locations.

ACCESSORIES: 66312 Air Line Connection Kit

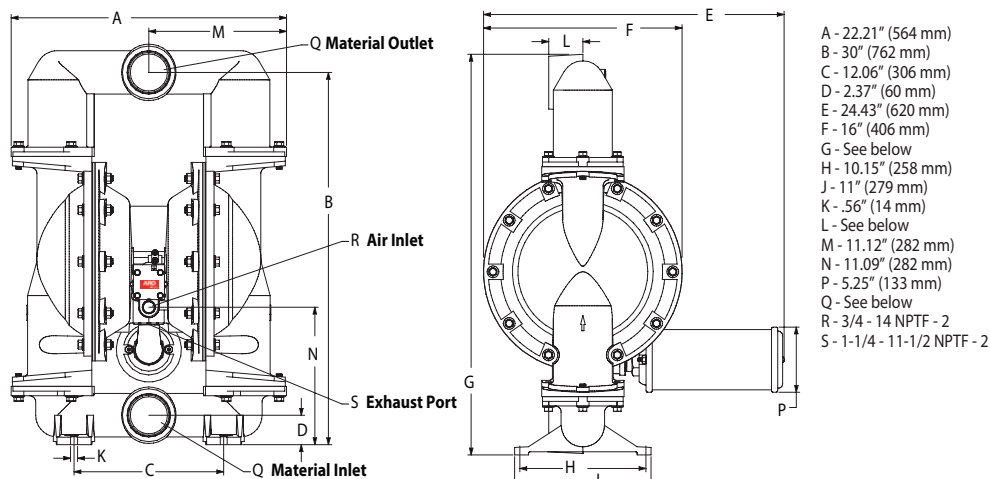
6663XX - XXX - C
637433 - XXX - C

Ball Material | Diaphragm Material

Example: Model 666300-1EB-C
Fluid Section Service Kit is 637433-EB

DIMENSIONAL DATA

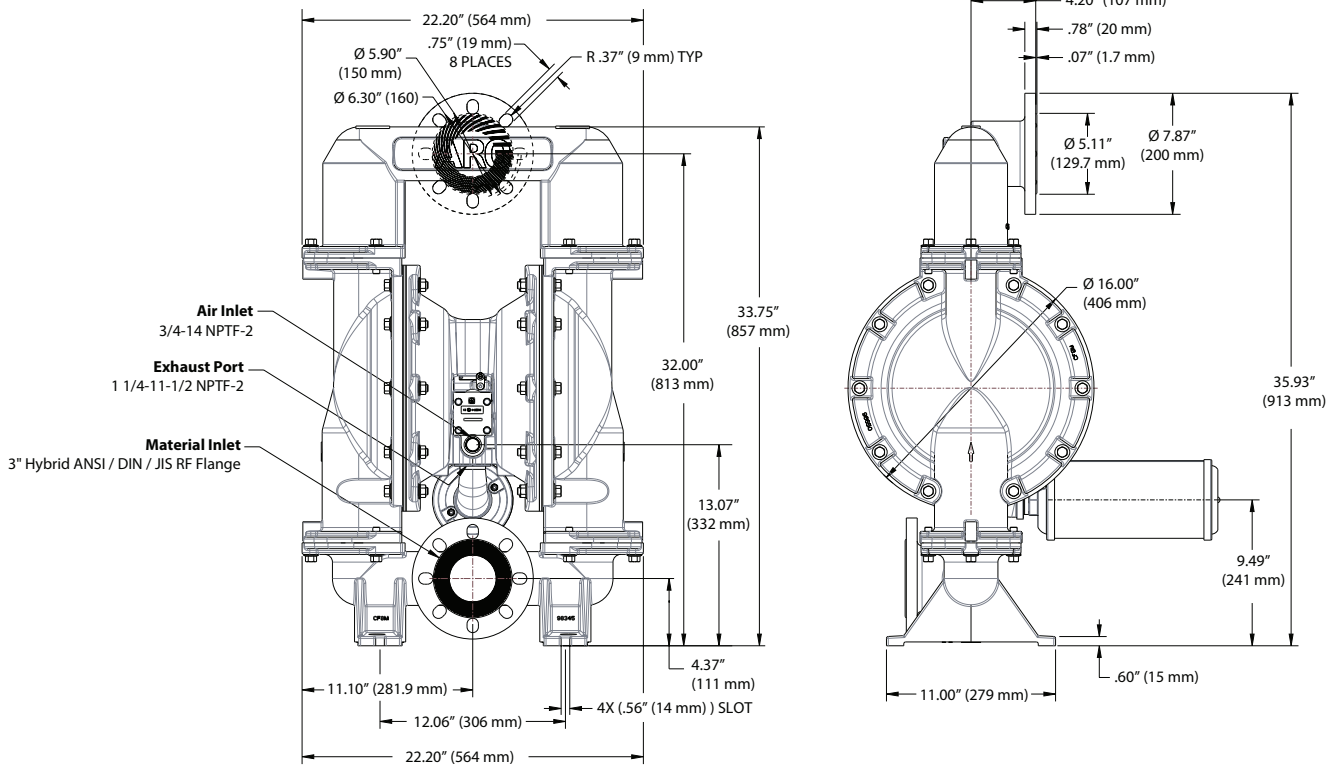
66630X-XXX-C, 66632X-XXX-C



Model	"G"	"L"	Model	"G"	"L"	Model	"Q"
6663X0-XXX-C	32.28" (820 mm)	2.75" (70 mm)	6663XA-XXX-C	32.28" (820 mm)	2.75" (70 mm)	666300-XXX-C	3 - 8 NPTF - 2
6663X1-XXX-C	32.18" (817 mm)	2.62" (67 mm)	6663XB-XXX-C	32.18" (817 mm)	2.62" (67 mm)	666320-XXX-C	Rp 3
6663X2-XXX-C	32.28" (820 mm)	2.75" (70 mm)	6663XC-XXX-C	32.28" (820 mm)	2.75" (70 mm)		(3 - 11 BSP, parallel)

DIMENSIONAL DATA

6663GE



Dimensions shown are for reference only, they are displayed in inches and millimeters (mm).

PERFORMANCE CURVES

3" METALLIC DIAPHRAGM PUMP

