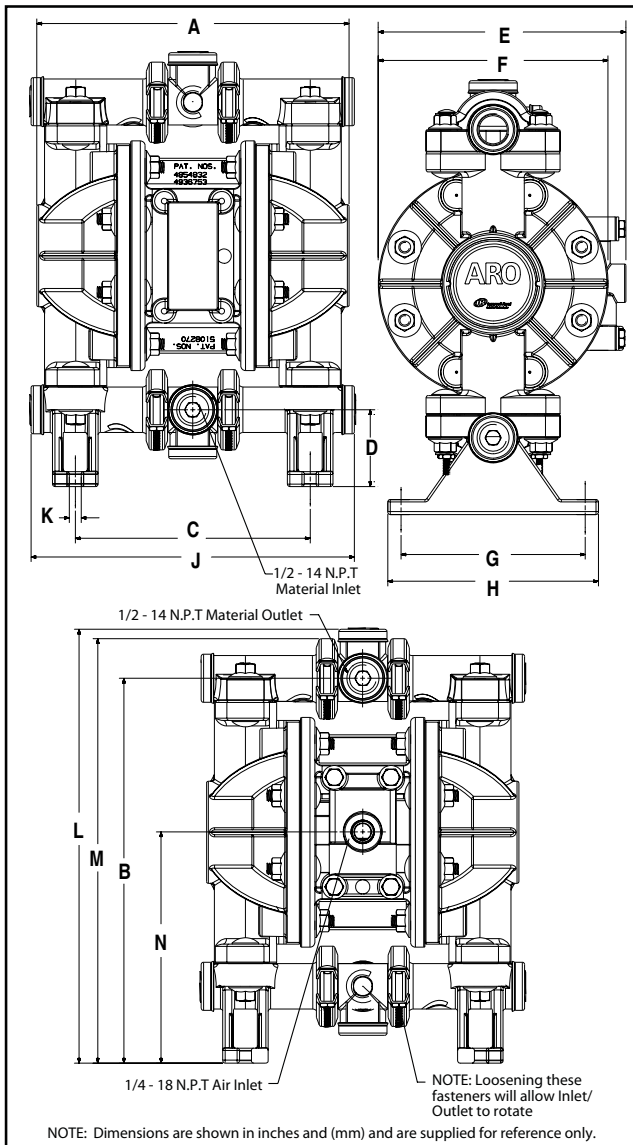


66605X-XXX 1/2" NON-METALLIC DIAPHRAGM PUMP

RELEASED: 1-31-97
REVISED: 8-7-15
(REV. G) S-875

DIMENSIONAL DATA



DIMENSIONS

A - 8.155" (207.1 mm)	E - 6.467" (164 mm)	J - 8.44 5" (215 mm)
B - 10.051" (255 mm)	F - 6.000" (152 mm)	K - 0.31 2" (8 mm)
C - 6.135" (155.8 mm)	G - 4.812" (122.2 mm)	L - 11.331" (288 mm)
D - 2.005" (51 mm)	H - 5.500" (140 mm)	M - 11.08 4" (282 mm)
		N - 6.040" (153 mm)

ACCESSORIES:

66073-1 Air Line Connection Kit
93092 Exhaust Cover*
93107 Gasket*
93110 Muffler*

* External muffler for piped exhaust applications.

SPECIFICATIONS

CONSTRUCTION

Model Series 66605X-XX
Pump Type Non-Metallic, Air Operated, Double Diaphragm ®
Ratio 1:1
Material Inlet / Outlet (female) 1/2 - 14 N.P.T.F. - 1
Air Inlet (female) 1/4 - 18 N.P.T.F. - 1
Air Exhaust standard internal
optional (female) 3/8 - 18 N.P.T.F. - 1
Weight Polypropylene 7.2 lbs (3.3 kgs)
Groundable Acetal 8.8 lbs (4.0 kgs)
Kynar PVDF 5 lbs (4.3 kgs)
Air Section Service Kit 637141
Fluid Section Service Kit 637140-XX

66605X - XXX

637140 - XX

Diaphragm Material

Ball Material

EXAMPLE: Model 66605J-3EB
Fluid Section Service Kit is 637140-EB

PERFORMANCE

Air Inlet Pressure Range 20 - 100 p.s.i. (1.4 - 6.9 bar)
Maximum Material Inlet Pressure 10 p.s.i. (0.69 bar)
Fluid Pressure Range 20 - 100 p.s.i. (1.4 - 6.9 bar)
Maximum Flow Rate (flooded inlet)
ball check 13 g.p.m. (49.2 l.p.m.)
duckbill 10 g.p.m. (37.9 l.p.m.)
Maximum Particle Size
ball check 3/32" dia. (2.4 mm)
duckbill fibers
Maximum Temperature Limits (diaphragm / ball / seal material)
E.P.R. -60° to 280° F (-51° to 138° C)
Groundable Acetal 10° to 180° F (-12° to 82° C)
Hytrel -20° to 180° F (-29° to 82° C)
Kynar PVDF 10° to 200° F (-12° to 93° C)
Neoprene 0° to 200° F (-18° to 93° C)
Nitrile 10° to 180° F (-12° to 82° C)
Polypropylene 35° to 175° F (2° to 79° C)
Polyurethane 10° to 150° F (-12° to 66° C)
Santoprene -40° to 225° F (-40° to 107° C)
PTFE 40° to 225° F (4° to 107° C)
Viton -40° to 350° F (-40° to 177° C)

Displacement / Cycle @ 100 p.s.i.

ball check 0.040 gal. (0.15 lit.)
duckbill 0.032 gal. (0.12 lit.)

Noise Level @ 100p.s.i. c.p.m. 71.1 db(A)®

Notes:

- ① Tested with 66972 muffler installed.
- ② The pump sound pressure level has been updated to an Equivalent Continuous Sound Level (LAeq) to meet the intent of ANSI S1.13-1971, CAGI-PNEUROPS 55.1 using four microphone locations.
- ③ 666056-XXX models are constructed of a groundable acetal. The material's conductivity allows it to be connected to a suitable ground.

PERFORMANCE CURVES

66605X-XXX 1/2" NON-METALLIC DIAPHRAGM PUMP

