



15301914
Edition 1
March 2009

Lubricator Assembly

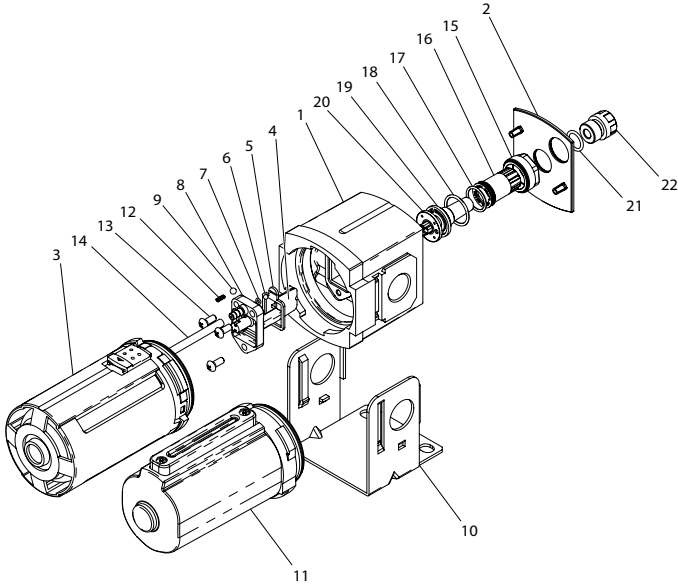
2000 Series

Parts Information



Save These Instructions

Lubricator Assembly 2000 Series L363X1-XXX Exploded Diagram

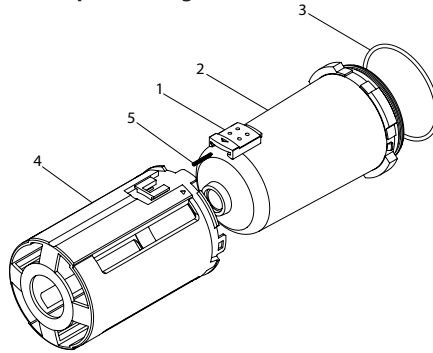


(Dwg. 15318678)

Lubricator Assembly 2000 Series L363X1-XXX Parts List

| Item | Part Description | Material | Part Number | Item | Part Description | Material | Part Number |
|-----------------------|-----------------------------------------------------|-------------------------|-------------|---------------------------------------------------------------------------------------------------------------|-------------------------|-----------------|-------------|
| 1 | Lubricator Body | Aluminum | --- | 12 | Spring | Stainless Steel | --- |
| | 3/8" BSP (L363C1-XXX) | | | 13 | Bolt | Steel | --- |
| | 1/2" BSP (L363D1-XXX) | | | 14 | Siphon Tube | Urethane | --- |
| | 3/4" BSP (L363E1-XXX) | | | 15 | Sight Dome Housing | Nylon | --- |
| | 3/8" NPT (L36331-XXX) | | | 16 | Outer Sight Dome | | --- |
| | 1/2" NPT (L36341-XXX) | | | 17 | Outer Sight Dome O-Ring | Nitrile | --- |
| 3/4" NPT (L36351-XXX) | 18 | Inner Sight Dome O-Ring | --- | | | | |
| 2 | Upper Cover (L) | Nylon | --- | 19 | Inner Sight Dome | Nylon | --- |
| | | | | 20 | Nozzle Sheet | Nitrile | --- |
| 3 | Poly Bowl (See Page 3) (L363X1-100) | --- | --- | 21 | Fill Cap O-Ring | | --- |
| | | | | 22 | Fill Cap | Acetal | --- |
| 4 | Damper | Nitrile | --- | Lubricator Repair Kit (Includes Items 4, 5, 6, 7, 8, 15, 16, 17, 19, 21, 22, and Bowl O-Ring) (L363X1-XXX) | | | |
| 5 | Damper Guide Gasket | | | | | | |
| 6 | Steel Ball (Small) | Steel | --- | Sight Dome Repair Kit (Includes Items 15, 16, 17, 19) (L363X1-XXX) | --- | 104439 | |
| 7 | Check Ball O-Ring | Nitrile | --- | | | | |
| 8 | Damper Guide | Acetal | --- | --- | --- | 104470 | |
| 9 | Steel Ball (Large) | Steel | --- | | | | |
| 10 | C-Bracket | --- | 104409 | | | | |
| | | | | | | | |
| 11 | Metal Bowl (See Page 4) (L363X1-110, L363X1-120) | --- | --- | | | | |
| | | | | | | | |

Poly Bowl Assembly 2000 Series Exploded Diagram

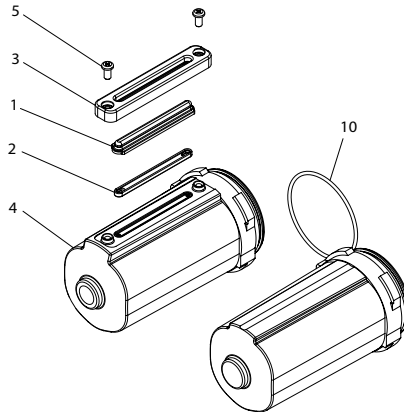


(Dwg. 15318702)

Poly Bowl Assembly 2000 Series Parts List

| Item | Part Description | Material | Part Number | Item | Part Description | Material | Part Number |
|------|--------------------------------------------------------|---------------|-------------|------|------------------------------------|-----------------|-------------|
| 1 | Lock Button (L363X1-100) | Nylon | --- | 4 | Bowl Guard (L363X1-100) | Nylon | --- |
| 2 | Poly Bowl (Includes Items 1, 3, 4 & 5) (L363X1-100) | Polycarbonate | 104336 | 5 | Lock Button Spring (L363X1-100) | Stainless Steel | --- |
| 3 | Bowl O-Ring (L363X1-100) | Nitrile | --- | | | | |

Metal Bowl Assembly 2000 Series Exploded Diagram



(Dwg. 15318710)

Metal Bowl Assembly 2000 Series Parts List

| Item | Part Description | Material | Part Number | Item | Part Description | Material | Part Number |
|------|-----------------------------------------------------------------------------------------------------------|----------|-------------|------|-----------------------------------------|----------|-------------|
| 1 | Sight Plate (L353X1-110) | Nylon | --- | 5 | Bolt (L363X1-110) | Steel | --- |
| 2 | Sight Plate Gasket (L353X1-110) | Nitrile | --- | 10 | Bowl O-Ring (L363X1-110, L363X1-120) | Nitrile | --- |
| 3 | Sight Cover (L353X1-110) | Aluminum | --- | | | | |
| 4 | Metal Bowl (Includes Item 10) (Sight Glass also Includes Items 1, 2, 3 & 5) with Sight (L363X1-110) | Aluminum | 104338 | | | | |
| | No Sight (L363X1-120) | Aluminum | 104337 | | | | |

Parts and Maintenance

When the life of the tool has expired, it is recommended that the tool be disassembled, degreased and parts be separated by material so that they can be recycled.

Tool repair and maintenance should only be carried out by an authorized Service Center.

Refer all communications to the nearest **Ingersoll Rand** Office or Distributor.

Related Documentation

For additional information refer to:

Safety Information Manual 15301765.

Product Information Manual 15301773.

Maintenance Information Manual 15301781.

Manuals can be downloaded from fluids.ingersollrand.com

Part No: 100400-68

fluids.ingersollrand.com

© 2009 **Ingersoll Rand** Company

