

SALES AND ENGINEERING DATA

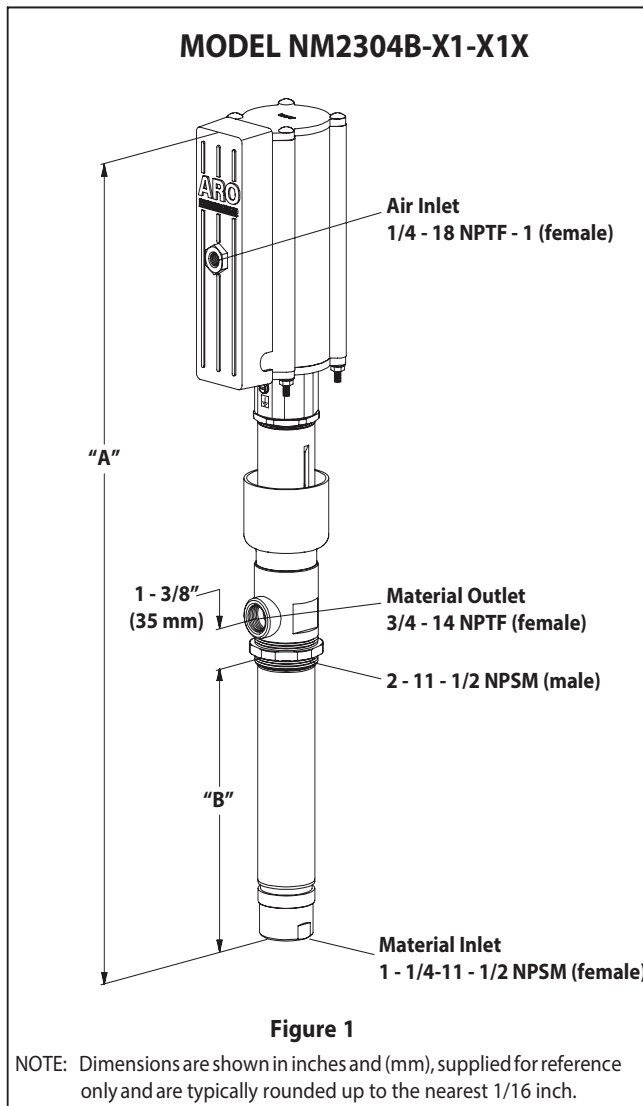
RATIO: 4:1
SERIES:

FLUID PSIG: 30 - 795
RANGE:

RELEASED: 10-17-97
REVISED: 4-24-20
(REV: H) S-921

NM2304B-() TWO - BALL PUMP

DIMENSIONAL DATA



MODEL	"A"(mm)	"B"(mm)	WEIGHT (kg)
NM2304B-11-X1X	28 - 1/8" (714.4)	9 - 23/32" (246.8)	32.0 lbs (14.5)
NM2304B-41-X1X	51 - 21/32" (1312.1)	33 - 1/4" (844.6)	46.0 lbs (20.9)

SPECIFICATIONS

CONSTRUCTION

Model Series	NM2304B-X1-X1X
Pump Type	Air Operated, Two-Ball, Stainless Steel Pump
Ratio	4:1
Air Motor	66913
Air Motor Repair Kit	637316
Air Motor Diameter	3" (7.62 cm)
Stroke	3" (7.62 cm)
Air Inlet	1/4 - 18 NPTF - 1 (female)
Lower Pump End Series	1875CXXXXXX
Lower Pump Repair Kit	
NM2304B-X1-C1X	K1875C11FF00
NM2304B-X1-31X	K1875C11SS00
NM2304B-X1-W11	K1875C11VS00
NM2304B-X1-111	K1875C11LF00
NM2304B-X1-511	K1875C11US00
Material Inlet	1 - 1/4 - 11 - 1/2 NPSM (female)
Material Outlet	3/4 - 14 NPTF (female)

MATERIALS OF CONSTRUCTION

Outlet Body	316 Stainless Steel
Cylinder	
NM2304B-X1-X11	316 Stainless Steel
NM2304B-X1-X1B	Ceramic Coated 316 St. St.
Plunger	316 Stainless Steel
Upper Packing	
NM2304B-X1-C1X	UHMW-PE
NM2304B-X1-31X	PTFE
NM2304B-X1-W11	Viton
NM2304B-X1-111	Leather
NM2304B-X1-511	Filled PTFE / Leather Staggered
Lower Packing	
NM2304B-X1-C1X	UHMW-PE
NM2304B-X1-31X	PTFE
NM2304B-X1-W11	PTFE
NM2304B-X1-111	UHMW - PE
NM2304B-X1-511	PTFE
Upper Ball	316 Stainless Steel
Upper Seat	316 Stainless Steel
Lower Ball	316 Stainless Steel
Inlet Body	316 Stainless Steel

PERFORMANCE

Air Inlet Pressure Range	30 - 150 psig (2.1 - 10.3 bar)
Fluid Pressure Range	60 - 795 psig (4.1 - 54.8 bar)
Maximum Rec'd Cycles / Minute ...	120
Flow @ 120 Cycles / Minute	4.26 gpm (16.121 lpm)
Displacement Per Cycle	8.2 In ³ (134 cc)
Cycles Per Gallon	28
Noise Level @ 100 psig - 60 cpm ...	85 dB(A) ^①

① The pump sound pressure level has been updated to an Equivalent Continuous Sound Level (LA_{eq}) to meet the intent of ANSI S1. 13-1971, CAGI-PNEUROPS5.1 using four microphone locations.

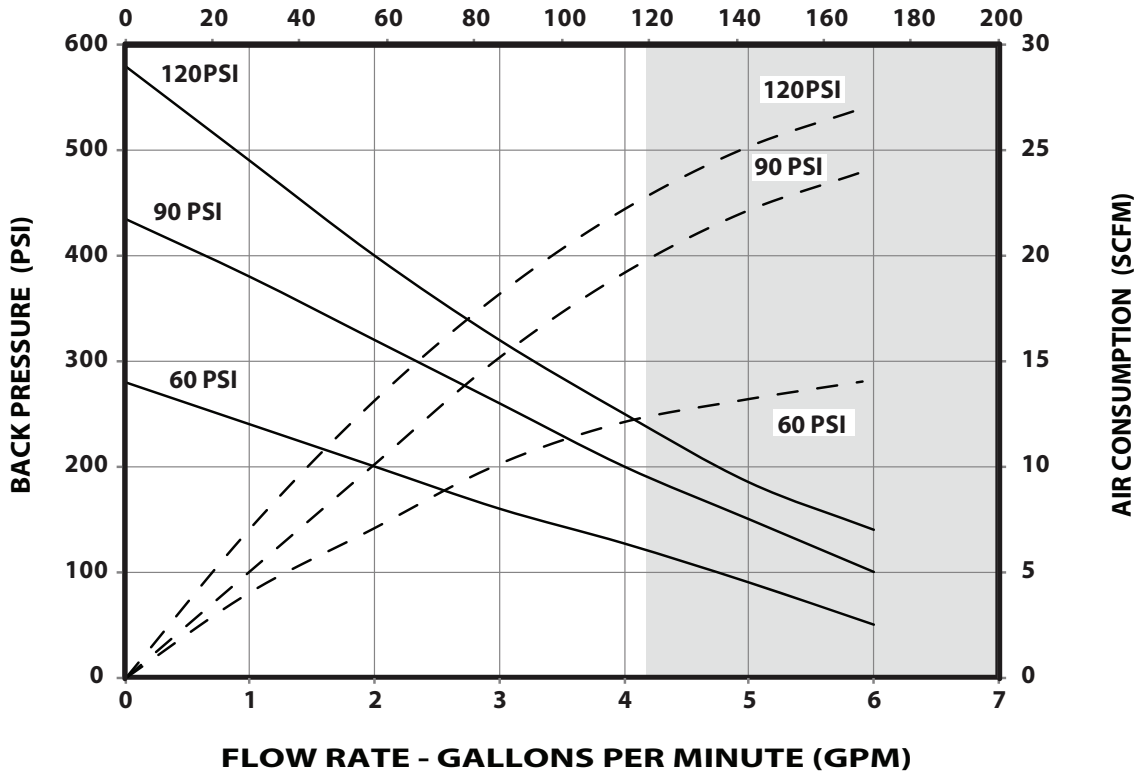
ACCESSORIES:

61113 Wall Mount Bracket
66073-1 Air Line Connection Kit

PERFORMANCE CURVES

PERFORMANCE BASED ON 30wt. OIL (100 cSt) AT 40° C TEMPERATURE

CYCLES PER MINUTE (CPM)



NOTE : NON SHADED AREA OF THE GRAPH REPRESENTS RECOMMENDED OPERATING RANGE

PERFORMANCE BASED ON 30wt. OIL (100 cSt) AT 40° C TEMPERATURE

CYCLES PER MINUTE (CPM)

