



**15301948**  
Edition 1  
March 2009

# Filter Assembly

**3000 Series**

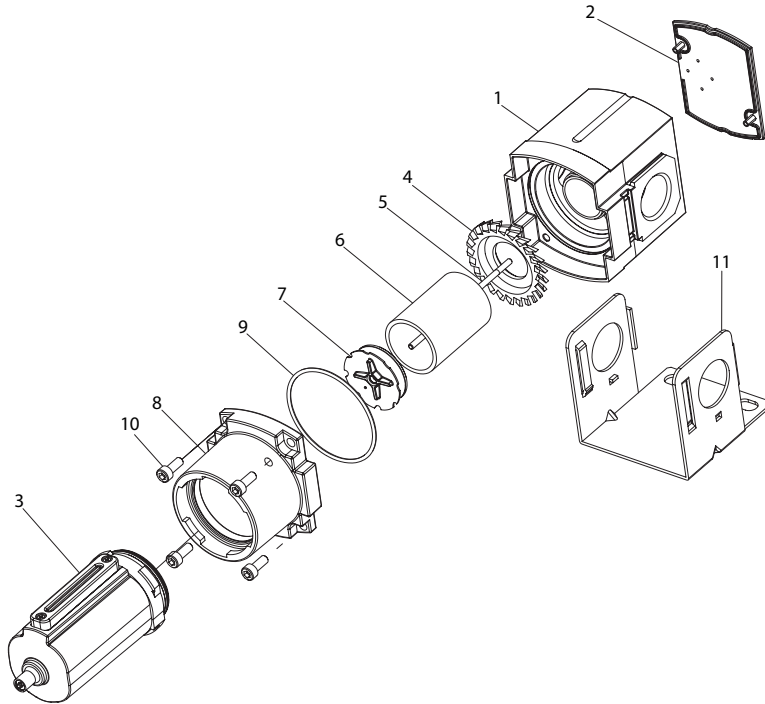
---

## Parts Information



Save These Instructions

## Filter Assembly 3000 Series F354XX-XXX Exploded Diagram

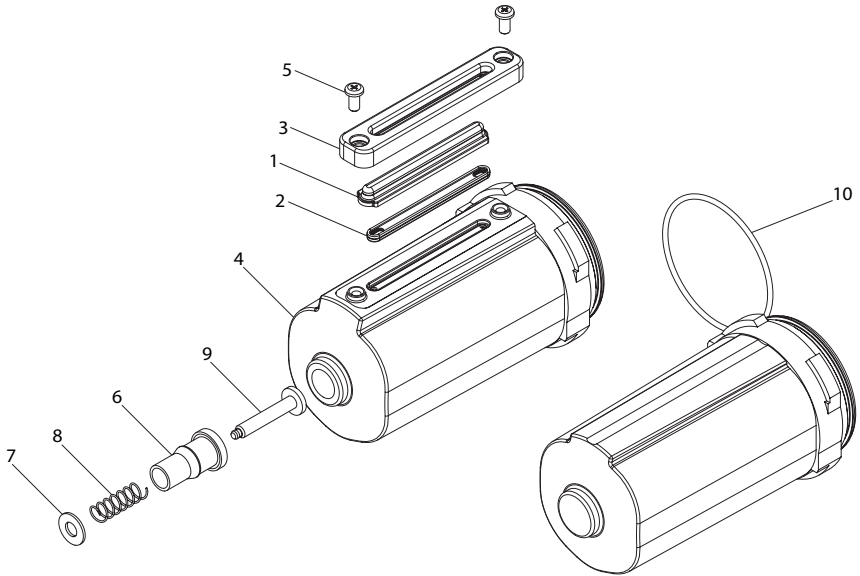


(Dwg. 15321987)

### Filter Assembly 3000 Series F354XX-XXX Parts List

Item	Part Description	Material	Part Number
1	Filter Body	Aluminum	---
	3/4" NPT (F3545X-XXX)		---
	1" NPT (F3546X-XXX)		---
	3/4" BSP (F354EX-XXX)		---
3	1" BSP (F354FX-XXX)	---	---
	Manual Drain w/o Sight Glass (F354XX-X20)	---	104322
3	Auto Drain w/o Sight Glass (F354XX-X21)	---	104323
	Manual Drain with Sight Glass (F354XX-X10)	---	104450
	Auto Drain with Sight Glass (F354XX-X11)	---	104451
	Manual Drain with Sight Glass Coalescing (F354XX-310)	---	104461
	Auto Drain with Sight Glass Coalescing (F354XX-311)	---	104462
	4	Deflector	Nylon
5	Baffle Shaft	Brass	---
6	Filter Element	Polyethylene	---
	5 Micron (F354XX-4XX)		104445
	40 Micron (N/A)		104446
	0.3 Micron (F354XX-3XX)		104447
7	Baffle	ABS	---
8	Coupler	Aluminum	---
9	Coupler "O" Ring	Nitrile	---
10	Coupler Screw	---	---
11	C-Bracket	Steel	104410

## Metal Bowl Assembly 3000 Series F354XX-XXX Exploded Diagram



(Dwg. 15322035)

## Metal Bowl Assembly 3000 Series F354XX-XXX Parts List

Item	Part Description	Material	Part Number
1	Sight Glass (F354XX-X2X)	Nylon	---
2	Sight Glass Gasket (F354XX-X2X)	Nitrile	---
3	Sight Cover (F354XX-X2X)	Aluminum	---
4	Metal Bowl		---
5	Bolt (F354XX-X2X)	Steel	---
6	Drain Housing (F354XX-XX0)	Nitrile	104316
7	Retainer (F354XX-XX0)	Stainless Steel	
8	Drain Spring (F354XX-XX0)		
9	Drain Stem (F354XX-XX0)	Brass	
10	Bowl "O" Ring	Nitrile	---
	Auto Drain (F354XX-XX1)	---	104315
	Service Kit (Includes Items 6,7, 8, 9, 10 and Coupler O-Ring)	---	104452

## Parts and Maintenance

When the life of the tool has expired, it is recommended that the tool be disassembled, degreased and parts be separated by material so that they can be recycled.

Tool repair and maintenance should only be carried out by an authorized Service Center.

Refer all communications to the nearest **Ingersoll Rand** Office or Distributor.

## Related Documentation

For additional information refer to:

Product Safety Information Manual 15301765.

Product Information Manual 15301773.

Product Maintenance Information Manual 15301781.

Manuals can be downloaded from [fluids.ingersollrand.com](http://fluids.ingersollrand.com).

Part No. 100400-71

**fluids.ingersollrand.com**

© 2009 *Ingersoll Rand* Company

