

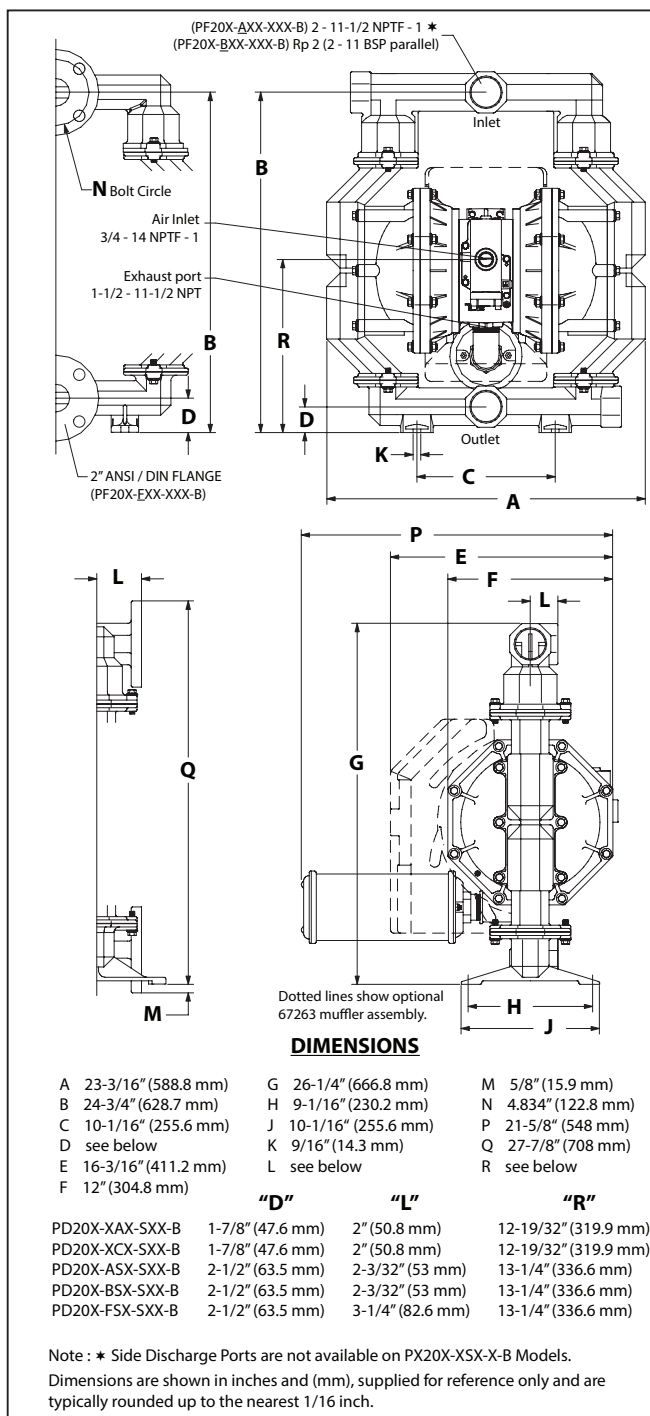
SALES AND ENGINEERING DATA

RATIO SERIES:	1:1
FLUID PSIG RANGE:	20 - 120

PF20A-XXX-SXX-B and PF20S-XXX-SXX-B 2" METALLIC FLAP VALVE DIAPHRAGM PUMP

RELEASED: 2-10-05
REVISED: 9-15-11
(REV: 04) S-1342

DIMENSIONAL DATA



SPECIFICATIONS

CONSTRUCTION

Model Series	PF20A-XXX-SXX-B PF20S-XXX-SXX-B
Pump Type	Metallic, Air operated, Flap Valve, Double diaphragm
Ratio	1:1
Material Inlet / Outlet (female)	
PF20X- <u>AXX</u> -SXX-B	2 - 11-1/2 NPTF - 1
PF20X- <u>BXX</u> -SXX-B	Rp 2 (2 - 11 BSP parallel)
PF20X- <u>EXX</u> -SXX-B	2" ANSI/ DIN Flange
Air Inlet (female)	3/4 - 14 NPTF - 1
Air Exhaust (female)	1-1/2 - 11-1/2 NPT
Weight	
PF20A-XAX-SXX-B	97.3 lbs (44.2 kgs)
PF20A-XCX-SXX-B	166.2 lbs (75.4 kgs)
PF20A-ASX-SXX-B	166.0 (75.3 kgs)
PF20A-BSX-SXX-B	166.0 (75.3 kgs)
PF20A-FSX-SXX-B	177.1 (80.3 kgs)
	(add 28.9 lbs [13.1 kgs] for Stainless steel air motor section)
Air Section Service Kit	637421
Fluid Section Service Kit	637310-XX
Major Air Valve Assembly	637374-X

PF20X-XXX-SXX-B
637310-XX

Diaphragm Material
Flap Material

Example: Model # PF20A - AAP - SAA-B
Fluid Section Service Kit # 637310-AA

PERFORMANCE

Air Inlet Pressure Range	20 - 120 psig (1.4 - 8.3 bar)
Maximum Material Inlet Pressure ..	10 psig (0.69 bar)
Fluid Pressure Range	20 - 120 psig (1.4 - 8.3 bar)
Maximum Flow Rate	172 gpm (651 lpm)
Maximum Particle Size	2" dia (50 mm) semi - solids
Maximum Temperature Limits (diaphragm / ball / seal material)	
E.P.R / EPDM	-60° to 280°F (-51° to 138°C)
Nitrile	10° to 180°F (-12° to 82°C)
Polyurethane	10° to 150°F (-12° to 66°C)
Santoprene®	-40° to 225°F (-40° to 107°C)
PTFE	40° to 225°F (4° to 107°C)
Viton®	-40° to 350°F (-40° to 177°C)
Displacement / Cycle @ 100 psig	1.4 gpm (5.3 lpm)
Noise Level @ 70 psig, 60 cpm	85.0 dB(A)②

- ① Tested with 67263 muffler assembly installed.
② The pump sound pressure level has been updated to an Equivalent Continuous Sound Level (LAeq) to meet the intent of ANSI S1.13-1971, CAGI-PNEUROP S5.1 using four microphone locations.

ACCESSORIES:

- 66312 Air Line Connection Kit
- 67263 Continuous Muffler Assembly
- 94117 Int. Muffler

PERFORMANCE CURVES

PF20A-XXX-XXX-B / PF20S-XXX-XXX-B 2" METALLIC FLAP VALVE DIAPHRAGM PUMP

