

SALES AND ENGINEERING DATA

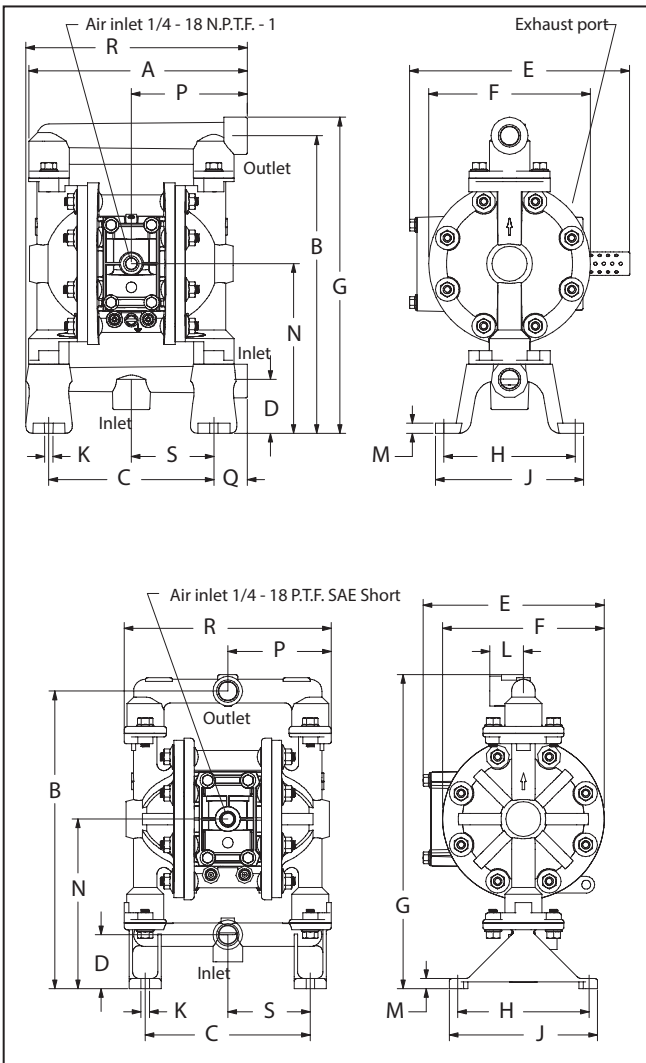
PD05X-XXS-XXX-B, PE05X-XXS-XXX-B AND PZ05X-XXS-XXX-B 1/2" METALLIC DIAPHRAGM PUMP

RATIO SERIES: **1:1**

FLUID PSIG RANGE: **10 - 100**

RELEASED: 11-23-05
REVISED: 6-17-22
(REV: H) S-1381

DIMENSIONAL DATA



DIMENSIONS

A - 8-1/8" (206.0 mm)	J - 5-1/2" (139.7 mm)
B - 11-1/16" (280.4 mm)	K - 5/16" (8.0 mm)
C - 6-1/8" (155.6 mm)	L - 1-1/4" (31.8 mm)
D - 2" (50.8 mm)	M - 3/8" (9.5 mm)
E - see below	N - 6-5/16" (159.9 mm)
F - 6" (152.4 mm)	P - see below
G - see below	Q - 1-1/4" (31.6 mm)
H - 4-7/8" (123.8 mm)	R - see below
	S - 3-1/16" (77.8 mm)

<u>Dimension</u>	<u>PX05A-XXS-XXX-B</u>	<u>PX05R-XXS-XXX-B</u>
"E"	8-3/16" (207.9 mm)	6-23/32" (170.6 mm)
"G"	11-3/4" (297.9 mm)	11-21/32" (296.0 mm)
"P"	4-5/16" (109.3 mm)	3-27/32" (97.6 mm)
"R"	8-7/32" (208.5 mm)	7-11/16" (195.2 mm)

NOTE: Dimensions are shown in inches and (mm), supplied for reference only and are typically rounded up to the nearest 1/16 inch.

SPECIFICATIONS

CONSTRUCTION

Model Series	PD05X-XXS-XXX-B PE05X-XXS-XXX-B PZ05X-XXS-XXX-B
Pump Type	Metallic, Air Operated, Double Diaphragm
Ratio	1:1
Material Inlet / Outlet (female)	
PX05X-AXS-XXX-B	1/2 - 14 NPTF - 1
PX05X-BXS-XXX-B	Rp 1/2 (1/2 - 14 BSP, parallel)
Air Inlet	
PX05A-XXS-XXX-B	1/4 - 18 NPTF - 1
PX05R-XXS-XXX-B	1/4 - 18 P.T.F. SAE short
Air Exhaust	
PX05A-XXS-XXX-B	3/8 - 18 NPTF - 1
PX05R-XXS-XXX-B	internal
(optional)(PX05R-X-X-B)	3/8 - 18 NPTF - 1
Weight .PX05A-XAS-XXX-B	10.36 lbs (4.70 kgs)
PX05A-XSS-XXX-B	16.57 lbs (7.52 kgs)
PX05R-XAS-XXX-B	8.04 lbs (3.65 kgs)
PX05R-XSS-XXX-B	14.25 lbs (6.46 kgs)
Air Section Service Kit	637428
Fluid Section Service Kit	637427-XX

PX05X-XXS-X-XX-B

637427-XX

Diaphragm Material
Ball Material

EXAMPLE: Model #PD05A-AAS-SAA-B
Fluid Section Service Kit is 637427-AA

PERFORMANCE

Air Inlet Pressure Range	10 - 100 psig (0.69 - 6.9 bar)
Maximum Material Inlet Pressure ..	10 psig (0.69 bar)
Fluid Outlet Pressure Range	10 - 100 psig (0.69 - 6.9 bar)
Maximum Flow Rate (flooded inlet)	12.0 g.p.m. (45.4 lpm)
Displacement / Cycle @ 100 psig	0.039 gal. (0.15 lit.)
Maximum Particle Size	3/32" dia. (2.4 mm)
Maximum Temperature Limits (diaphragm / ball / seat material)	
E.P.R./EPDM	-60° to 280° F (-51° to 138° C)
Hytrel	-20° to 180° F (-29° to 82° C)
Nitrile	10° to 180° F (-12 to 82° C)
Polypropylene	32° to 175° F (0° to 79° C)
Polyurethane	-10° to 150° F (-23° to 66° C)
Santoprene	-40° to 225° F (-40° to 107° C)
PTFE	40° to 225° F (4° to 107° C)
Viton	-40° to 350° F (-40° to 177° C)
Noise Level @ 70 psig - 60 cpm ^① ..	75.0 dB(A) ^②

Notes:

① Tested with 67367 muffler assembly installed.

② The pump sound pressure level has been updated to an Equivalent Continuous Sound Level (LAeq) to meet the intent of ANSI S1. 13-1971, CAGI-PNEUROP S5.1 using four microphone locations.

ACCESSORIES:

66073-1 Air Line Connection Kit
637438 Ported Exhaust Kit
93110 Muffler

INGERSOLL RAND COMPANY INC

209 NORTH MAIN STREET - BRYAN, OHIO 43506

① (800) 495-0276 • FAX (800) 892-6276

© 2022

CCN 15256530

arozone.com

ARO

IR Ingersoll Rand®

PERFORMANCE CURVES

PX05X-XXS-XXX-B 1/2" METALLIC DIAPHRAGM PUMP

