

# SALES AND ENGINEERING DATA

RATIO SERIES:	<b>1:1</b>
FLUID P.S.I. RANGE:	<b>20 - 120</b>

## SB20P-XXX-X, SB20R-XXX-X SHOCK BLOCKER® 2" NON-METALLIC PULSATION DAMPENER

RELEASED: 4-01-20  
(REV: A) S-1622

### SPECIFICATIONS

Model Series ..... SB20P-XXX-X, SB20R-XXX-X  
Pulsation Dampener Type ..... Non-Metallic

#### Material Inlet / Outlet

SB20P-AXX-X ..... 2-11-1/2 NPTF-1  
SB20P-BXX-X ..... Rp 2 (2-11 BSP parallel)  
SB20P-FPS-X ..... 2" ANSI / DIN Flange Inlet and Outlet  
SB20P-KPS-X ..... 2" ANSI / DIN Flange Fluid Inlet /  
NPTF Fluid Outlet  
SB20P-LPS-X ..... 2" ANSI / DIN Flange Fluid Inlet /  
BSPP Fluid Outlet

Air Inlet (female) ..... 3/4 - 14 NPT

Air Exhaust (female) ..... 1/8 - 27 NPT

#### Weight

SB20P-AXX-X ..... 41 lbs (18.6 kgs)  
SB20P-BXX-X ..... 41 lbs (18.6 kgs)  
SB20P-EXX-X ..... 45 lbs (20.4 kgs)  
SB20P-KXX-X ..... 43 lbs (19.5 kgs)  
SB20P-LXX-X ..... 43 lbs (19.5 kgs)

[add 9 lbs SB20R-XXX-X configuration with stainless steel valve body]

Pulsation Dampener Service Kit .... 637550-X

SB20P - XXX -

637550 -

Diaphragm

Example: Model # SB20P-BPS-G

Pulsation Dampener Service Kit # 637550-G

### PERFORMANCE

Maximum Air Inlet Pressure ..... 120 psig (8.3 bar)

Maximum Material Inlet Pressure ... 120 psig (8.3 bar)

Maximum Temperature Limits (diaphragm / seat material)

E.P.R. / EPDM ..... -60° to 280° F (-51° to 138° C)  
Nitrile ..... 10° to 180° F (-12° to 82° C)  
Santoprene® ..... -40° to 225° F (-40° to 107° C)  
PTFE ..... 40° to 225° F (4° to 107° C)  
Viton® ..... -40° to 350° F (-40° to 177° C)

#### Maximum Fluid Volume

SB20P-APS-X ..... 184 in.<sup>3</sup> (3.02 lit.)  
SB20P-BPS-X ..... 184 in.<sup>3</sup> (3.02 lit.)  
SB20P-FPS-X ..... 226 in.<sup>3</sup> (3.70 lit.)  
SB20P-KPS-X ..... 206 in.<sup>3</sup> (3.38 lit.)  
SB20P-LPS-X ..... 206 in.<sup>3</sup> (3.38 lit.)

[Volumes same for SB20R-XXX-X configuration]

#### 1-1/2" Pump % Reduction in Pulsation

Back Pressure (P.S.I.)	% Reduction in Pulsation		
	40	60	80
40	80%	70%	70%
60	80%	70%	70%
80	80%	70%	65%
100	80%	70%	70%
	1	20	40 60 80
	Flow (g.p.m.)		

#### 2" Pump % Reduction in Pulsation

Back Pressure (P.S.I.)	% Reduction in Pulsation		
	40	60	80
40	65%	55%	55%
60	70%	60%	60%
80	70%	55%	55%
100	60%	55%	55%
	3	30	70 100 130
	Flow (g.p.m.)		

### DIMENSIONAL DATA

Dimensions shown are for reference only, they are displayed in inches and millimeters (mm).

#### Model SB20P-APS-X, SB20P-BPS-X

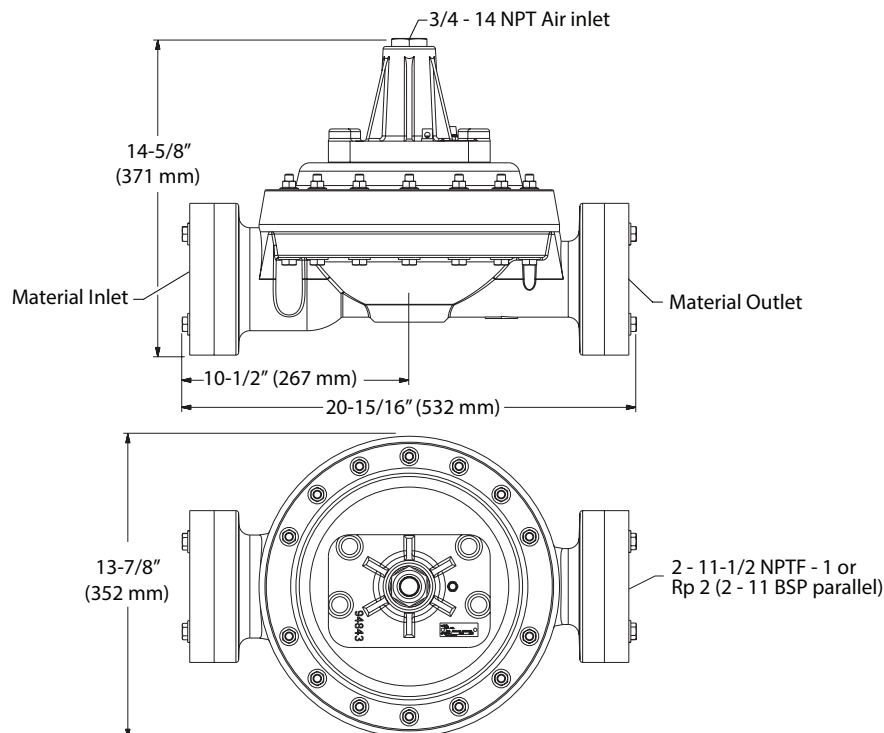
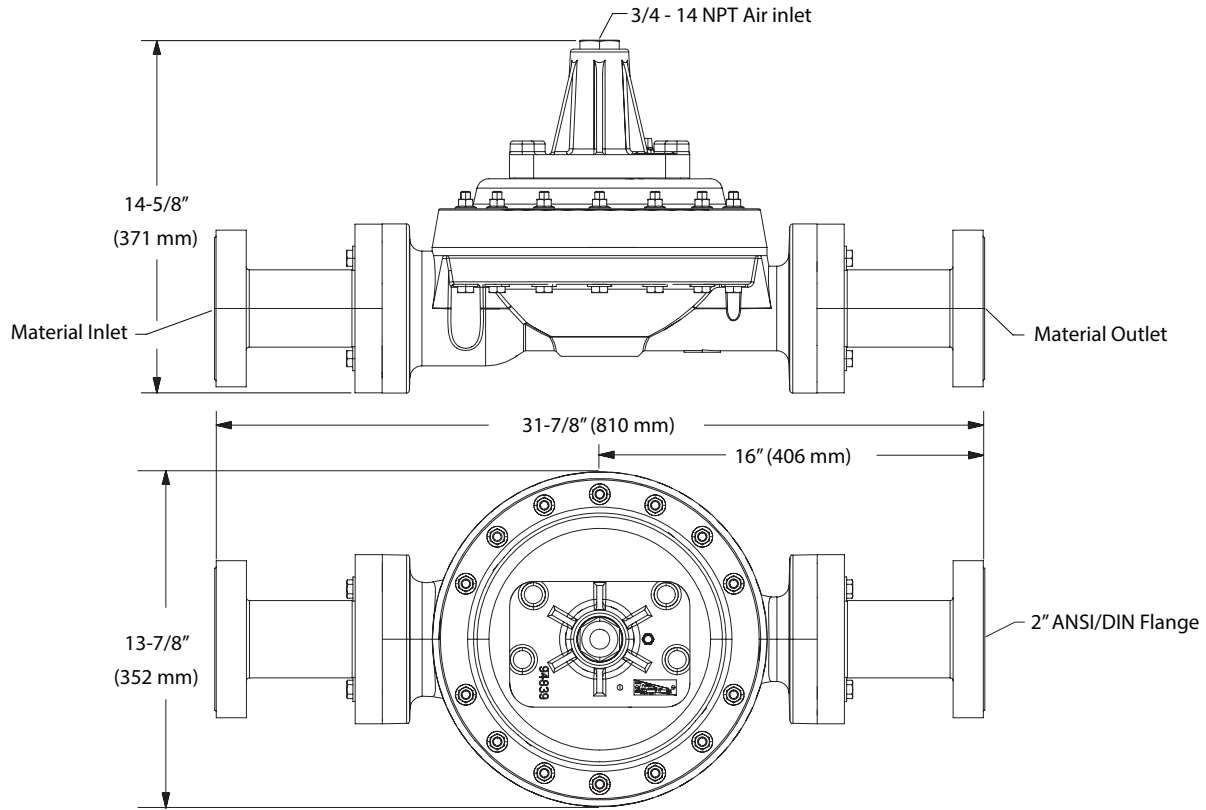


Figure 1

## DIMENSIONAL DATA

Dimensions shown are for reference only, they are displayed in inches and millimeters (mm).

### Model SB20P-FPS-X



### Model SB20P-KPS-X, SB20P-LPS-X

