

# SALES AND ENGINEERING DATA

## PD20A-XXX-XXX-B / PD20S-XXX-XXX-B PE20A-XXX-XXX-B ( ) / PE20S-XXX-XXX-B ( ) PZ20A-XXX-XXX-B / PZ20S-XXX-XXX-B 2" METALLIC DIAPHRAGM PUMP

RATIO SERIES: **1:1**

FLUID PSIG RANGE: **20 - 120**

RELEASED: 2-3-05  
REVISED: 6-17-22  
(REV: G) S-1338

### SPECIFICATIONS

#### CONSTRUCTION

<b>Model Series</b> .....	PD20A-X-X-B / PD20S-X-X-B PE20A-X-X-B ( ) / PE20S-X-X-B ( ) PZ20A-X-X-B / PZ20S-X-X-B
<b>Pump Type</b> .....	Metallic, Air Operated, Double Diaphragm
<b>Ratio</b> .....	1:1
<b>Material Inlet / Outlet (female)</b>	
PX20X- <u>A</u> XX-XXX-B( ) .....	2 - 11-1/2 NPTF - 1
PX20X- <u>B</u> XX-XXX-B( ) .....	Rp 2 (2 - 11 BSP parallel)
PX20X- <u>F</u> XX-XXX-B( ) .....	2" A.N.S.I / DIN Flange
<b>Air Inlet (female)</b> .....	3/4 - 14 NPTF - 1
<b>Air Exhaust (female)</b> .....	1-1/2 - 11-1/2 NPT
<b>Weight</b> . PX20A- <u>X</u> AX-XXX-B( ) .....	91.4 lbs (41.5 kgs)
PX20A- <u>X</u> CX-XXX-B( ) .....	147.4 lbs (66.9 kgs)
PX20A- <u>A</u> HX-XXX-B( ), -BHX ...	155.0 lbs (70.3 kgs)
PX20A- <u>A</u> SX-XXX-B( ), -BSX ...	149.8 lbs (68.0 kgs)
PX20A- <u>F</u> HX-XXX-B( ), .....	169.4 lbs (76.8 kgs)
PX20A- <u>F</u> SX-XXX-B( ), .....	162.0 lbs (73.5 kgs)
	(add 28.9 lbs [13.1 kgs] for stainless steel air motor section)
<b>Air Section Service Kit</b> .....	637421
<b>Fluid Section Service Kit</b> .....	637309-XX
<b>Major Air Valve Assembly</b> .....	637374-X

#### PERFORMANCE

<b>Air Inlet Pressure Range</b> .....	20 - 120 psig (1.4 - 8.3 bar)
<b>Maximum Material Inlet Pressure</b> ...	10 psig (0.69 bar)
<b>Fluid Pressure Range</b> .....	20 - 120 psig (1.4 - 8.3 bar)
<b>Maximum Flow Rate</b> .....	172 g.p.m. (651 lpm)
<b>Displacement / Cycle @ 100 psig</b> ....	1.4 gal. (5.3 lit.)
<b>Maximum Particle Size</b> .....	1/4" dia. (6.4 mm)
<b>Maximum Temperature Limits (diaphragm / ball / seat material)</b>	
E.P.R. / EPDM .....	-60° to 280° F (-51° to 138° C)
Hytrel® .....	-20° to 180° F (-29° to 82° C)
Nitrile .....	10° to 180° F (-12 to 82° C)
PVDF .....	10° to 200° F (-12° to 93° C)
Santoprene® .....	-40° to 225° F (-40° to 107° C)
PTFE .....	40° to 225° F (4° to 107° C)
Viton® .....	-40° to 350° F (-40° to 177° C)
<b>Noise Level @ 70 psig - 60 cpm</b> ® ...	85.0 dB(A)®
①	Tested with 67263 muffler assembly installed.
②	The pump sound pressure level has been updated to an Equivalent Continuous Sound Level (LAeq) to meet the intent of ANSI S1. 13-1971, CAGI-PNEUROP S5.1 using four microphone locations.

#### ACCESSORIES:

66312 Air Line Connection Kit  
67263 Continuous Muffler  
94117 Int. Muffler

PX20X-XXX-X[XX]-B( )

637309 - [XX]

└─ Diaphragm Material  
└─ Ball Material

EXAMPLE: Model #PD20A-AAP-AAA-B  
Fluid Section Service Kit is 637309-AA

#### INGERSOLL RAND COMPANY INC

209 NORTH MAIN STREET – BRYAN, OHIO 43506

① (800) 495-0276 • FAX (800) 892-6276

© 2022

CCN 15227721

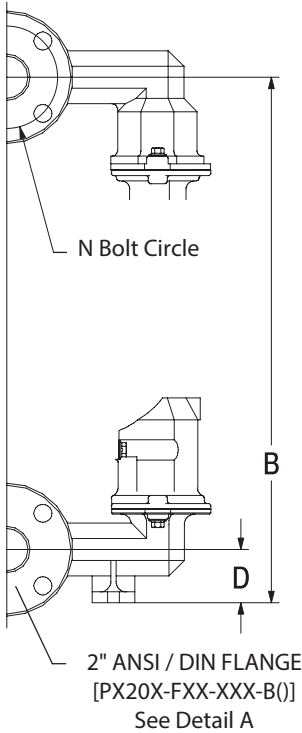
arozone.com

# ARO

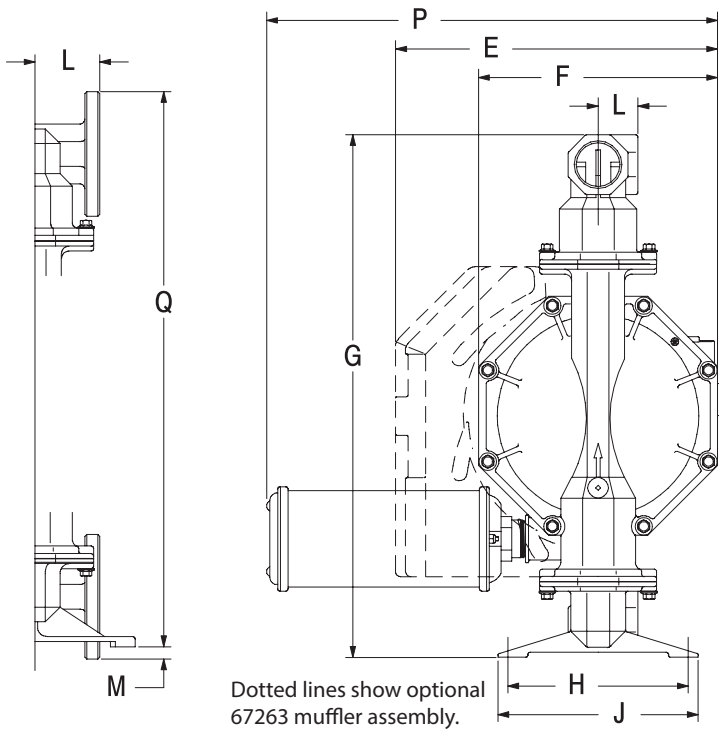
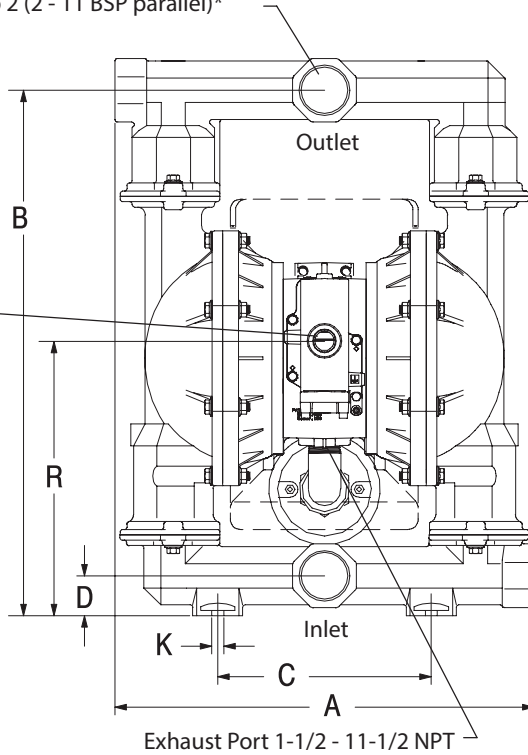
**IR** Ingersoll Rand®

## DIMENSIONAL DATA

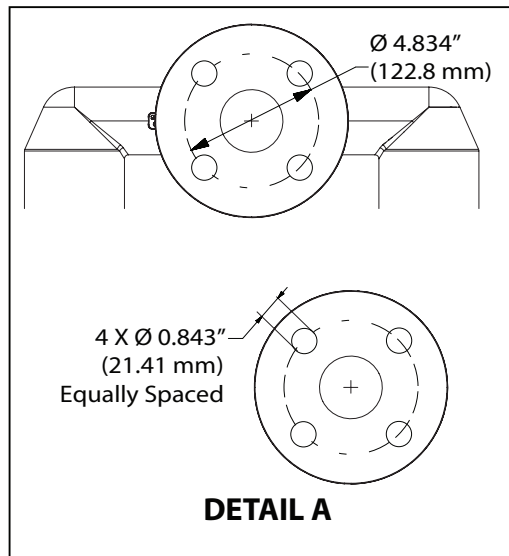
[PX20X-AXX-XXX-B( )] 2 - 11-1/2 NPTF - 1  
 [PX20X-BXX-XXX-B( )] Rp 2 (2 - 11 BSP parallel)\*



Air Inlet  
3/4 - 14 NPTF - 1



Dotted lines show optional 67263 muffer assembly.



### DIMENSIONS

- |                       |                       |                       |                       |
|-----------------------|-----------------------|-----------------------|-----------------------|
| A - see below         | E - 16.18" (411.2 mm) | J - 10.06" (255.6 mm) | N - 4.834" (122.8 mm) |
| B - 24.75" (628.7 mm) | F - 12" (304.8 mm)    | K - 0.56" (14.3 mm)   | P - 21.62" (548 mm)   |
| C - 10.06" (255.6 mm) | G - 26.25" (666.8 mm) | L - see below         | Q - 27.87" (708.0 mm) |
| D - see below         | H - 9.06" (230.2 mm)  | M - 0.62" (15.9 mm)   | R - see below         |

	"A"	"D"	"L"	"R"
PX20X-XAX-XXX-B( )	19.75" (501.7 mm)	1.87" (47.6 mm)	2" (50.8 mm)	12.93" (328.6 mm)
PX20X-XCX-XXX-B( )	19.75" (501.7 mm)	1.87" (47.6 mm)	2" (50.8 mm)	12.93" (328.6 mm)
PX20X-AHX-XXX-B( ), -BH	19.25" (488.7 mm)	2.5" (63.5 mm)	2.09" (53.0 mm)	13.56" (344.5 mm)
PX20X-ASX-XXX-B( ), -BS	19.37" (492.1 mm)	2.5" (63.5 mm)	2.09" (53.0 mm)	13.56" (344.5 mm)
PX20X-FHX-XXX-B( )	19.25" (488.7 mm)	2.5" (63.5 mm)	3.25" (82.6 mm)	13.56" (344.5 mm)
PX20X-FSX-XXX-B( )	19.37" (492.1 mm)	2.5" (63.5 mm)	3.25" (82.6 mm)	13.56" (344.5 mm)

**NOTE:** Dimensions are shown in inches and (mm), supplied for reference only and are typically rounded up to the nearest 1/16 inch.

\* Side Discharge Ports are not available on PX20X-XSX-X-B Models.

## PERFORMANCE CURVES

**PD20X-XXX-XXX-B / PE20X-XXX-XXX-B() / PZ20X-XXX-XXX-B 2" METALLIC DIAPHRAGM PUMP**

