

RELEASED: 10-25-04  
 REVISED: 5-24-16  
 (REV: D)

## 67345-1 Follower Assembly

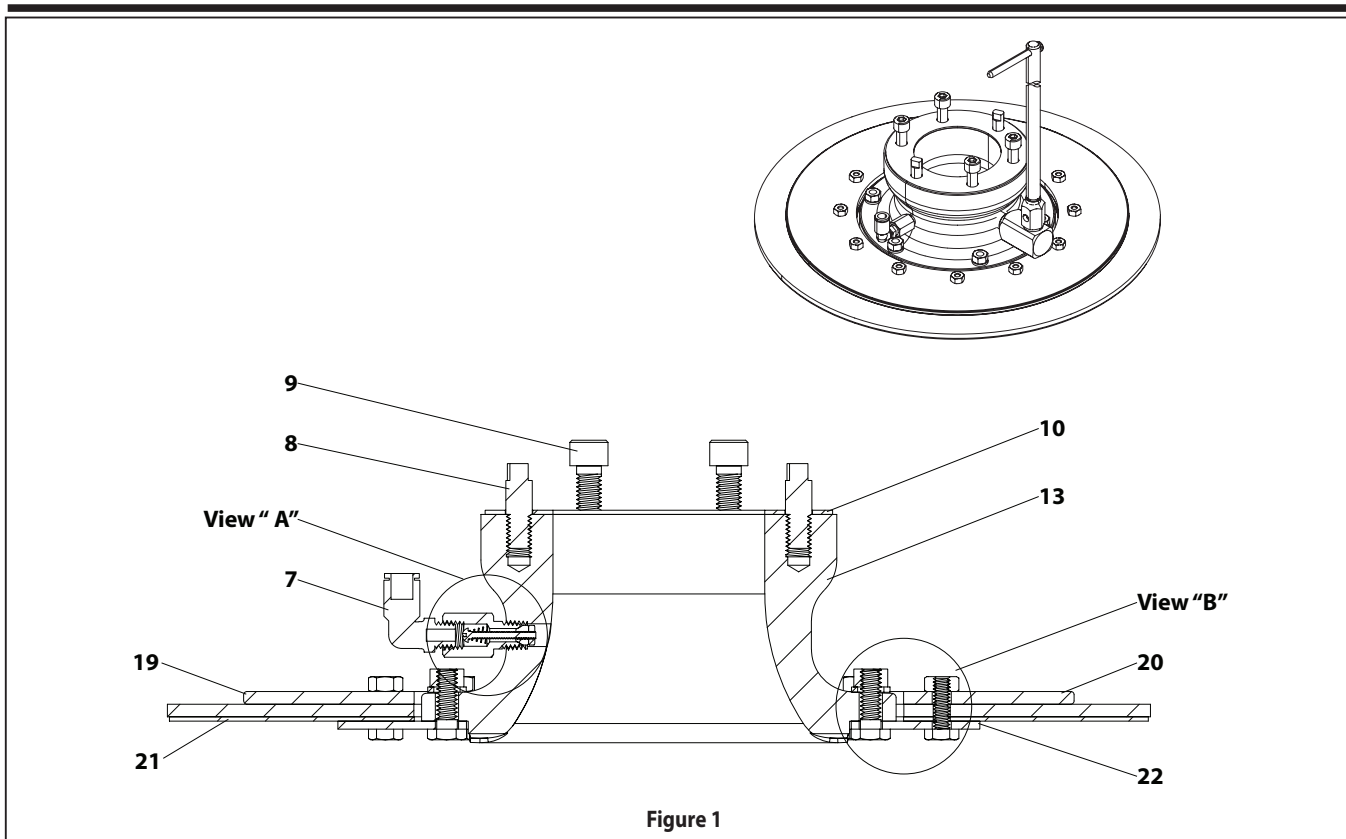


Figure 1

Item	Description (size)	Qty	Part No.	Mtl
1	Check Valve Body (1/8 - 27 N.P.T.F. - 1)	(1)	93987	[SS]
2	Machine Screw (#4 - 40 x 1")	(1)	Y8-251-S	[SS]
3	Spring	(1)	93989	[SS]
4	Valve Nut	(1)	93986	[D]
5	Nut (#4 - 40)	(1)	Y22-4-S	[SS]
6	Valve Assembly (includes items 1 - 5)	(1)	67130	
7	Elbow (1/8 - 27 N.P.T. x 5/16" o.d. tube)	(1)	59756-58	
8	Stud (3/8" - 16)	(2)	91263	[C]
9	Cap Screw (3/8" - 16 x 1-1/4")	(4)	Y99-63-C	[C]
10	Flat Gasket	(1)	90552	[B]
11	Valve Assembly (3/8-18 N.P.T.F.-1)	(1)	62113-1	[SS]

Item	Description (size)	Qty	Part No.	Mtl
12	Elbow (3/8-18 N.P.T.F.-1)	(1)	97510	[SS]
13	Adapter	(1)	96138	[DI]
14	Nut (1/4" - 20)	(12)	Y12-4-S	[SS]
15	Cap Screw (1/4" - 20 x 3/4")	(12)	Y6-43-T	[SS]
16	Nut (5/16" - 18)	(6)	Y12-5-C	[C]
17	Lock Washer (5/16")	(6)	Y14-516-C	[C]
18	Cap Screw (5/16" - 18 x 7/8")	(6)	Y6-54-C	[C]
19	Clamp	(1)	96141	[C]
20	Wiper Seal (14-1/2" o.d.)	(1)	96257-1	[U]
21	Wiper Seal (14-7/16" o.d.)	(1)	96142	[Pe]
22	Plate	(1)	96137	[C]

### MATERIAL CODE

[B] = Nitrile                      [DI] = Ductile Iron                      [SS] = Stainless Steel  
 [C] = Carbon Steel              [Pe] = Polyethylene                      [U] = Polyurethane  
 [D] = Acetal

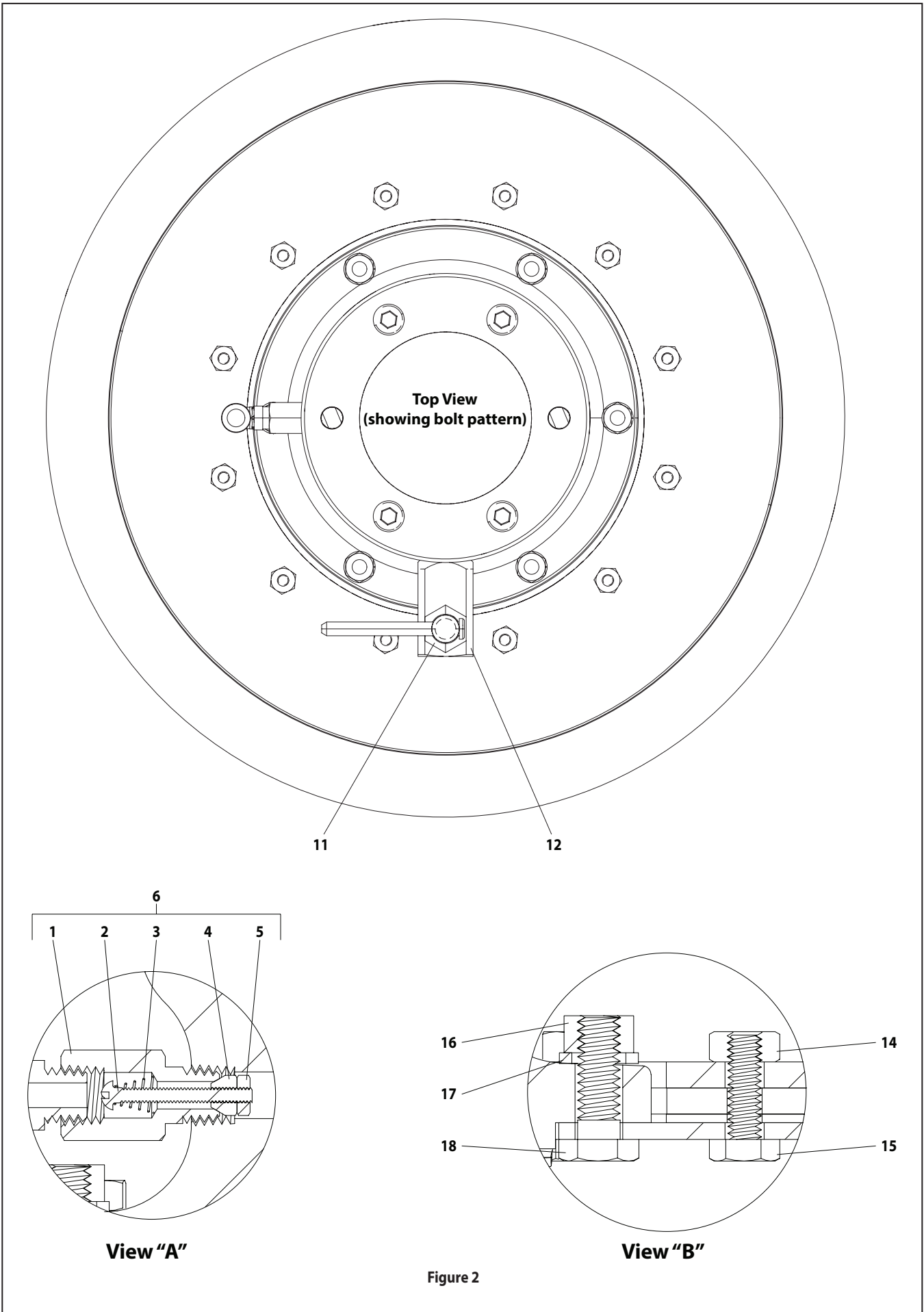


Figure 2