

# SALES & ENGINEERING DATA

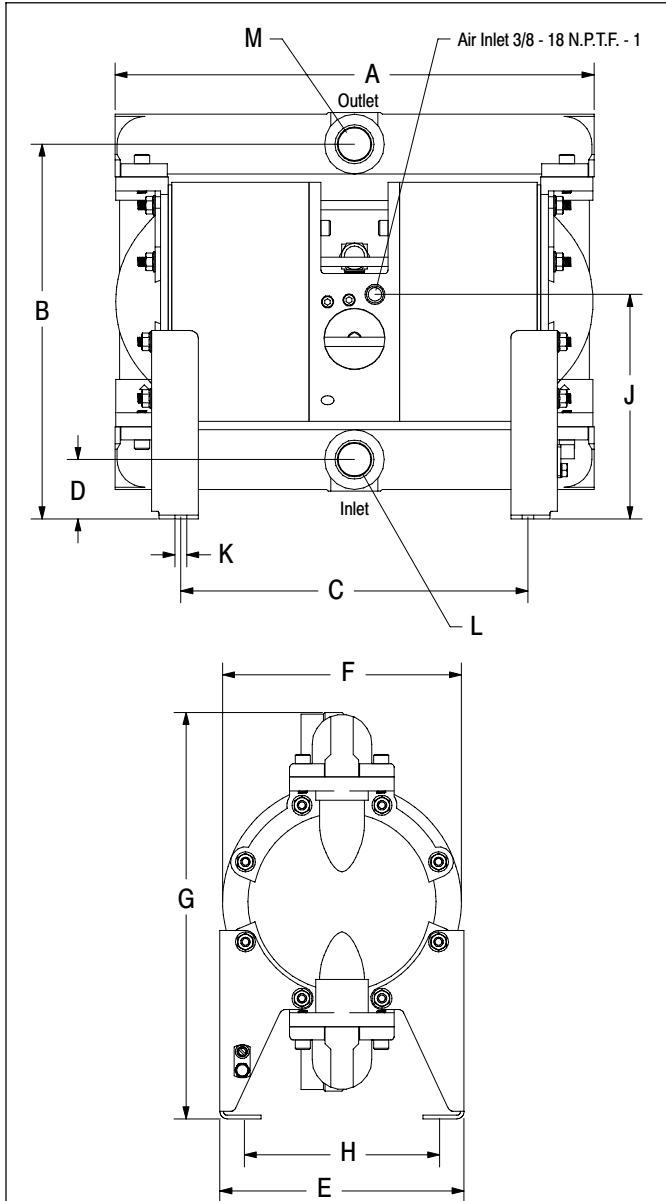
RATIO SERIES: **3:1**

FLUID P.S.I. RANGE: **60 - 300**

## PH10A-XSS-XXT 1" HIGH PRESSURE METALLIC DIAPHRAGM PUMP

RELEASED: 7-7-00  
REVISED: 6-10-10  
(REV. F) S-1193

### DIMENSIONAL DATA



#### DIMENSIONS

A	16-1/16" (407 mm)	E	8-3/16" (208 mm)	J	7-9/16" (191 mm)
B	12-9/16" (319 mm)	F	8" (203 mm)	K	13/32" (10 mm)
C	11-5/8" (295 mm)	G	13-5/8" (346 mm)	L	see below
D	2" (50 mm)	H	6-9/16" (166 mm)	M	see below

"L" Material Inlet

"M" Material Outlet

PH10A-ASS-XXT	1 - 1-1/2 N.P.T.F. - 1	1 - 1-1/2 N.P.T.F. - 1
PH10A-BSS-XXT	Rp1 (1 - 11 BSP parallel)	Rp1 (1 - 11 BSP parallel)

NOTE: Dimensions are shown in inches and (mm), supplied for reference only and are typically rounded up to the nearest 1/16 inch.

### SPECIFICATIONS

#### CONSTRUCTION

Model Series	PH10A-XSS-XXT
Pump Type	Metallic, Air Operated, High Pressure, Double Diaphragm
Ratio	3:1
Material Inlet / Outlet (female)	
models PH10A-ASS-XXT	1 - 1-1/2 N.P.T.F. - 1
models PH10A-BSS-XXT	Rp1 (1 - 11 BSP parallel)
Air Inlet	3/8 - 18 N.P.T.F. - 1
Air Exhaust	3/8 - 18 N.P.T.F. - 1
Weight	94.73 lbs (42.97 kgs)
Air Section Service Kit	637338
Fluid Section Service Kit	
models PH10A-XSS-XHT	637339-1
models PH10A-XSS-XST	637339

#### PERFORMANCE

Air Inlet Pressure Range	20 - 100 p.s.i. (1.4 - 6.9 bar)
Fluid Pressure Range	60 - 300 p.s.i. (4.1 - 20.7 bar)
Maximum Flow Rate (flooded inlet)	26 g.p.m. (98.4 l.p.m.)
Maximum Particle Size	1/8" dia. (3.2 mm)
Maximum Temperature Limits (diaphragm / ball / seal material)	
Nitrile	10° to 180° F (-12° to 82° C)
PTFE	40° to 225° F (4° to 107° C)
Displacement / Cycle @ 100 p.s.i.	0.06 gal. (0.23 lit.)
Noise Level @ 70 p.s.i. - 60 c.p.m.①	84.5 db(A)②

#### Notes:

① Tested with 93110 muffler installed.

② The pump sound pressure level has been updated to an Equivalent Continuous Sound Level ( $L_{Aeq}$ ) to meet the intent of ANSI S1. 13-1971, CAGI-PNEUROP S5.1 using four microphone locations.

#### ACCESSORIES:

67142 Wall Mount Bracket

INGERSOLL RAND COMPANY LTD

209 NORTH MAIN STREET - BRYAN, OHIO 43306

☎ (800) 495-0276 • FAX(800) 892-6276  
www.ingersollrandproducts.com

© 2010

CCN 15260227

# ARO

**IR** Ingersoll Rand  
Industrial Technologies

# PERFORMANCE CURVES

