

SALES AND ENGINEERING DATA

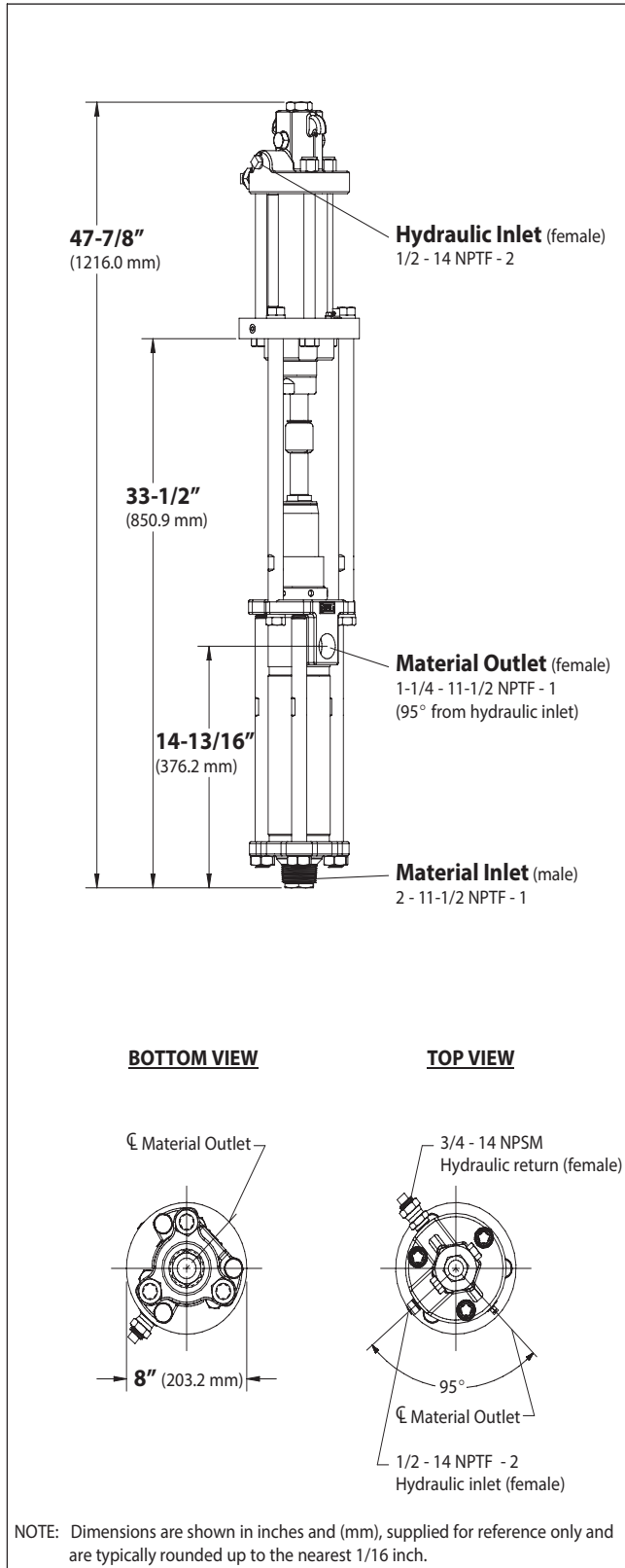
RATIO: 0.8:1
SERIES:

FLUID PSIG: 40 - 1600
RANGE:

RELEASED: 9-21-01
REVISED: 8-18-17
(REV: H) S-1024

650940-XXD-B TWO - BALL PUMP

DIMENSIONAL DATA



SPECIFICATIONS

CONSTRUCTION

Model Series (refer to option chart)	650940-XXD-B
Pump Type	Hydraulic Operated, Two Ball, Double Acting Pump
Ratio	0.8:1
Hydraulic Motor	67314-B
Motor Repair Kit	637450
Motor Size	4.125 sq." (26.6 sq. cm)
Stroke	6" (15.2 cm)
Hydraulic Inlet (female)	1/2 - 14 NPTF - 2
Hydraulic Return (female)	3/4 - 14 NPSM
Lower Pump End Series	66941-XXD
Lower Pump Repair Kit	637211-XX3
Packing Options:	

C - UHMW-PE
K - Carbon Graphite filled PTFE with Nitrile Energizer
L - Mineral filled PTFE
P - UHMW-PE / Mineral filled PTFE staggered upper • UHMW-PE lower
R - Glass filled PTFE / UHMW-PE staggered upper • Mineral filled PTFE lower

Material Inlet (male)	2 - 11-1/2 NPTF - 1
Material Outlet (female)	1-1/4 - 11-1/2 NPTF - 1

MATERIALS OF CONSTRUCTION

Outlet Body	CF-8M Stainless Steel (316)
Cylinder	15-5 Stainless Steel, Chrome plated
Plunger	15-5 Stainless Steel, Chrome plated
Upper Ball	440 Stainless Steel
Upper Seat	650940-X6D-B .. 440 Stainless Steel 650940-XDD-B .. Tungsten Carbide
Lower Ball	440 Stainless Steel
Lower Seat	650940-X6D-B .. 440 Stainless Steel 650940-XDD-B .. Tungsten Carbide
Inlet Body	CF-8M Stainless Steel (316)
Weight	140 lbs (63.5 kgs)

PERFORMANCE

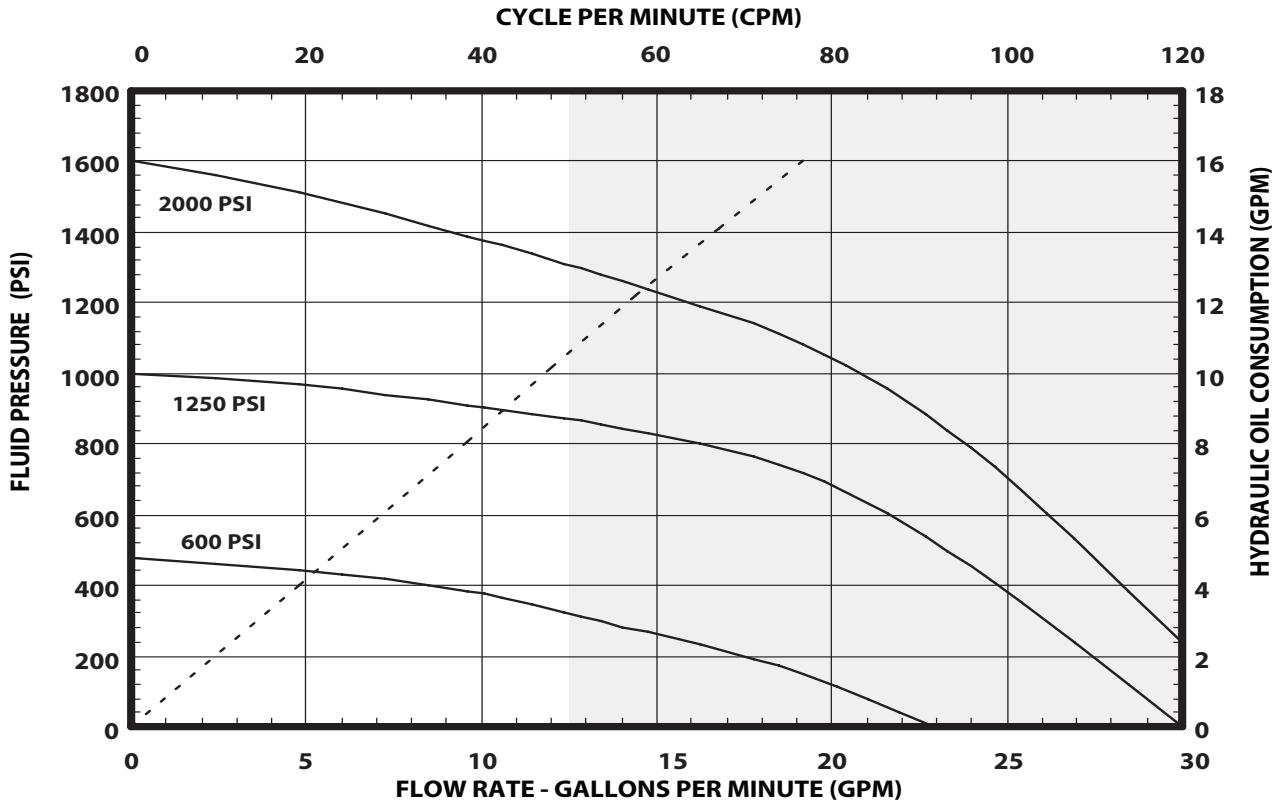
Hydraulic Inlet Pressure Range	50 - 2000 psig (3.4 - 137.9 bar)
Fluid Pressure Range	40 - 1600 psig (2.8 - 110.3 bar)
Required H-power @ 50 cpm	3.2 @ 1200 psig (82.8 bar)
Hydraulic flow req'd @ 50 cpm	8.7 gpm (32.9 lpm)
Maximum Rec'd Cycles / Minute	50
Displacement Per Cycle	59.6 In ³ (977 cc)
Cycles Per Gallon	3.9
Flow @ 50 Cycles / Minute	12.9 gpm (48.8 lpm)
Noise Level	N / A
Maximum Temperature Limit	130° F (54° C)

ACCESSORIES:

- 62151 Wall Mount Bracket
- 65138 Floor Mount
- 67136 Floor / Follower Adapter

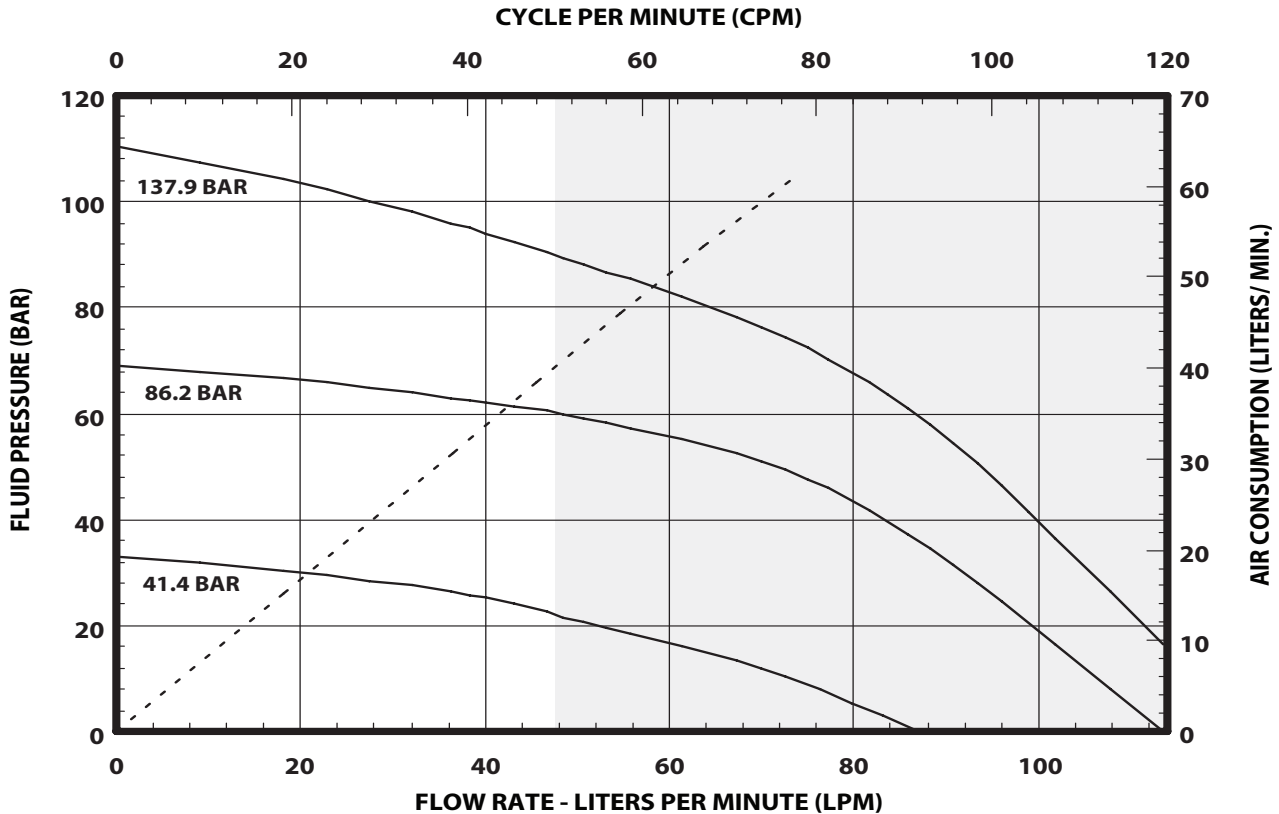
PERFORMANCE CURVES

PERFORMANCE BASED ON 30wt. OIL (100cSt) AT 40°C TEMPERATURE



NOTE: NON SHADED AREA OF THE GRAPH REPRESENTS RECOMMENDED OPERATING RANGE

PERFORMANCE BASED ON 30wt. OIL (100cSt) AT 40°C TEMPERATURE



NOTE: NON SHADED AREA OF THE GRAPH REPRESENTS RECOMMENDED OPERATING RANGE