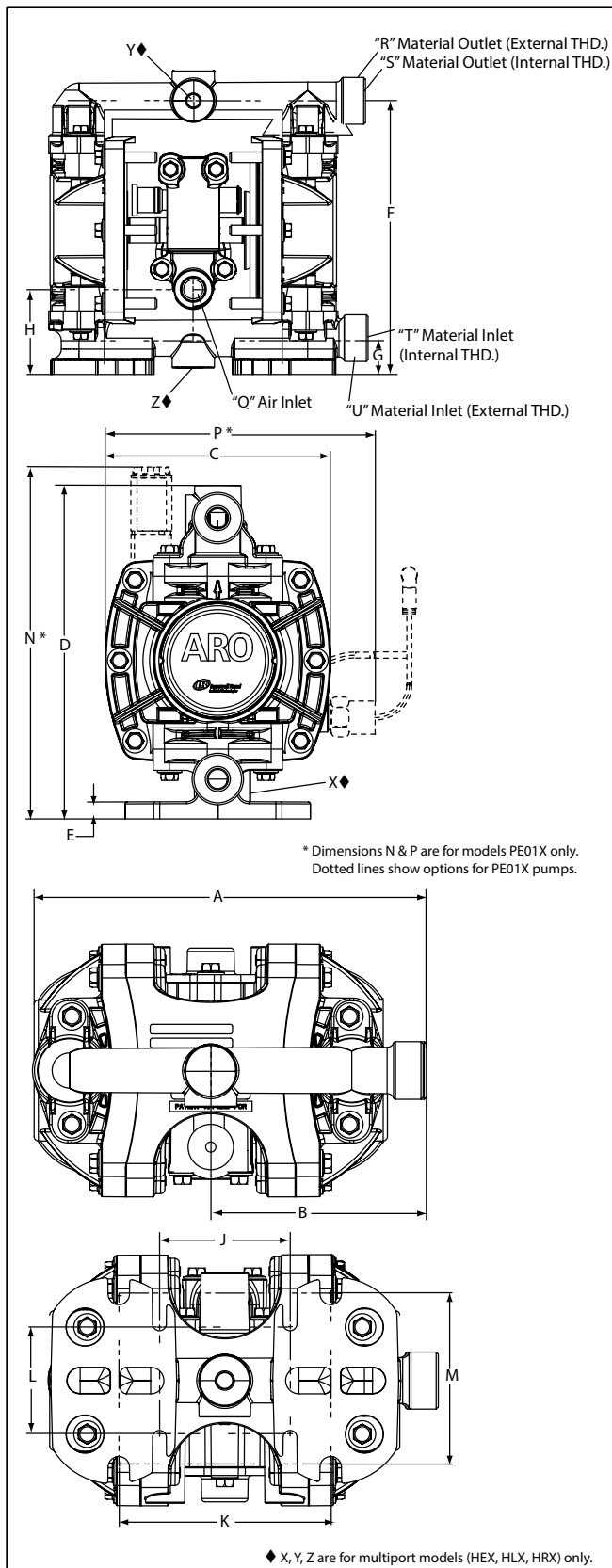


# SALES & ENGINEERING DATA

## PX01X-XXX-XXX-AXXX 1/4" DIAPHRAGM PUMP

RATIO SERIES:	<b>1:1</b>
FLUID PSIG RANGE:	<b>10 - 125</b>
RELEASED:	3-7-13
REVISED:	7-14-14
(REV. C)	

### DIMENSIONAL DATA



### SPECIFICATIONS

<b>Model Series</b>	PD01X-XXX-XXX-AXXXX, PE01X-XXX-XXX-AXXX
<b>Pump Type</b>	Non-Metallic Air Operated Double Diaphragm
<b>Ratio</b>	1:1
<b>Air Inlet</b>	Q - 1/4 - 18 PTF SAE Short
<b>Weight</b>	Polypropylene..... 2.86 lbs (1.30 kgs) PVDF..... 3.88 lbs (1.76 kgs) Acetal..... 3.52 lbs (1.60 kgs)

### PERFORMANCE

<b>Maximum Air Inlet Pressure</b>	125 psig (8.6 bar)
<b>Minimum Air Inlet Pressure</b>	10 psig (0.69 bar)
<b>Maximum Outlet Pressure</b>	125 psig (8.6 bar)
<b>Maximum Flow Rate</b>	5.3 gpm (20 lpm)
<b>Maximum Material Inlet Pressure</b>	10 psig (0.69 bar)
<b>Displacement / Cycle @ 125 psig</b>	0.019 gal / 0.072 ltrs
<b>Maximum Particle Size</b>	1/16" dia.(1.6 mm)
<b>Maximum Temperature Limits (diaphragm / ball / seat material)</b>	
Acetal	10° to 180° F (-12° to 82° C)
E.P.R. / EPDM	-60° to 280° F (-51° to 138° C)
Kynar® PVDF	10° to 200° F (-12° to 93° C)
Hytre®	-20° to 150° F (-29° to 66° C)
Neoprene	0° to 200° F (-18° to 93° C)
Nitrile®	10° to 180° F (-12° to 82° C)
Polypropylene	35° to 175° F (2° to 79° C)
Viton®	-40° to 350° F (-40° to 177° C)
Santoprene®	-40° to 225° F (-40° to 107° C)
PTFE	40° to 225° F (4° to 107° C)
<b>Noise Level @ 70 psig, 60 cpm</b>	62.3 dB(A)①

① The pump sound pressure levels published here have been updated to an Equivalent Continuous Sound Level ( $L_{Aeq}$ ) to meet the intent of ANSI S1.13-2005, CAGI-PNEUROP S5.1.

Mounting Adapter Plate Optional Accessory Kit (24123879) available. Please contact your nearest **ARO / Ingersoll Rand** customer service or distributor for details.

### DIMENSIONS

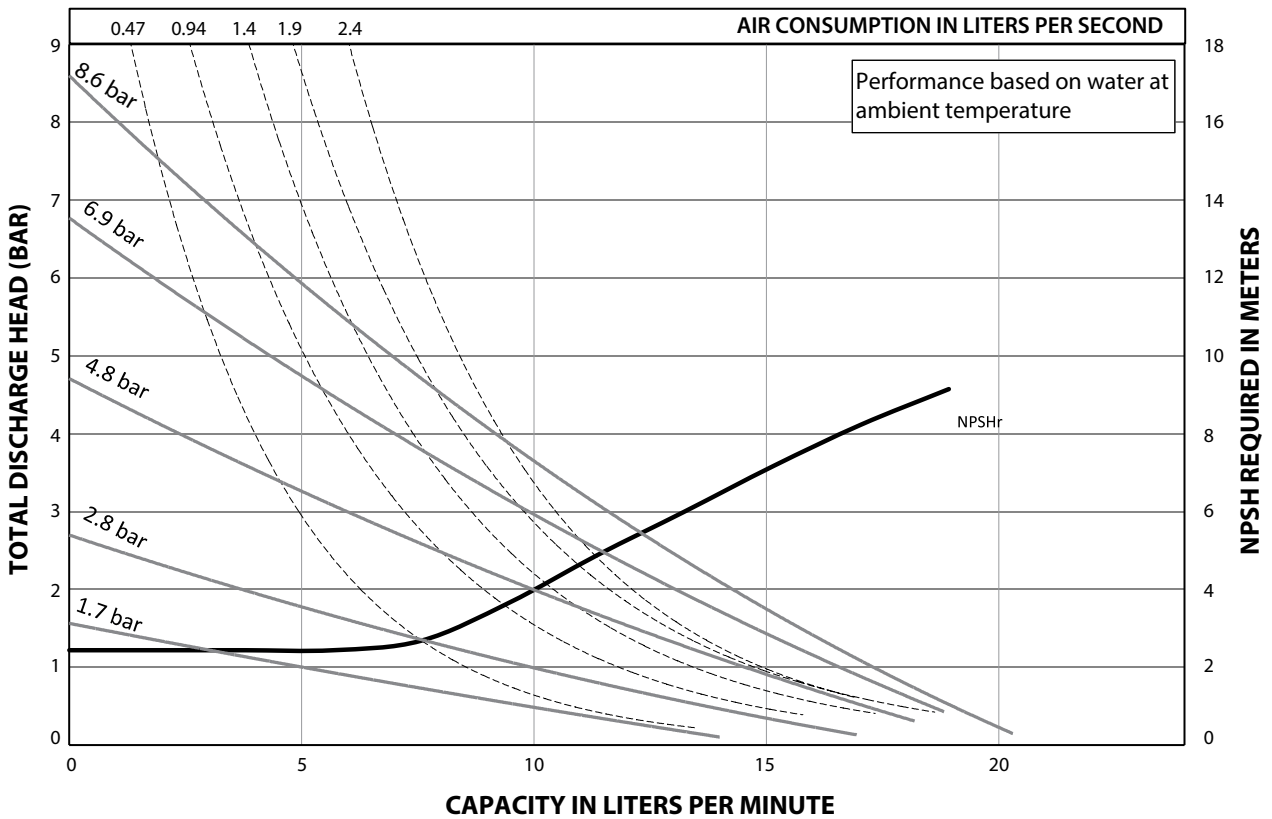
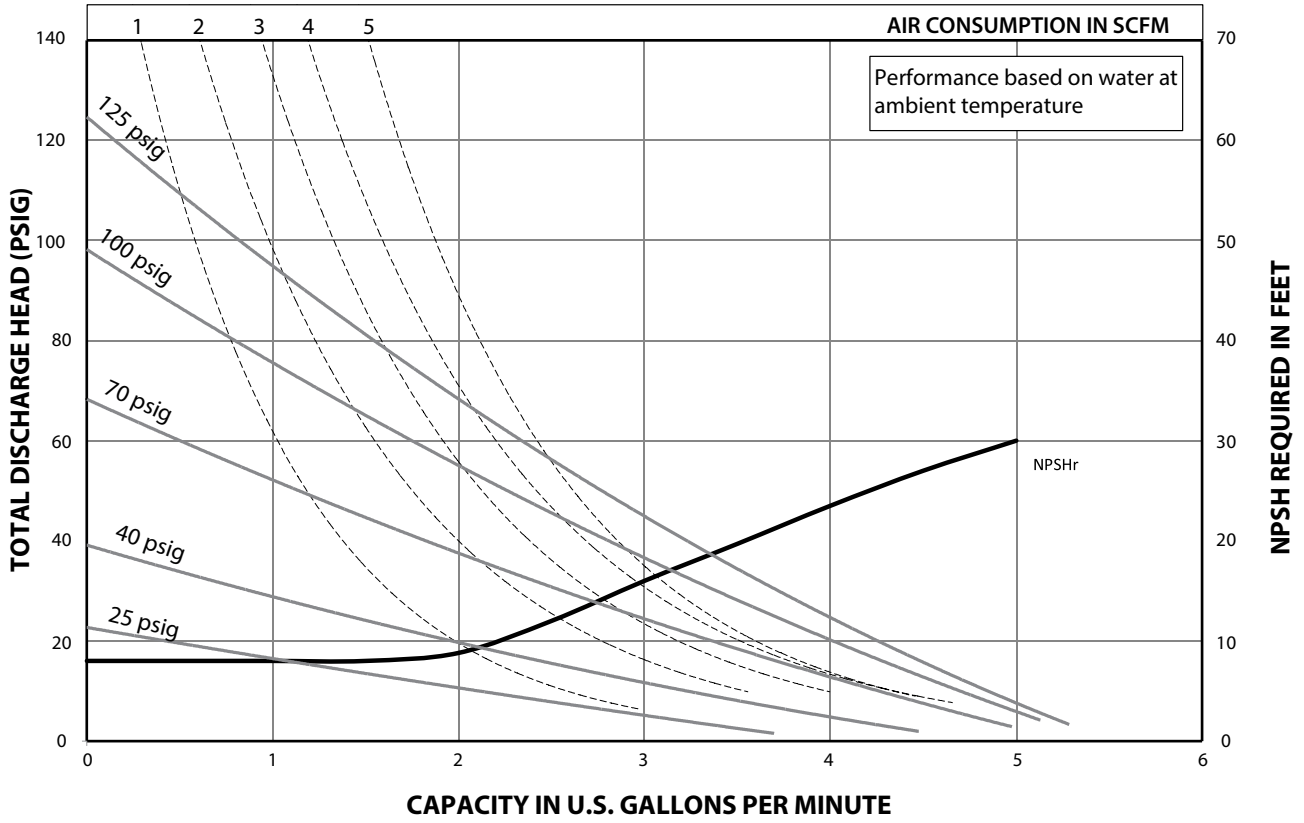
Dimensions shown are for reference only, they are displayed in inches and millimeters (mm).

A - 7.2" (182 mm)	H - 1.9" (48.6 mm)	Q - 1/4 - 18 PTF SAE Short	Z - 1/4 - 18 PTF SAE Short
B - 3.9" (100.0 mm)	J - 2.4" (61 mm)	R - 3/4-14 NPTF	
C - 4.6" (117.0 mm)	K - 3.9" (99 mm)	S - 1/4 NPTF / BSPT Hybrid*	
D - 6.8" (173.0 mm)	L - 2.1" (53 mm)	T - 1/4 NPTF / BSPT Hybrid*	
E - 0.3" (8.8 mm)	M - 3.2" (81 mm)	U - 3/4-14 NPTF	
F - 6.1" (156 mm)	N - 7.2" (184 mm)	X - 1/4-18 NPTF / BSPT Hybrid	
G - 0.8" (20.7 mm)	P - 5.6" (142.2 mm)	Y - 1/4 NPTF / BSPT Hybrid	

\* Multiport Options Discharge Manifold has (2) and Inlet Manifold has (3).

# PERFORMANCE CURVES

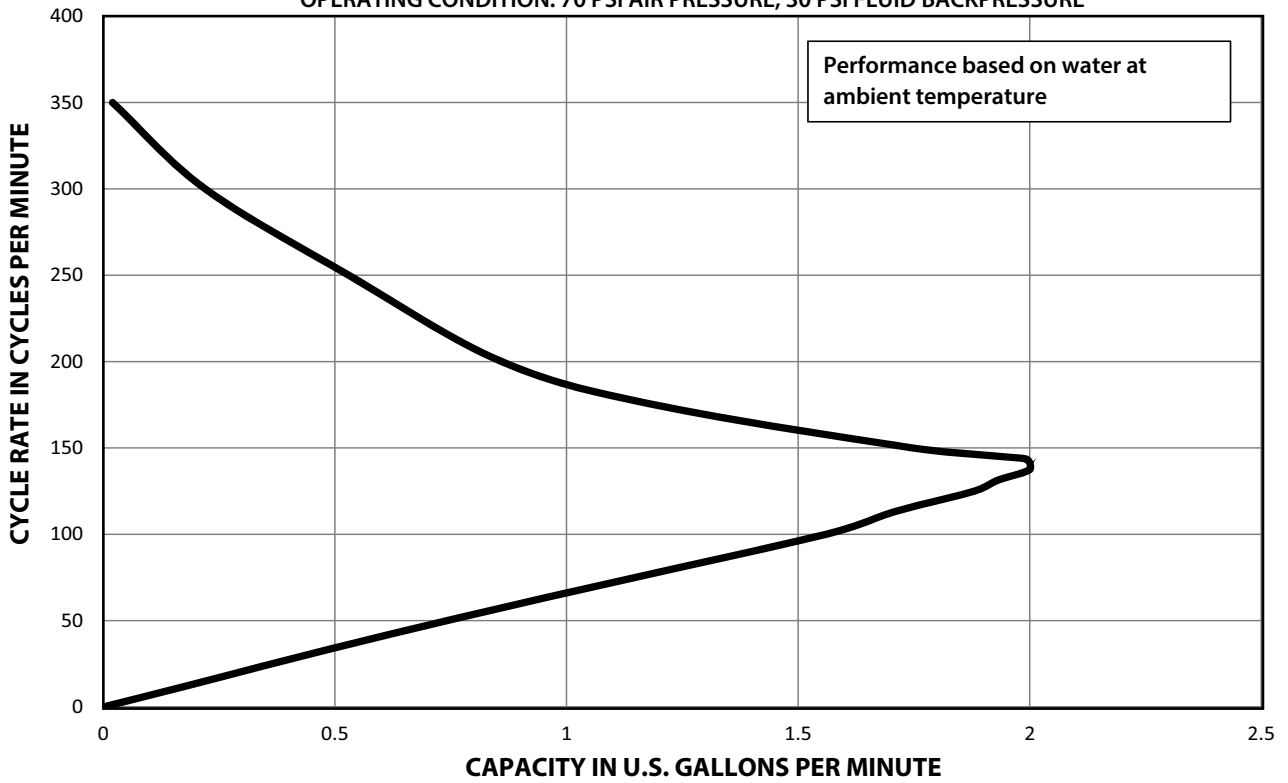
**PD01P-XXS-XXX 1/4" NON-METALLIC DIAPHRAGM PUMP**



# PERFORMANCE CURVES

## PE01X-XXX-XXX SOLENOID-CONTROLLED TIME-BASED FLOW RATE

OPERATING CONDITION: 70 PSI AIR PRESSURE, 30 PSI FLUID BACKPRESSURE



OPERATING CONDITION: 4.8 BAR AIR PRESSURE, 2.1 BAR FLUID BACKPRESSURE

