

OPERATOR'S MANUAL

650715-C

INCLUDE OPERATOR'S MANUAL: 66610X-X-C 1" DIAPHRAGM PUMP (PN 97999-100)

RELEASED: 3-7-90
 REVISED: 1-27-23
 (REV: G)

1" DIAPHRAGM PUMP FOR 50 / 50 ANTI-FREEZE MIXING (METALLIC) DUAL INLET MANIFOLD / SINGLE OUTLET MANIFOLD



**READ THIS MANUAL CAREFULLY BEFORE INSTALLING,
 OPERATING OR SERVICING THIS EQUIPMENT.**

It is the responsibility of the employer to place this information in the hands of the operator. Keep for future reference.

SERVICE KITS

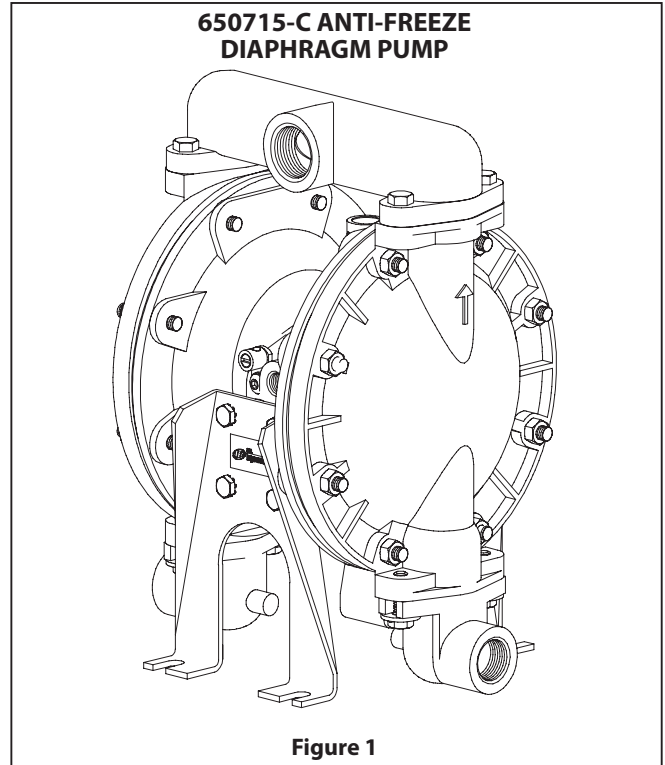
637119-62-C (Fluid Section)
 637118-C (Air Section)
650715-C is similar to model 666100-362-C.

GENERAL DESCRIPTION

Model 650715-C diaphragm pump is designed for mixing anti-freeze and water in 50 / 50 proportion for automotive coolant systems. The pump is similar to other standard models in the 1" metallic diaphragm pump family. A 66610X-X-C Operator's Manual should be used for General Information, Installation, Operation and Maintenance. This model is modified to include dual inlets.

This pump would be typically used in conjunction with two (2) 3/4 - 14 NPT x 1 - 11-1/2 NPT non-collapsing siphon hoses for supply, one is for water and one is for anti-freeze. A 1 - 11-1/2 NPT delivery hose with a control handle will deliver a 50 / 50 mix of water and anti-freeze when the trigger is activated.

This pump includes an Aluminum center body, Aluminum outlet manifold, Stainless steel inlets, Nitrile diaphragms and Acetal balls. Refer to the chart below for part substitutions.



Item	Description (size)	Model 666100-362-C	Qty	Model 650715-C	Qty
6	Washer (3-5/8" OD)	93441-2	(2)	93441-1	(2)
14	Screw (1/2" - 20 x 1")	Y5-85-T	(2)	Y5-85-T **	(2)
16	Outlet Manifold	92001	(2)	92001	(1)
18	90° Inlet Manifold	-----	---	92847	(2)
24	Washer (5/16")	-----	---	Y13-5-C	(4)

** Tighten to 25 - 30 ft lbs (33.9 - 40.7 Nm).

TYPICAL 650715-C INSTALLATION

Components shown are not included and are for reference only.

Item	Description (size)	Qty	Part No.
A	Filter - Regulator - Piggyback	(1)	P292XX-XXX
B	Wall Mount	(1)	66100
C	Suction Tube	(1)	66779
D	Inlet Hose (3/4 - 14 NPT x 1 - 11-1/2 NPT)	(2)	628066-006
E	Outlet Hose (1 - 11-1/2 NPT)	(1)	628067-003

650715-C DIAPHRAGM PUMP

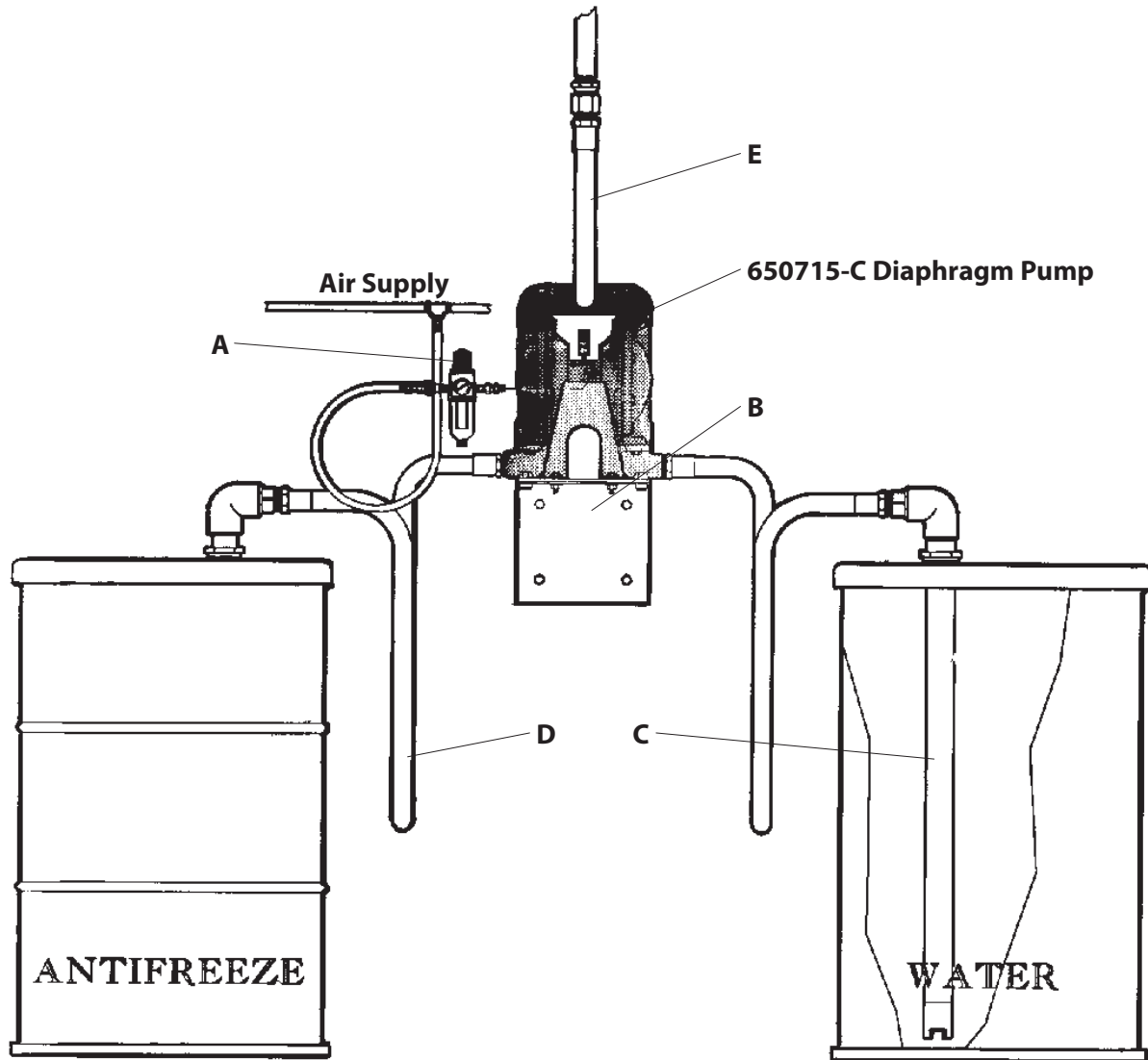


Figure 2