

SALES & ENGINEERING DATA

RATIO SERIES: **9:1**

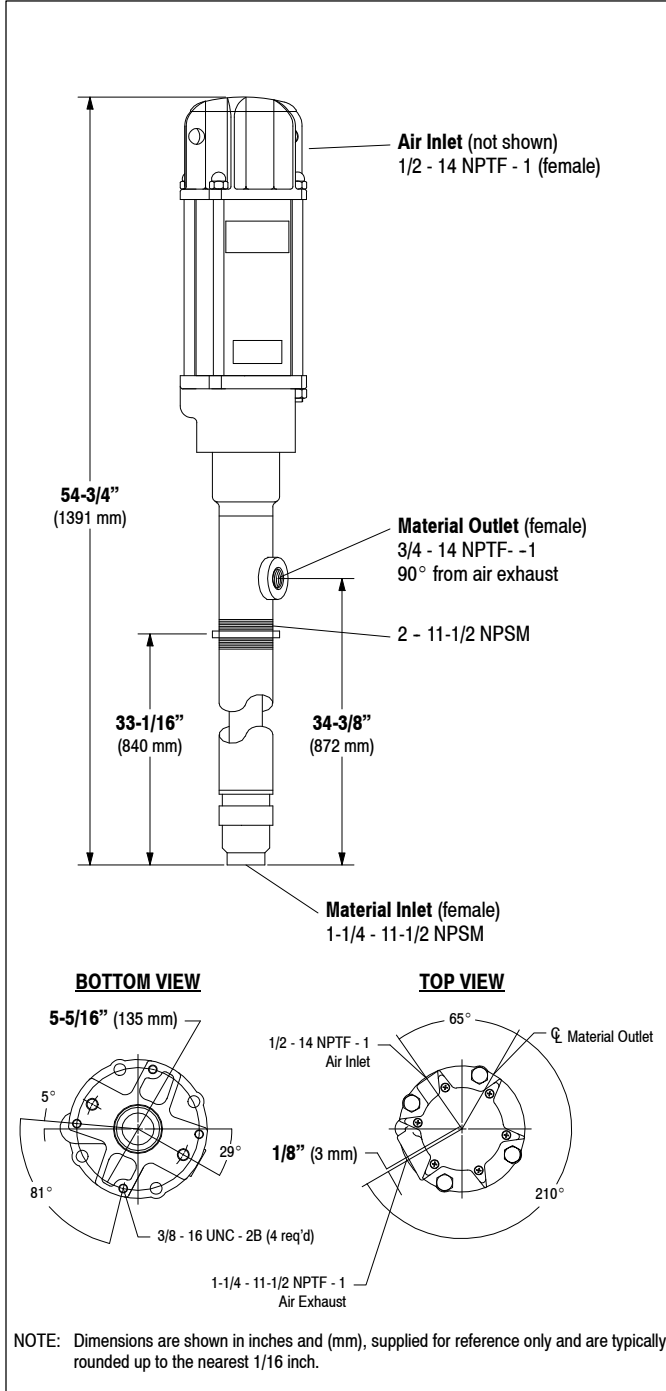
FLUID PSIG RANGE: **0 - 1350**

650409-X

TWO - BALL PUMP

RELEASED: 11-6-98
 REVISED: 10-16-15
 (REV. E) S-965

DIMENSIONAL DATA



SPECIFICATIONS

CONSTRUCTION

| | |
|--------------------------------------|--|
| Model Series (refer to option chart) | 650409-X |
| Pump Type | Air Operated, Two - Ball, Double Acting Pump |
| Ratio | 9:1 |
| Air Motor | 65444-B |
| Motor Repair Kit | 61268 |
| Motor Diameter | 4-1/4" (107.9 mm) |
| Stroke | 4" (101.6 mm) |
| Air Inlet (female) | 1/2 - 14 NPTF - 1 |
| Air Exhaust (female) | 1-1/4 - 11-1/2 NPTF - 1 |
| Lower Pump End Series | 65106-X |
| Lower Pump Repair Kit | |
| model 650409 | 637010 |
| model 650409-4 | 637010-4 |

Packing Options:

| | |
|----------|---------------------------|
| 650409 | PTFE (upper and lower) |
| 650409-4 | UHMW-PE (upper and lower) |

| | |
|--------------------------|---------------------|
| Material Inlet (female) | 1-1/4 - 11-1/2 NPSM |
| Material Outlet (female) | 3/4 - 14 NPTF - 1 |

MATERIALS OF CONSTRUCTION

| | |
|-------------|---------------------|
| Outlet Body | 316 Stainless Steel |
| Cylinder | 316 Stainless Steel |
| Plunger | 316 Stainless Steel |
| Upper Ball | 316 Stainless Steel |
| Upper Seat | 316 Stainless Steel |
| Lower Ball | 316 Stainless Steel |
| Lower Seat | 316 Stainless Steel |
| Inlet Body | 316 Stainless Steel |
| Weight | 45 lbs (20.4 kgs) |

PERFORMANCE

| | |
|--|------------------------------|
| Air Inlet Pressure Range | 0 - 150 psig (0 - 10.3 bar) |
| Fluid Pressure Range | 0 - 1350 psig (0 - 93.1 bar) |
| Maximum Rec'd Cycles / Minute | 60 |
| Displacement In ³ Per Cycle | 11.0 |
| Volume / Cycle | 6.1 oz. (180.2 ml) |
| Cycles Per Gallon | 21 |
| Flow @ 60 Cycles / Minute | 2.9 gpm (10.8 lpm) |
| Noise Level @ 60 psig - 40 cpm | 80.0 dB(A)① |

① Tested with 91790 muffler installed. The pump sound pressure level has been updated to an Equivalent Continuous Sound Level (L_{Aeq}) to meet the intent of ANSI S1.13-1971, CAGI-PNEUROP S5.1 using four microphone locations.

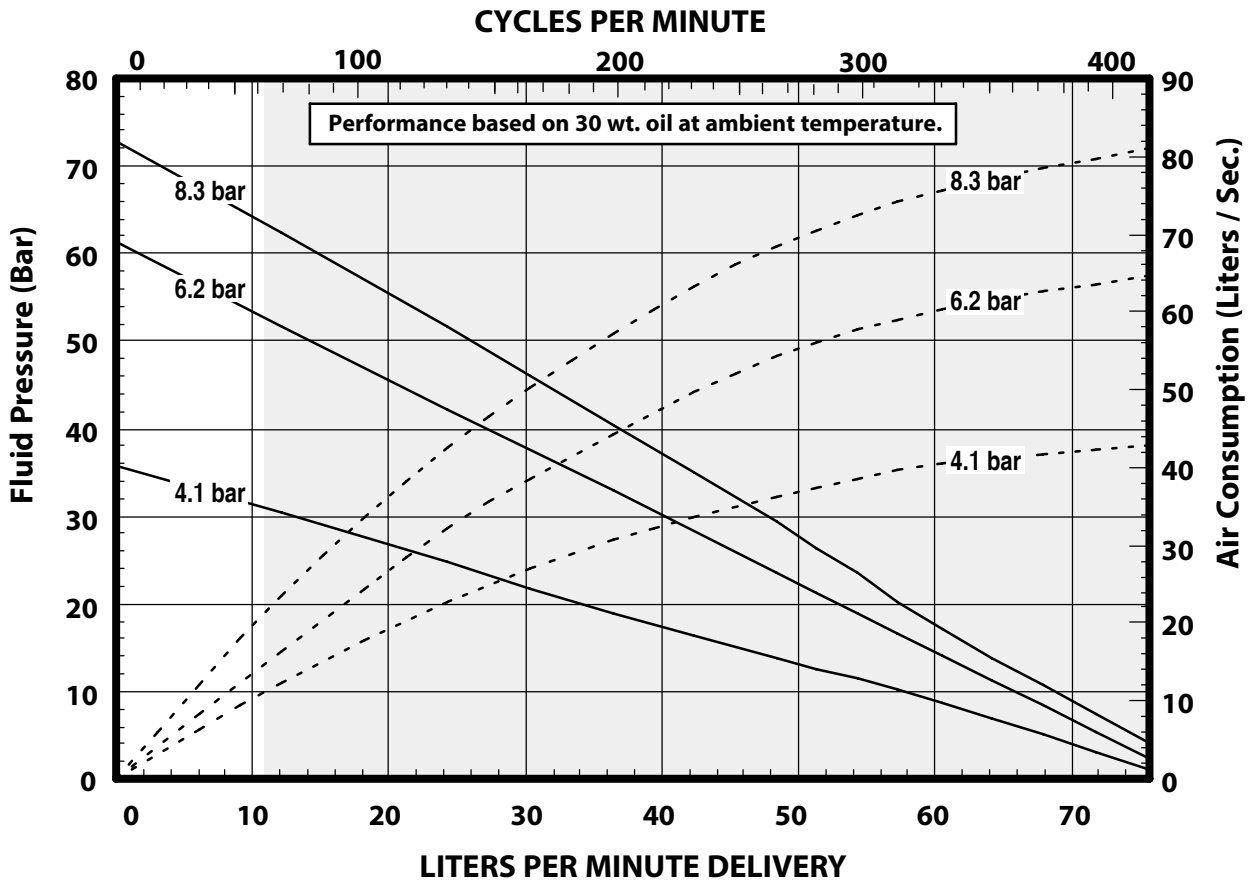
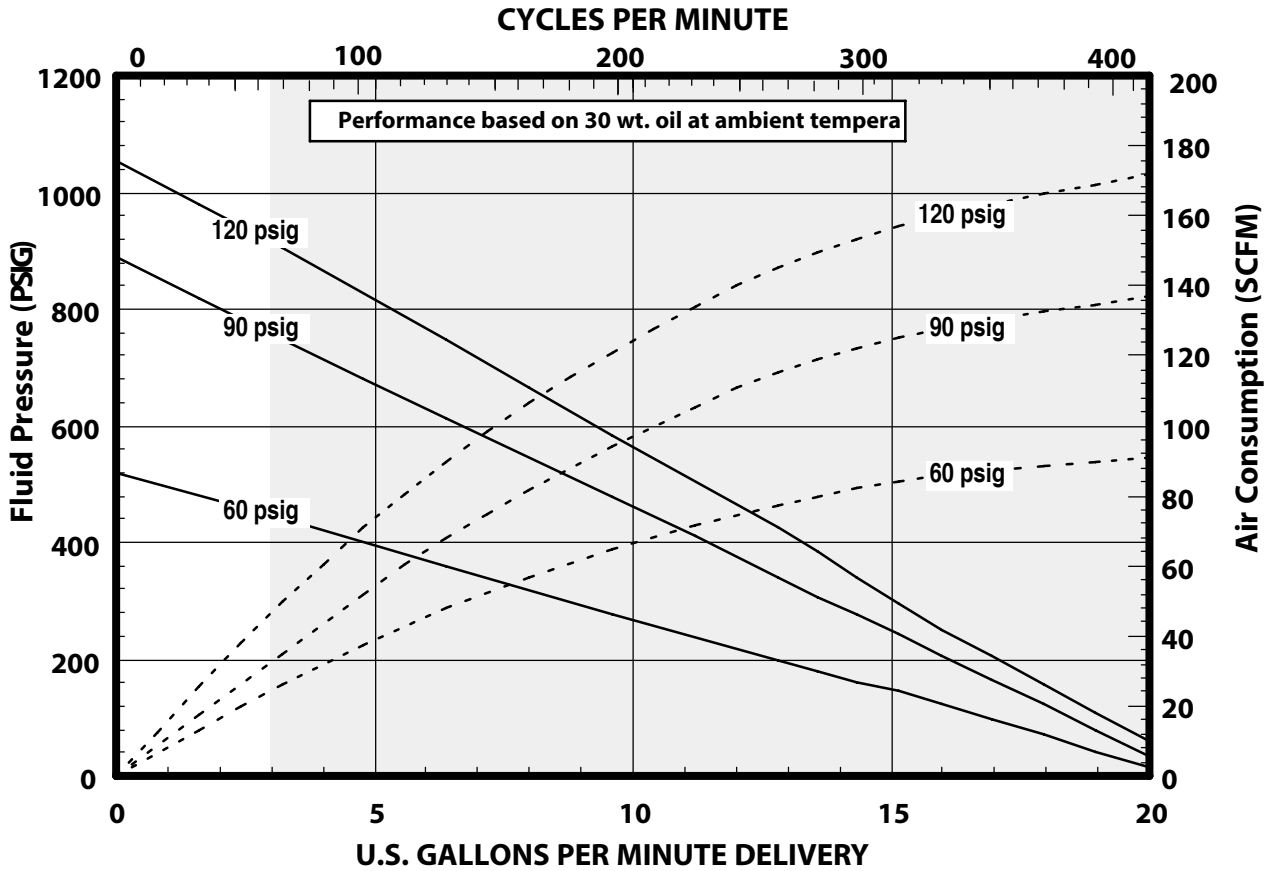
ACCESSORIES:

- 66100 Wall Mount Bracket
- 91790 Silencer

INGERSOLL RAND COMPANY LTD
 209 NORTH MAIN STREET - BRYAN, OHIO 43506

① (800) 495-0276 • FAX(800) 892-6276 © 2015 CCN 15248586
 arozone.com





NOTE: NON SHADED AREA OF THE GRAPH REPRESENTS RECOMMENDED OPERATING RANGE