



**15301856**  
Edition 1  
March 2009

# Regulator Assembly

**1500 Series**

---

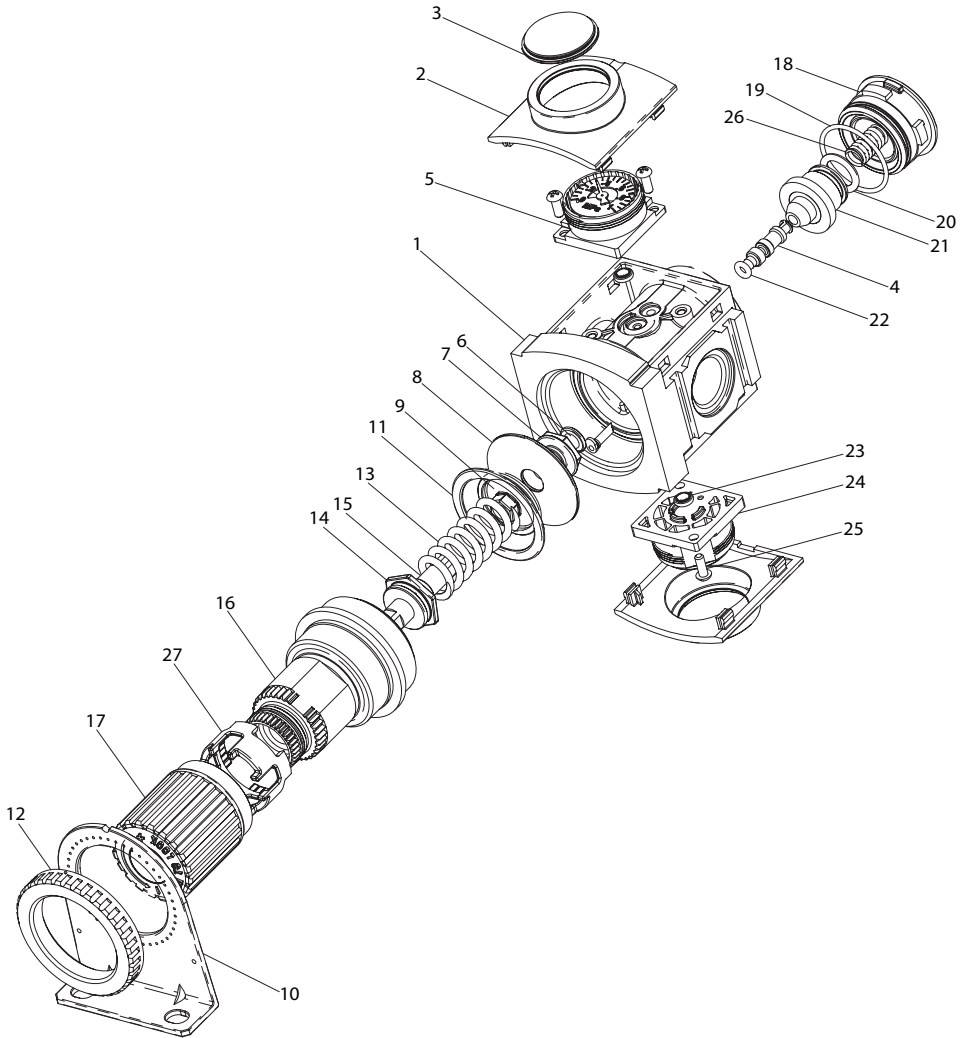
## Parts Information



Save These Instructions

**IR** *Ingersoll Rand*

**Regulator Assembly 1500 Series R372X1-XXX Exploded Diagram**



(Dwg. 15321920)

## Regulator Assembly 1500 Series R372X1-XXX Parts List

Item	Part Description	Material	Part Number
1	Regulator Body	Aluminum	---
	1/4" NPT (R37221-XXX)		---
	3/8" NPT (R37231-XXX)		---
	1/4" BSP (R372B1-XXX)		---
	3/8" BSP (R372C1-XXX)		---
2	Cover (R)	Nylon	---
3	Gauge Cover	Polycarbonate	---
4	Stem	Nylon	---
5	Gauge		
	0-140 psi (R372X1-6XX)	---	104310
6	Relief Sheet Valve	Nitrile	---
7	Relief Valve	Nylon	---
8	Diaphragm	Nitrile+Nylon	---
9	Diaphragm Shell	Nylon	---
10	L-Bracket	Steel	104404
11	Diaphragm Ring	Acetal	---
12	Panel Mount Nut	Nylon	104417
13	Adjusting Spring	Steel	
	0-30 psi (R372X1-4XX)		104433
	0-60 psi (R372X1-2XX)		104434
	0-140 psi (R372X1-1XX, R372X1-6XX)		104435
14	Adjusting Nut		---
15	Adjusting Bolt		---
16	Bonnet	Nylon	---
17	Handle	Acetal	---
18	Valve Guide	Nylon	---
19	Valve Guide "O" Ring	Nitrile	---
20	Valve "O" Ring		---
21	Valve	Nitrile+Nylon	---
22	Stem "O" Ring	Nitrile	---
23	Gauge "O" Ring		---
24	Block Cover	Nylon	---
25	Bolt	Steel	---
26	Valve Spring	Stainless Steel	---
27	Tamper Kit	Nylon	104432
	Service Kit (R372X1-X0X) (Relieving; Includes Items 4, 6, 7, 8, 9, 11, 18, 19, 20, 21, 22, 26)	---	104430
	Service Kit (R372X1-X2X) (Non-Relieving; Includes Items 4, 6, 7, 8, 9, 11, 18, 19, 20, 21, 22, 26)	---	104431

### Parts and Maintenance

When the life of the tool has expired, it is recommended that the tool be disassembled, degreased and parts be separated by material so that they can be recycled.

Tool repair and maintenance should only be carried out by an authorized Service Center.

Refer all communications to the nearest **Ingersoll Rand** Office or Distributor.

### Related Documentation

For additional information refer to:

Product Safety Information Manual 15301765.

Product Information Manual 15301773.

Product Information Manual 15301781.

Manuals can be downloaded from [fluids.ingersollrand.com](http://fluids.ingersollrand.com).

Part No: 100400-62

**fluids.ingersollrand.com**

© 2009 **Ingersoll Rand** Company

