

SALES & ENGINEERING DATA



NM2322(-)(-)(-) CHOP CHECK PUMP

RATIO SERIES: **22:1**

FLUID PSIG RANGE: **0 - 3300**

RELEASED: 10-17-97
REVISED: 2-1-24
(REV: H) S-922

DIMENSIONAL DATA

MODEL NM2322X-X1-P4X

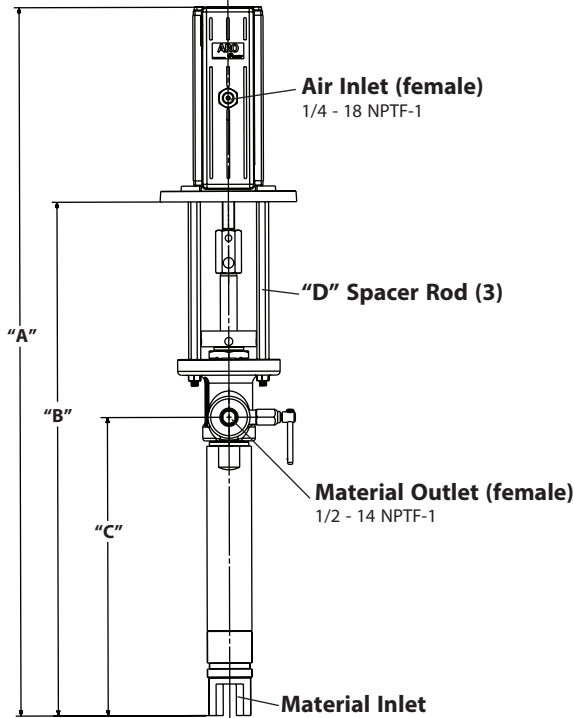


Figure 1

NOTE: Dimensions are shown in inches and (mm) and are supplied for reference only.

MODEL	"A" (mm)	"B" (mm)	"C" (mm)	"D" (mm)
NM2322X-11-P4X	33.70" (856.0)	24.44" (620.8)	14.19" (360.4)	93962
NM2322X-71-P4X	42.62" (1082.5)	33.34" (846.8)	14.19" (360.4)	93962-2

SPECIFICATIONS

Model Series (refer to option chart)	NM2322X-X1-P4X
Pump Type	Air Operated, Chop Check
Ratio	22:1
Air Motor	66915
Motor Repair Kit	637316
Motor Diameter	3" (7.62 cm)
Stroke (double acting)	3" (7.62 cm)
Air Inlet (female)	1/4 - 18 NPTF - 1
Lower Pump End Series	
NM2322E-11-P43	67100-P43
NM2322E-11-P48	67100-P48
NM2322E-71-P43	67100-P43
NM2322E-71-P48	67100-P48
NM2322F-11-P43	67101-P43
NM2322F-11-P48	67101-P48
NM2322F-71-P43	67101-P43
NM2322F-71-P48	67101-P48

Lower Pump Repair Kit	63729X-P4X
Material Outlet (female)	1/2 - 14 NPTF - 1
Weight	
NM2322X-11-P4X	29 lbs (13.2 kgs)
NM2322X-71-P4X	33 lbs (15.0 kgs)

MATERIALS OF CONSTRUCTION

Outlet Body	
NM2322E-X1-P4X	Ductile Iron
NM2322F-X1-P4X	316 Stainless Steel
Cylinder	
NM2322E-X1-P4X	Carbon Steel
NM2322F-X1-P4X	15-5 Stainless Steel
Plunger	
	17-4 Stainless Steel
Upper Packing	
	UHMW-PE / Glass Filled PTFE staggered
Middle Packing	
	UHMW-PE
Lower Packing	
	Glass Filled PTFE
Inlet Body	
NM2322E-X1-P4X	Carbon Steel
NM2322F-X1-P4X	316 Stainless Steel

PUMP PERFORMANCE

Air Inlet Pressure Range	30 - 150 psig (2.1- 10.3 bar)
Fluid Pressure Range ^①	660 - 3300 psig (45.5 - 227.6 bar)
Maximum Rec'd Cycles / Minute	120
Displacement Per Cycle	1.90 in ³ (31.1 cc)
Cycles Per Gallon	121.6
Flow @ 60 Cycles / Minute	0.5 gpm (1.9 lpm)
Noise Level @ 100 psig	85.0 db(A) ^①
Accessories Available	61113 Wall Mount Bracket 66073-1 Air Line Connection Kit

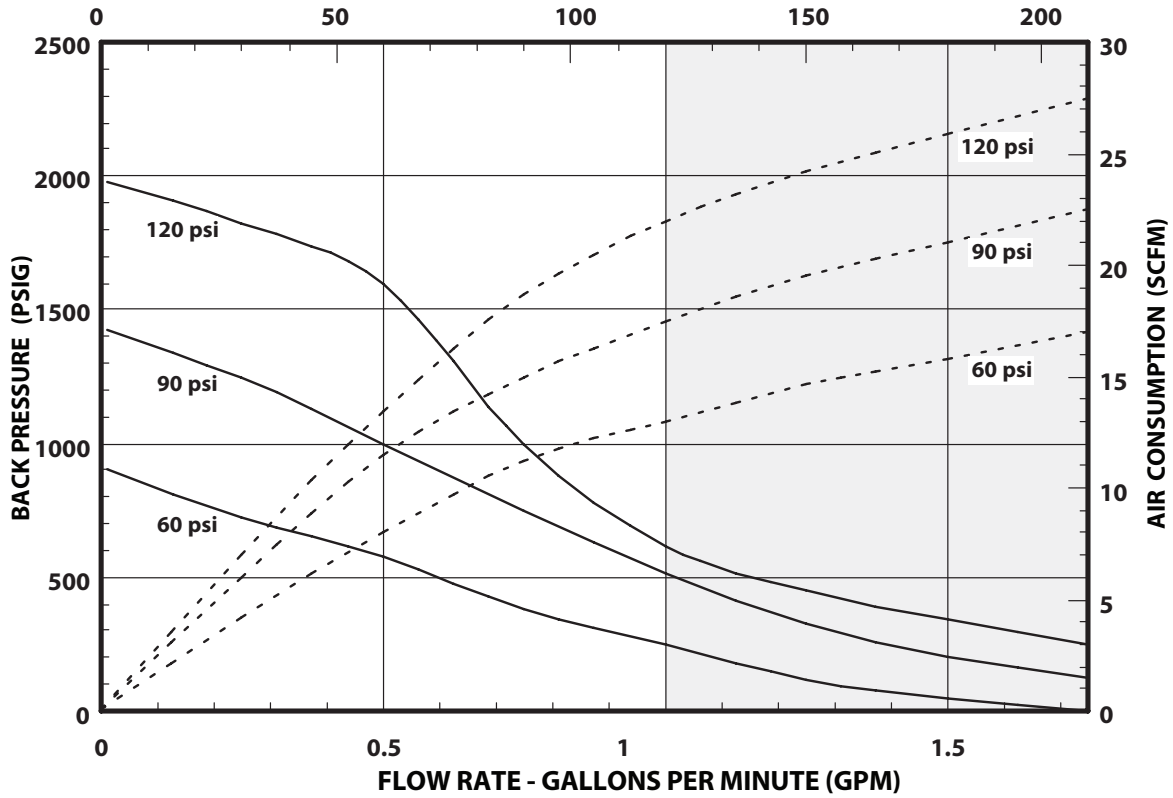
① The pump sound pressure level has been updated to an Equivalent Continuous Sound Level (LA_{eq}) to meet the intent of ANSI S1.13-1971, CAGI-PNEUROP S5.1 using four microphone locations.

② The fluid pressure range is determined using the calculated pump ratio based on effective areas of the air motor and lower end. For verified pump performance, please refer to the performance curves.

PERFORMANCE CURVES

PERFORMANCE BASED ON 30wt. OIL (100cSt) AT 40°C TEMPERATURE

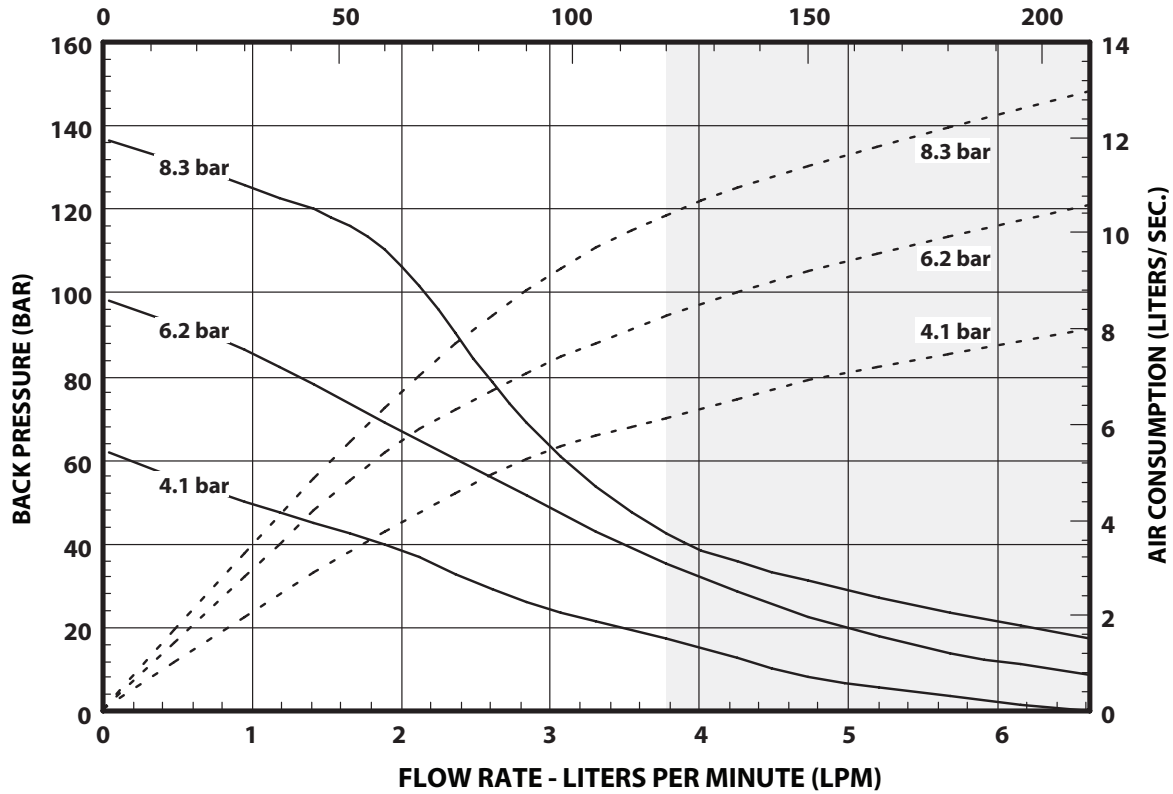
CYCLE PER MINUTE (CPM)



NOTE: NON SHADED AREA OF THE GRAPH REPRESENTS RECOMMENDED OPERATING RANGE

PERFORMANCE BASED ON 30wt. OIL (100cSt) AT 40°C TEMPERATURE

CYCLE PER MINUTE (CPM)



NOTE: NON SHADED AREA OF THE GRAPH REPRESENTS RECOMMENDED OPERATING RANGE