



15301898
Edition 1
March 2009

Filter Assembly

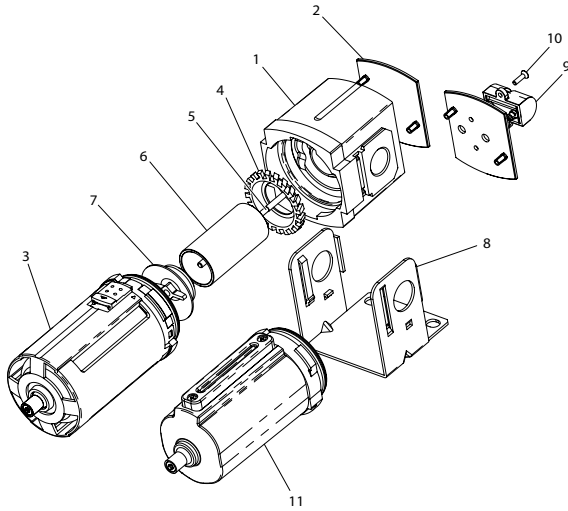
2000 Series

Parts Information



Save These Instructions

Filter Assembly 2000 Series F353XX-XXX Exploded Diagram

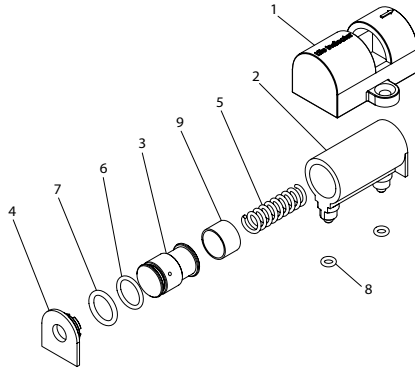


(Dwg. 15318652)

Filter Assembly 2000 Series F353XX-XXX Parts List

Item	Part Description	Material	Part Number
1	Filter Body	Aluminum	---
	3/8" BSP (F353CX-XXX)		---
	1/2" BSP (F353DX-XXX)		---
	3/4" BSP (F353EX-XXX)		---
	3/8" NPT (F3533X-XXX)		---
	1/2" NPT (F3534X-XXX)		---
3/4" NPT (F3535X-XXX)	---		
2	Upper Cover (F)	Nylon	---
	Normal (F353X1-XXX)		---
	Life Indicator (F353X2-XXX)		---
3	Poly Bowl (See Page 3)	---	---
	(F353XX-X0X)		
4	Deflector	Acetal	---
5	Baffle Shaft	Brass	---
6	Filter Element	Polyethylene	---
	0.3 Micron (F353XX-3XX)		104319
	5 Micron (F353XX-4XX)		104317
	40 Micron (N/A)		104318
7	Baffle	Acetal	---
8	C-Bracket	Steel	104409
9	Life Indicator (See Page 3)	---	---
	(F353X2-XXX)		
10	Bolt	Steel	---
	(F353X2-XXX)		
11	Metal Bowl (See Page 4)	---	---
	(F353XX-X1X, F353XX-X2X)		
	Filter Service Kit (Includes Bowl O-Ring and Manual Drain)	---	104326
	(F353XX-XXX)		

Life Indicator Assembly 2000 Series Exploded Diagram

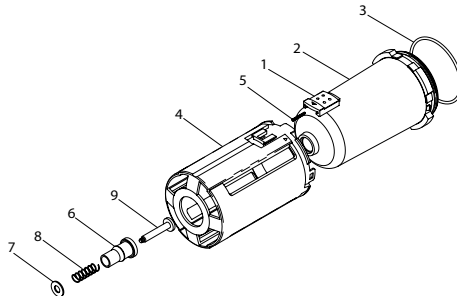


(Dwg. 15318728)

Life Indicator Assembly 2000 Series Parts List

Item	Part Description	Material	Part Number	Item	Part Description	Material	Part Number
1	Life Indicator Cover	Nylon	---	6	Piston O-Ring	Nitrile	---
2	Piston Cover		---	7	Piston Side Cover O-Ring		---
3	Piston		---	8	Connection O-Ring		---
4	Piston Side Cover		---	9	Sticker	Vinyl	---
5	Spring	Stainless Steel	---				

Poly Bowl Assembly 2000 Series Exploded Diagram

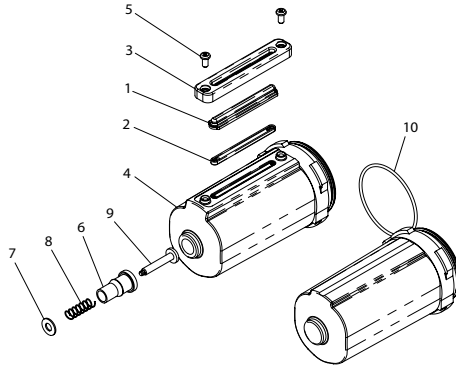


(Dwg. 15318702)

Poly Bowl Assembly 2000 Series Parts List

Item	Part Description	Material	Part Number	Item	Part Description	Material	Part Number
1	Lock Button (F353XX-X0X)	Nylon	---	5	Lock Button Spring (F353XX-X0X)	Stainless Steel	---
2	Poly Bowl (Includes Items 1, 3, 4 & 5 and Drain)	Polycarbonate	104320	6, 7, 8, 9	Manual Drain	Nitrile	104316
	Manual Drain (F353XX-X00)		104321		Drain Housing (F353XX-XX0)		
	Auto Drain (F353XX-X01)			Retainer (F353XX-XX0)	Stainless Steel		
3	Bowl O-Ring (F353XX-X0X)	Nitrile	---		Drain Spring (F353XX-XX0)	Brass	
4	Bowl Guard (F353XX-X0X)	Nylon	---		Auto Drain (F353XX-XX1)	---	104315

Metal Bowl Assembly 2000 Series Exploded Diagram



(Dwg. 15318710)

Metal Bowl Assembly 2000 Series Parts List

Item	Part Description	Material	Part Number	Item	Part Description	Material	Part Number	
1	Sight Plate	Nylon	---	5	Bolt	Steel	---	
	Manual Drain (F353XX-X10)		---		(F353XX-X1X)		---	
2	Sight Plate Gasket	Nitrile	---	6, 7	Manual Drain	Stainless Steel	104316	
	Manual Drain (F353XX-X10)		---		Drain Housing (F353XX-XX0)			Nitrile
3	Sight Cover	Aluminum	---	8, 9	Retainer (F353XX-XX0)	Stainless Steel	104316	
	Manual Drain (F353XX-X10)		---		Drain Spring (F353XX-XX0)			Brass
4	Sight Glass also Includes Items 1, 2, 3 & 5	Aluminum	---	10	Bowl O-Ring	Nitrile	---	
	Manual Drain (F353XX-X10)		---		(F353XX-X1X, F353XX-X2X)			---
4	Metal Bowl (Includes Item 10 and Drain)	Aluminum	---	10	Auto Drain	---	104315	
	Auto Drain (F353XX-X11)		---		(F353XX-XX1)			---
	Manual Drain with Sight (F353XX-X10)		104325					
	Manual Drain No Sight (F353XX-X20)		104322					
	Auto Drain with Sight (F353XX-X11)	104324						
	Auto Drain No Sight (F353XX-X21)	104323						

Parts and Maintenance

When the life of the tool has expired, it is recommended that the tool be disassembled, degreased and parts be separated by material so that they can be recycled.

Tool repair and maintenance should only be carried out by an authorized Service Center.

Refer all communications to the nearest **Ingersoll Rand** Office or Distributor.

Related Documentation

For additional information refer to:

Safety Information Manual 15301765.

Product Information Manual 15301773.

Maintenance Information Manual 15301781.

Manuals can be downloaded from fluids.ingersollrand.com

Part No: 100400-66

fluids.ingersollrand.com

© 2009 **Ingersoll Rand** Company

IR **Ingersoll Rand**