

SALES AND ENGINEERING DATA

RATIO SERIES: **1:1**

FLUID PSIG RANGE: **10 - 120**

66625X-XXX-C and 66627X-XXX-C 2" METALLIC DIAPHRAGM PUMP

RELEASED: 3-21-06
REVISED: 3-10-23
(REV: J) S-1362

SPECIFICATIONS

Model Series	6662XX-XXX-C
Pump Type	Metallic, Air Operated, Double Diaphragm
Ratio	1:1
Material Inlet / Outlet (female)	
66625X-XXX-C	2 - 11-1/2 NPTF - 2
66627X-XXX-C	Rp 2 (2 - 11 BSP parallel)
6662GE-XXX-C	2" Hybrid ANSI / DIN / JIS RF Flange
Air Inlet (female)	3/4 - 14 NPTF - 2
Air Exhaust (female)	1-1/4 - 11-1/2 NPTF - 2
Weight	
6662X0-XXX-C	65.15 lbs (29.55 kgs)
6662X1-XXX-C	125.44 lbs (56.9 kgs)
6662X2-XXX-C	124.30 lbs (56.38 kgs)
6662XA-XXX-C	65.15 lbs (29.55 kgs)
6662XB-XXX-C	125.44 lbs (56.9 kgs)
6662XC-XXX-C	124.30 lbs (56.38 kgs)
6662GE-XXX-C	147.15 lbs (66.75 kgs)
Air Section Service Kit	637434
Fluid Section Service Kit	637432-XX
Composite PTFE Diaphragm Kit ..	48497374

PERFORMANCE

Air Inlet Pressure Range	10 - 120 psig (0.69 - 8.3 bar)
Maximum Material Inlet Pressure	10 psig (0.69 bar)
Fluid Pressure Range	10 - 120 psig (0.69 - 8.3 bar)
Maximum Flow Rate (flooded inlet) ..	172 gpm (651.0 lpm)
Displacement / Cycle @ 100 psig	
Standard Diaphragm	1.35 gal. (5.12 lit.)
Composite PTFE Diaphragm ..	0.86 gallon (3.3 litres)
Maximum Particle Size	1/4" dia. (6.4 mm)
Maximum Temperature Limits (diaphragm / ball / seat material)	
E.P.R / EPDM	-60° to 280° F (-51° to 138° C)
Hytre [®]	-20° to 180° F (-29° to 82° C)
PDVF	10° to 200° F (-12° to 93° C)
Nitrile	10° to 180° F (-12° to 82° C)
Santoprene [®]	-40° to 225° F (-40° to 107° C)
PTFE	40° to 225° F (4° to 107° C)
Composite PTFE	14° to 194° F (-10° to 90° C)
Viton [®]	-40° to 350° F (-40° to 177° C)
Noise Level @ 70 psig - 60 cpm^① ..	85.3 dB(A) ^②

6662XX - XXX - C
637432 - XX - C

Ball Material | Diaphragm Material

Example: Model 666250-1EB-C
Fluid Section Service Kit is 637432-EB

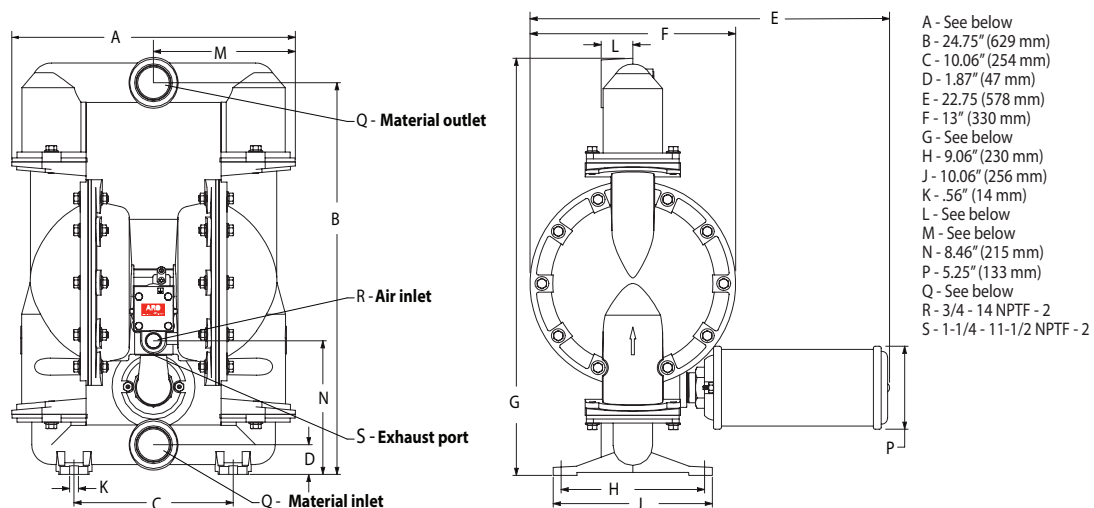
① Tested with 94810 muffler assembly installed.

② The pump sound pressure level has been updated to an Equivalent Continuous Sound Level (LA_{eq}) to meet the intent of ANSI S1. 13-1971, CAGI-PNEUROP S5.1 using four microphone locations.

ACCESSORIES: 66312 Air Line Connection Kit

DIMENSIONAL DATA

6662XX-XXX-C



Model	"A"	"G"	"L"	"M"	Model	"Q"
6662X0-XXX-C	17.93" (455.1 mm)	26.37" (669 mm)	2" (50.8 mm)	8.87" (227.6 mm)	666250-XXX-C	2 - 11-1/2 NPTF - 2
6662X1-XXX-C	17.90" (454.6 mm)	26.25" (666.75 mm)	1.87" (47.6 mm)	8.93" (227.3 mm)	666270-XXX-C	Rp 2 (2 - 11 BSP, parallel)
6662X2-XXX-C	17.93" (455.1 mm)	26.37" (669 mm)	2" (50.8 mm)	8.87" (227.6 mm)		
6662XA-XXX-C	17.93" (455.1 mm)	26.37" (669 mm)	2" (50.8 mm)	8.87" (227.6 mm)		
6662XB-XXX-C	17.90" (454.6 mm)	26.25" (666.75 mm)	1.87" (47.6 mm)	8.93" (227.3 mm)		
6662XC-XXX-C	17.93" (455.1 mm)	26.37" (669 mm)	2" (50.8 mm)	8.87" (227.6 mm)		

INGERSOLL RAND COMPANY INC

209 NORTH MAIN STREET - BRYAN, OHIO 43506

① (800) 495-0276 • FAX (800) 892-6276

© 2023

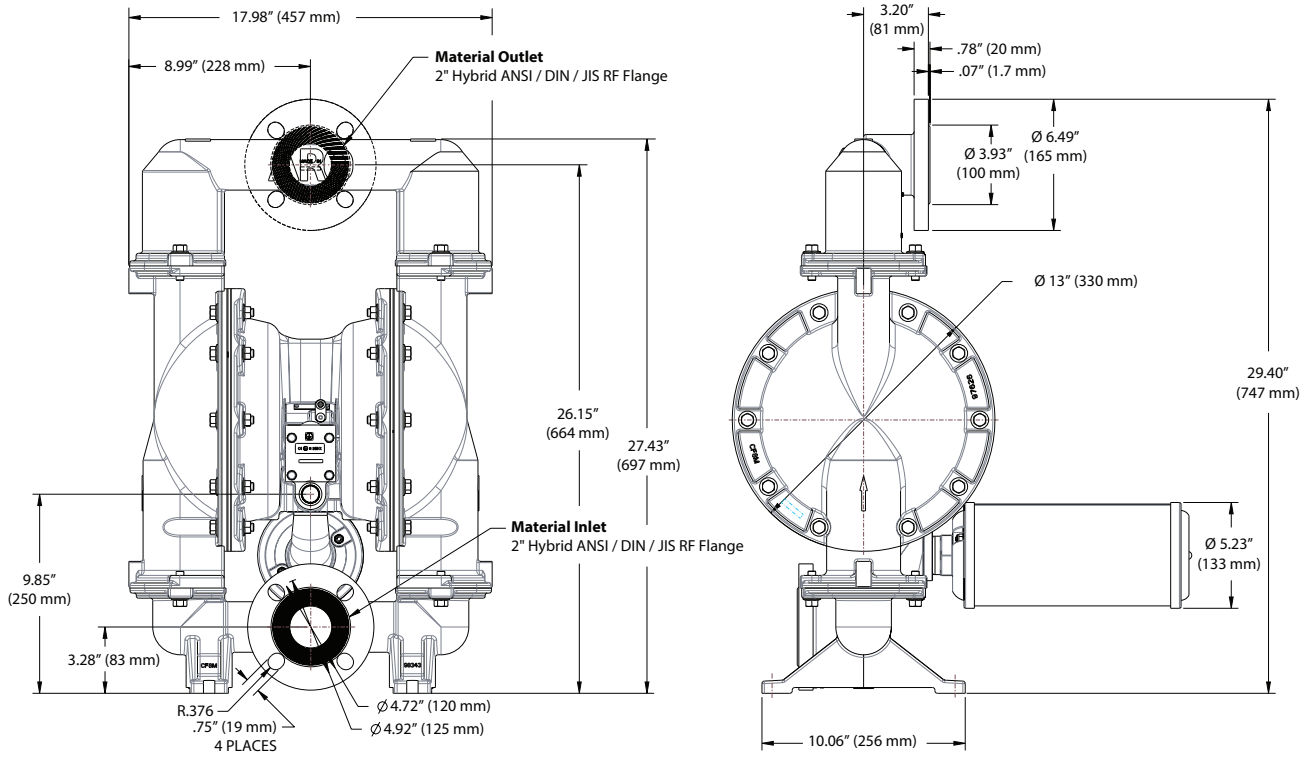
CCN 15242704

arozone.com



DIMENSIONAL DATA

6662GE



Dimensions shown are for reference only, they are displayed in inches and millimeters (mm).

PERFORMANCE CURVES

66625X-XXX-C / 66627X-XXX-C 2" METALLIC DIAPHRAGM PUMP

