

# SALES & ENGINEERING DATA

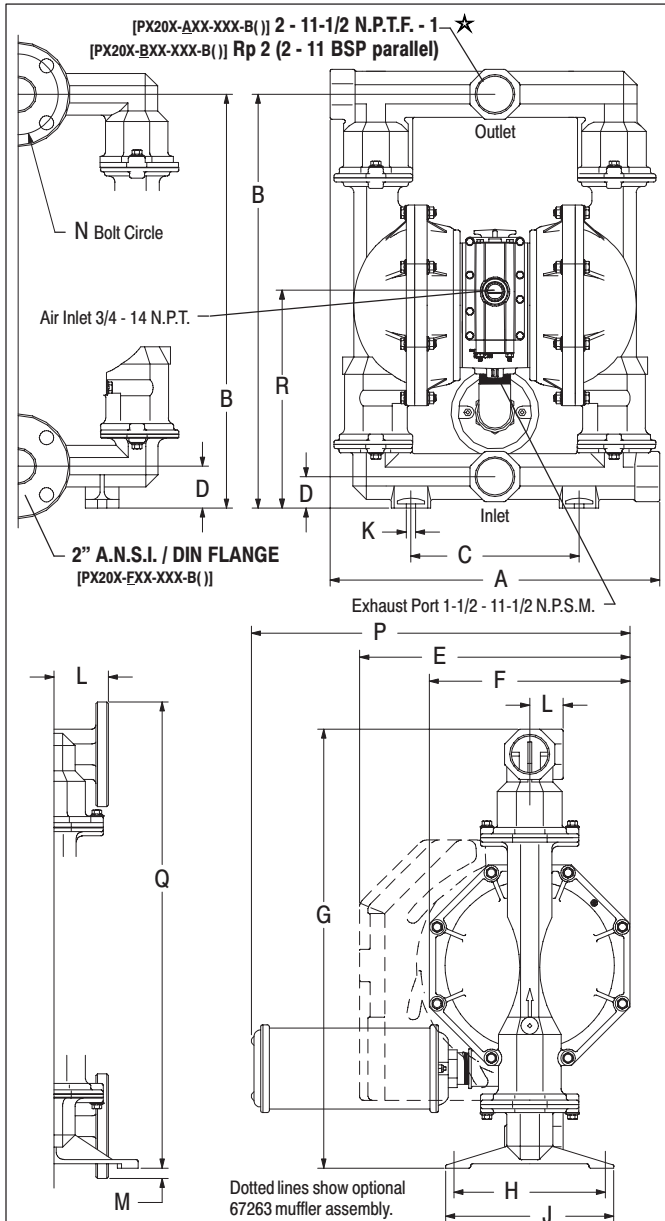
## PD20R-XXX-XXX-B / PD20Y-XXX-XXX-B PE20R-XXX-XXX-B( ) / PE20Y-XXX-XXX-B( ) 2" METALLIC DIAPHRAGM PUMP

RATIO SERIES: **1:1**

FLUID P.S.I. RANGE: **20 - 120**

RELEASED: 12-9-04  
REVISED: 9-15-11  
(REV. 05) S-1339

### DIMENSIONAL DATA



Dotted lines show optional 67263 muffler assembly.

#### DIMENSIONS

|                       |                       |                       |
|-----------------------|-----------------------|-----------------------|
| A see below           | G 26-1/4" (666.8 mm)  | M 5/8" (15.9 mm)      |
| B 24-3/4" (628.7 mm)  | H 9-1/16" (230.2 mm)  | N 4.834" (122.8 mm)   |
| C 10-1/16" (255.6 mm) | J 10-1/16" (255.6 mm) | P 21-5/8" (548 mm)    |
| D see below           | K 9/16" (14.3 mm)     | Q 27-7/8" (708.0 mm)  |
| E 16-3/16" (411.2 mm) | L see below           | R 13-9/16" (344.5 mm) |
| F 12" (304.8 mm)      |                       |                       |

★ Side Discharge Ports not available on PX20X-XXS-X-B Models.

|                                    |                  |                   |
|------------------------------------|------------------|-------------------|
| "A"                                | "D"              | "L"               |
| PX20X-XCX 19-3/4" (501.4 mm)       | 1-7/8" (47.6 mm) | 2" (50.8 mm)      |
| PX20X-AHX, -BHX 19-3/8" (492.1 mm) | 2-1/2" (63.5 mm) | 2-3/32" (53.0 mm) |
| PX20X-ASX, -BSX 19-3/8" (492.1 mm) | 2-1/2" (63.5 mm) | 2-3/32" (53.0 mm) |
| PX20X-FHX, -FSX 19-3/8" (492.1 mm) | 2-1/2" (63.5 mm) | 3-1/4" (82.6 mm)  |

NOTE: Dimensions are shown in inches and (mm), supplied for reference only and are typically rounded up to the nearest 1/16 inch.

### SPECIFICATIONS

#### CONSTRUCTION

|                                  |  |
|----------------------------------|--|
| Model Series                     | PD20R-X-X-B / PD20Y-X-X-B                |
|                                  | PE20R-X-X-B( ) / PE20Y-X-X-B( )          |
| Pump Type                        | Metallic, Air Operated, Double Diaphragm |
| Ratio                            | 1:1                                      |
| Material Inlet / Outlet (female) |  |
| PX20X-AXX-XXX-B( )               | 2 - 11-1/2 N.P.T.F. - 1                  |
| PX20X-BXX-XXX-B( )               | Rp 2 (2 - 11 BSP parallel)               |
| PX20X-FXX-XXX-B( )               | 2" A.N.S.I. / DIN Flange                 |
| Air Inlet (female)               | 3/4 - 14 N.P.T.                          |
| Air Exhaust (female)             | 1-1/2 - 11-1/2 N.P.S.M.                  |
| Weight                           |  |
| PX20X-XCX-XXX-B( )               | 165 lbs (74.8 kgs)                       |
| PX20X-AHX-XXX-B( )               | 154 lbs (69.9 kgs)                       |
| PX20X-ASX-XXX-B( )               | 154 lbs (69.9 kgs)                       |
| PX20X-BHX-XXX-B( )               | 154 lbs (69.9 kgs)                       |
| PX20X-BSX-XXX-B( )               | 154 lbs (69.9 kgs)                       |
| PX20X-FHX-XXX-B( )               | 146 lbs (66.2 kgs)                       |
| PX20X-FSX-XXX-B( )               | 146 lbs (66.2 kgs)                       |
| Air Section Service Kit          | 637369                                   |
| Fluid Section Service Kit        | 637309-XX                                |

**PX20X-XXX-X [X] [X] -B( )**  
637309 - [X] [X]  
Diaphragm Material  
Ball Material

EXAMPLE: Model # PD20Y-ACP-SAA-B  
Fluid Section Service Kit is 637309-AA

#### PERFORMANCE

|   |                                 |
|---|---------------------------------|
| Air Inlet Pressure Range                                      | 20 - 120 p.s.i. (1.4 - 8.3 bar) |
| Maximum Material Inlet Pressure                               | 10 p.s.i. (0.69 bar)            |
| Fluid Pressure Range  | 20 - 120 p.s.i. (1.4 - 8.3 bar) |
| Maximum Flow Rate   | 172 g.p.m. (651 l.p.m.)         |
| Displacement / Cycle @ 100 p.s.i.                             | 1.4 gal. (5.3 lit.)             |
| Maximum Particle Size   | 1/4" dia. (6.4 mm)              |
| Maximum Temperature Limits (diaphragm / ball / seal material) |                                 |
| E.P.R. / EPDM   | -60° to 280° F (-51° to 138° C) |
| Hytrek  | -20° to 150° F (-29° to 66° C)  |
| Nitrile   | 10° to 180° F (-12° to 82° C)   |
| Polypropylene   | 35° to 175° F (2° to 79° C)     |
| PVDF (Kynar)  | 10° to 200° F (-12° to 93° C)   |
| Santoprene  | -40° to 225° F (-40° to 107° C) |
| PTFE  | 40° to 225° F (4° to 107° C)    |
| Viton   | -40° to 350° F (-40° to 177° C) |
| Noise Level @ 70 p.s.i. - 60 c.p.m.①                          | 85.0 db(A)②                     |

① Tested with 67263 muffler assembly installed.  
② The pump sound pressure level has been updated to an Equivalent Continuous Sound Level (L<sub>Aeq</sub>) to meet the intent of ANSI S1. 13-1971, CAGI-PNEUROPS S5.1 using four microphone locations.

#### ACCESSORIES:

- 66473 Air Line Connection Kit
- 67263 Continuous Muffler
- 94117 Int. Muffler

# PERFORMANCE CURVES

## PD20X-XXX-XXX-B / PE20X-XXX-XXX-B() 2" METALLIC DIAPHRAGM PUMP

