

SALES AND ENGINEERING DATA

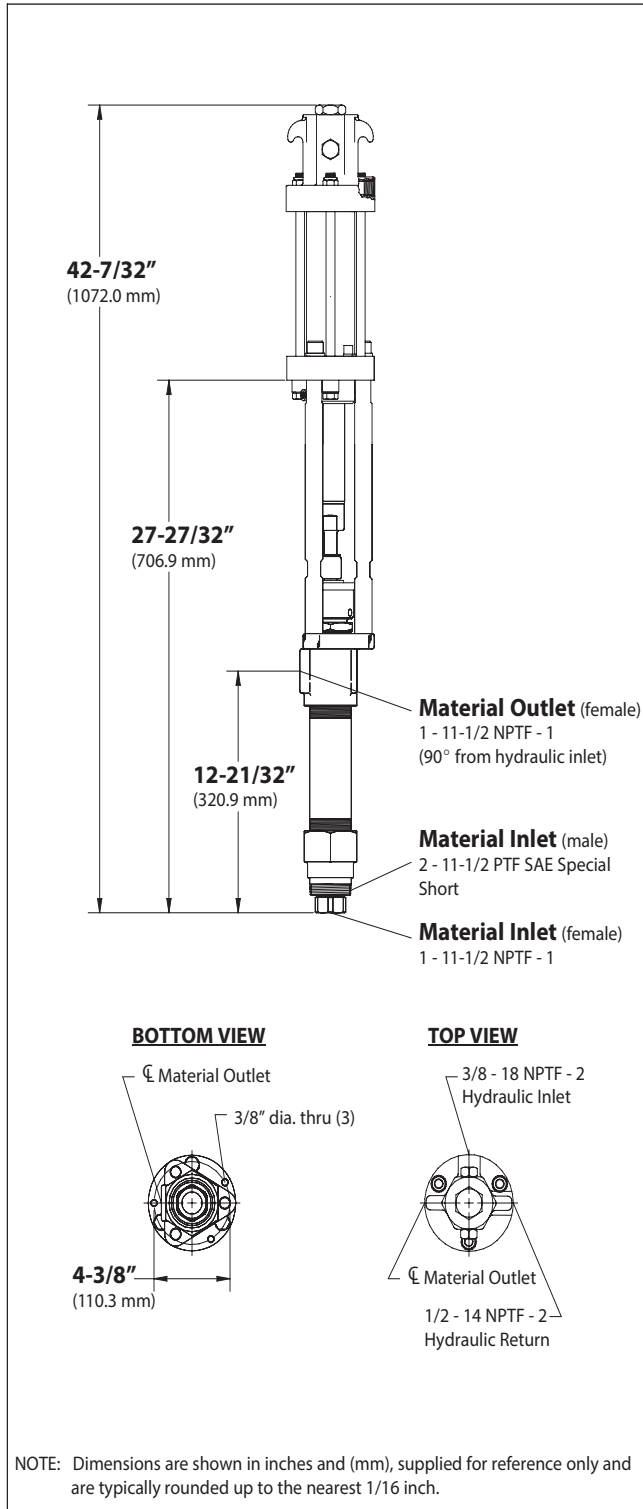
RATIO: **1.7:1**
SERIES:

FLUID PSIG: **85 - 2040**
RANGE:

RELEASED: 9-20-01
REVISED: 8-18-17
(REV: G) S-1249

650943-XXX-B TWO - BALL PUMP

DIMENSIONAL DATA



SPECIFICATIONS

CONSTRUCTION

Model Series (refer to option chart)	650943-XXX-B
Pump Type	Hydraulic Operated, Two - Ball, Double Acting Pump
Ratio	1.7:1
Hydraulic Motor	67147-B
Motor Repair Kit	637449
Motor Size	2.062 sq." (13.3 sq. cm)
Stroke	6" (15.2 cm)
Hydraulic Inlet (female)	3/8 - 18 NPTF - 2
Hydraulic Return (female)	1/2 - 14 NPTF - 2
Lower Pump End Series	66300-XXX
Lower Pump Repair Kit	637305-X43
Packing Options:	

3 - Glass filled PTFE
C - UHMW-PE
G - UHMW-PE / Leather staggered
P - UHMW-PE / Glass filled PTFE staggered upper • UHMW-PE lower
R - Glass filled PTFE / UHMW-PE staggered upper • Glass filled PTFE lower

Material Inlet (female)	1 - 11-1/2 NPTF - 1
(male)	2 - 11-1/2 PTF SAE spec. short
Material Outlet (female)	1 - 11-1/2 NPTF - 1

MATERIALS OF CONSTRUCTION

Outlet Body	CF-8M Stainless Steel
Cylinder (650943-XX3-B)	316 SS, Hard Chrome
(650943-XXB-B)	316 SS, Ceramic coated
Plunger (650943-XX3-B)	17-4 SS, Hard Chrome
(650943-XXB-B)	17-4 SS, Ceramic coated
Upper Ball (650943-X4X-B)	316 Stainless Steel
(650943-X7X-B)	440 Stainless Steel
Upper Seat	Tungsten Carbide
Lower Ball (650943-X4X-B)	316 Stainless Steel
(650943-X7X-B)	440 Stainless Steel
Lower Seat	Tungsten Carbide
Inlet Body	CF-8M Stainless Steel
Weight	41.3 lbs (18.7 kgs)

PERFORMANCE

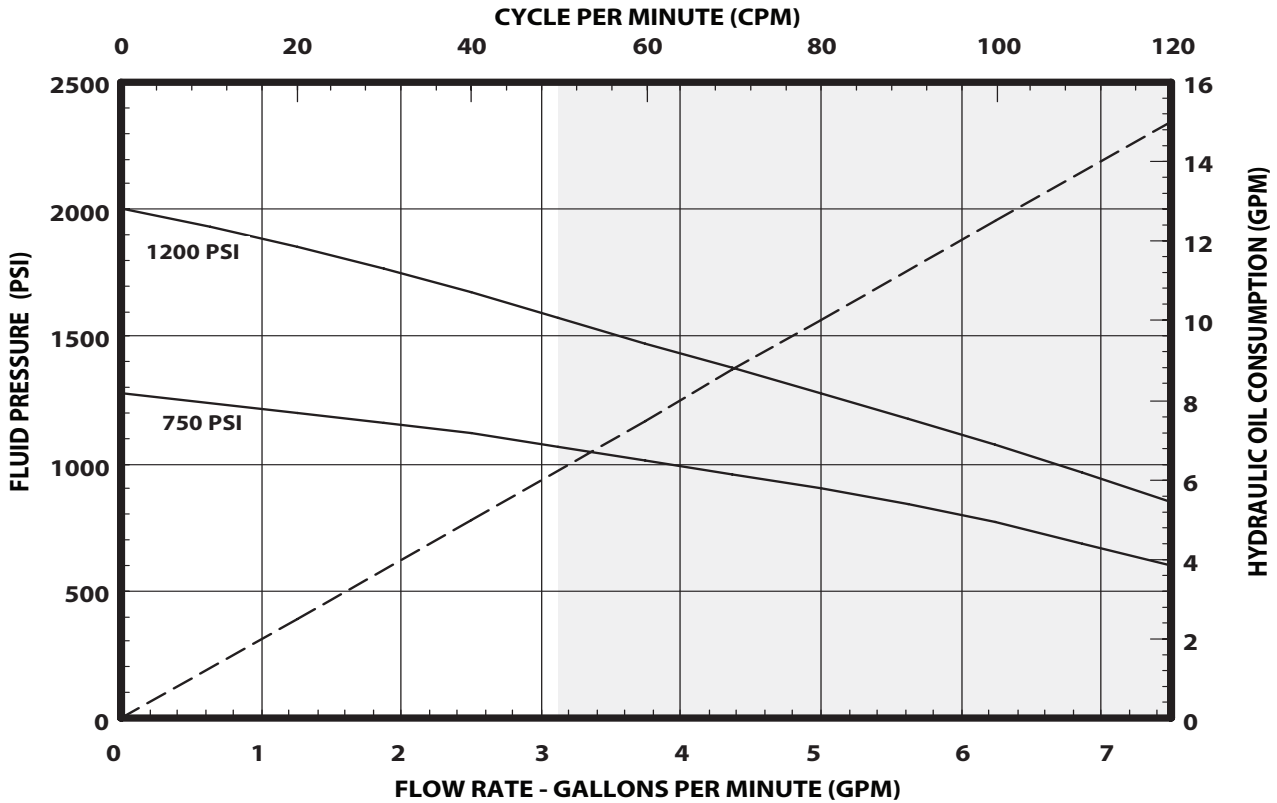
Hydraulic Inlet Pressure Range	50 - 1200 psig (3.4 - 82.8 bar)
Fluid Pressure Range	85 - 2040 psig (5.9 - 140.7 bar)
Required H-power @ 50 cpm	3.2 @ 1200 psig (82.8 bar)
Hydraulic flow required @ 50 cpm	4.9 gpm (18.5 lpm)
Maximum Rec'd Cycles / Minute	50
Displacement Per Cycle	14.5 In ³ (238 cc)
Cycles Per Gallon	15.9
Flow @ 50 Cycles / Minute	3.1 gpm (11.9 lpm)
Noise Level	N / A
Maximum Temperature Limit	130° F (54° C)

ACCESSORIES:

67069 Wall Mount Bracket

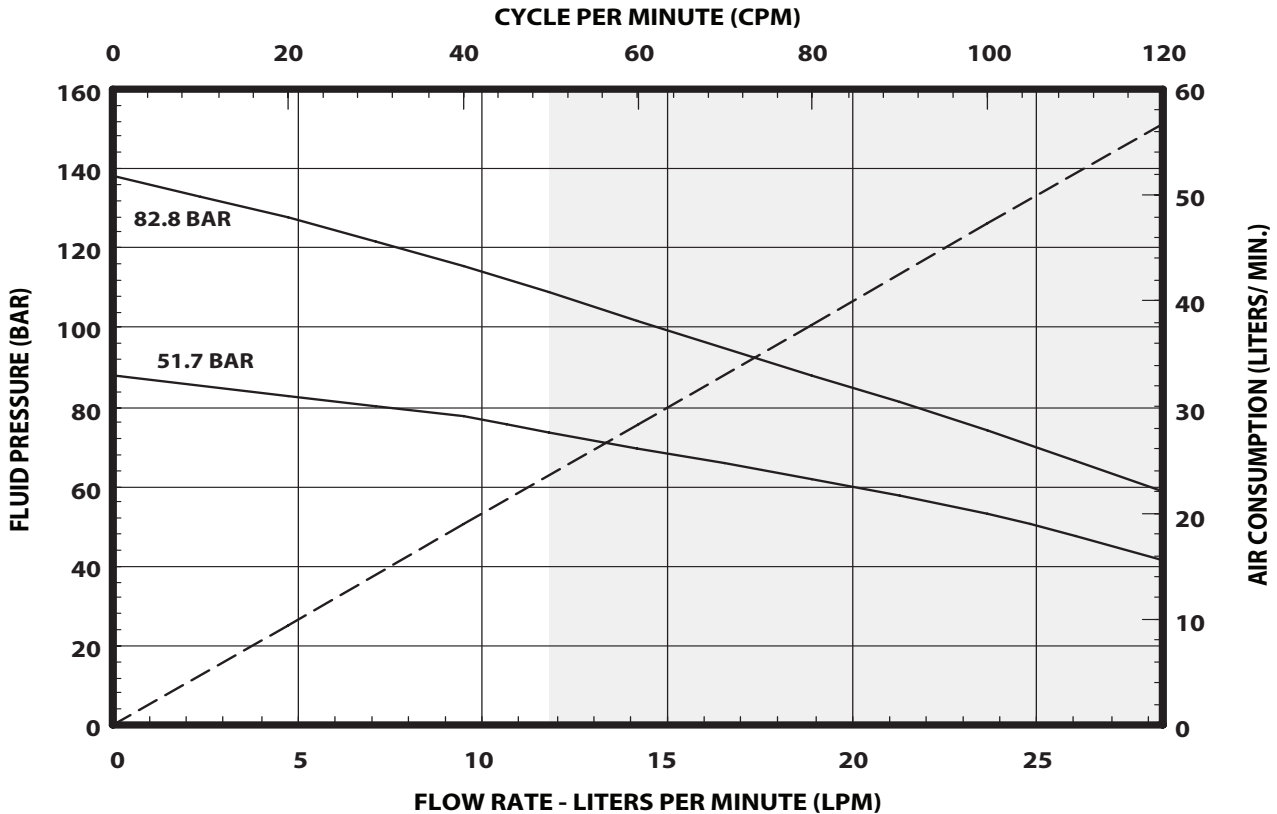
PERFORMANCE CURVES

PERFORMANCE BASED ON 30wt. OIL (100cSt) AT 40°C TEMPERATURE



NOTE: NON SHADED AREA OF THE GRAPH REPRESENTS RECOMMENDED OPERATING RANGE

PERFORMANCE BASED ON 30wt. OIL (100cSt) AT 40°C TEMPERATURE



NOTE: NON SHADED AREA OF THE GRAPH REPRESENTS RECOMMENDED OPERATING RANGE