

SALES AND ENGINEERING DATA

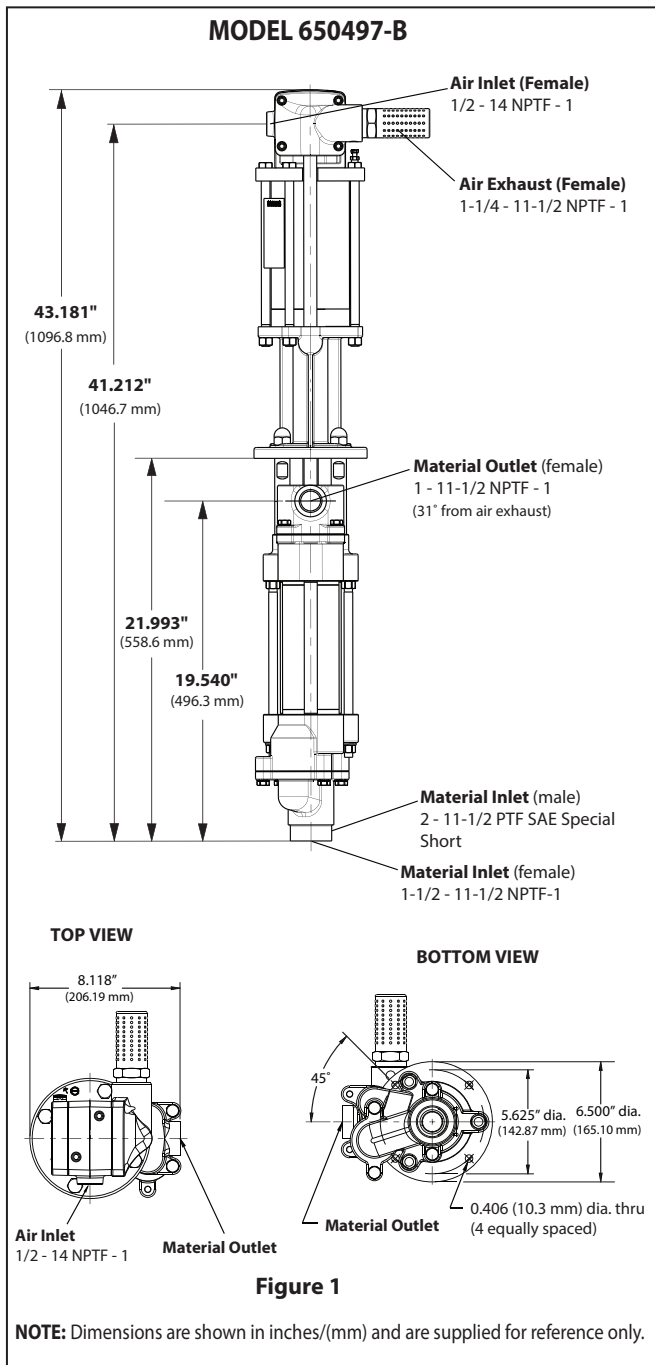
RATIO SERIES: **2:1**

FLUID PSI RANGE: **60 - 312**

RELEASED: 10-5-05
 REVISED: 3-31-17
 (REV: D) S-1379

650497-B FOUR-BALL PUMP

DIMENSIONAL DATA



SPECIFICATIONS

Model	650497-B
Pump Type	Air Operated, Four-Ball
Ratio	2:1
Air Motor	AF0460-XX
Motor Repair Kit	637489
Motor Diameter	4-1/4" (10.8 cm)
Stroke	6" (15.2 cm)
Air Inlet (female)	1/2 - 14 NPTF - 1
Air Exhaust (female)	1-1/4 - 11-1/2 NPTF - 1
Lower Pump End	67368
Lower Pump Repair Kit	637424
Material Inlet (female)	1-1/2 - 11-1/2 NPTF - 1
(male)	2 - 11-1/2 PTF SAE Spec. Short
Material Outlet (female)	1 - 11-1/2 NPTF - 1

MATERIALS OF CONSTRUCTION

Outlet Body	CF8M Stainless Steel
Cylinder	304 Stainless Steel Ceramic Coated
Plunger	17-4 Stainless Steel Hard Chrome
Upper Ball	316 Stainless Steel
Upper Seat	17-4 Stainless Steel
Lower Ball	316 Stainless Steel
Lower Seat	17-4 Stainless Steel
Inlet Body	CF8M Stainless Steel
Weight	68 lbs (30.8 kgs)

PUMP PERFORMANCE

Air Inlet Pressure Range	30 - 150 psi (2.1 - 10.3 bar)
Fluid Pressure Range	60 - 312 psi (4.1 - 21.5 bar)
Maximum Rec'd Cycles / Minute	60
Displacement In. ³ Per Cycle	82.1
Volume / Cycle	45.5 oz. (1344 ml)
Cycles Per Gallon	2.8
Flow @ 60 Cycles / Minute	21.3 gpm (80.6 lpm)
Noise Level @ 60 psi - 40 cpm	86.5 db(A) ①

① The pump sound pressure level has been updated to an Equivalent Continuous Sound Level (LAeq) to meet the intent of ANSI S1.13-1971, CAGI-PNEUROP S5.1 using four microphone locations.

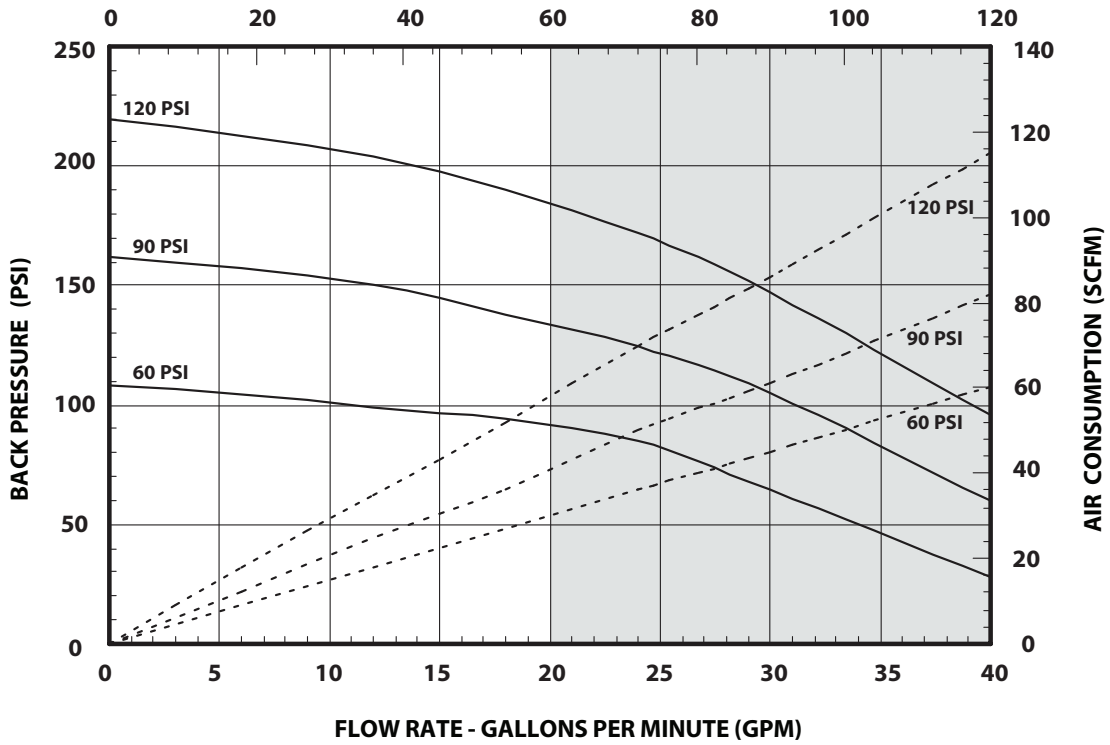
ACCESSORIES:

- 66101 Wall Mount Bracket
- 67187-1 Mounting Post
- 91790 Silencer

PERFORMANCE CURVES

PERFORMANCE BASED ON 30wt. OIL (100cSt) AT 40°C TEMPERATURE

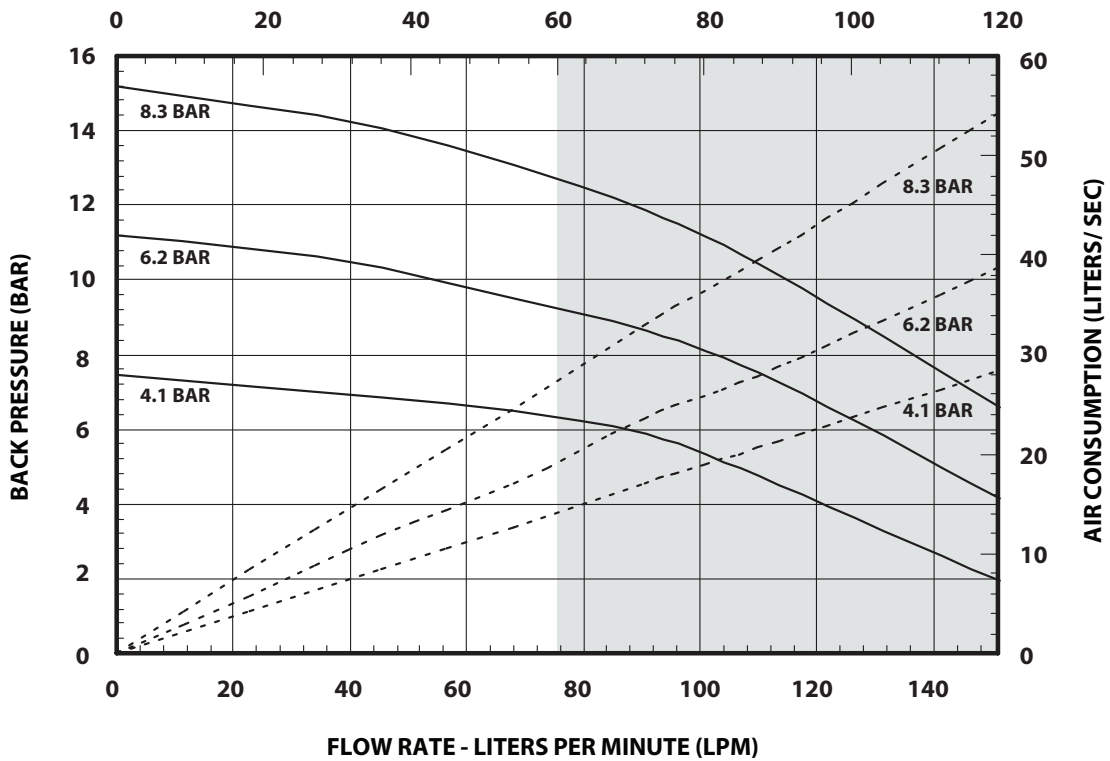
CYCLE PER MINUTE (CPM)



NOTE: NON SHADED AREA OF THE GRAPH REPRESENTS RECOMMENDED OPERATING RANGE

PERFORMANCE BASED ON 30wt. OIL (100cSt) AT 40°C TEMPERATURE

CYCLE PER MINUTE (CPM)



NOTE: NON SHADED AREA OF THE GRAPH REPRESENTS RECOMMENDED OPERATING RANGE