

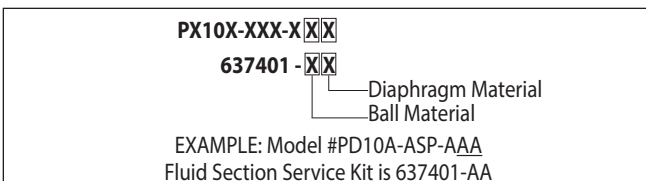
SALES AND ENGINEERING DATA

RATIO SERIES:	1:1
FLUID PSIG RANGE:	20 - 120
RELEASED:	4-13-04
REVISED:	6-17-22
(REV: M)	S-1305

PD10X-XXX-XXX, PE10X-XXX-XXX AND PZ10X-XXX-XXX 1" METALLIC DIAPHRAGM PUMP

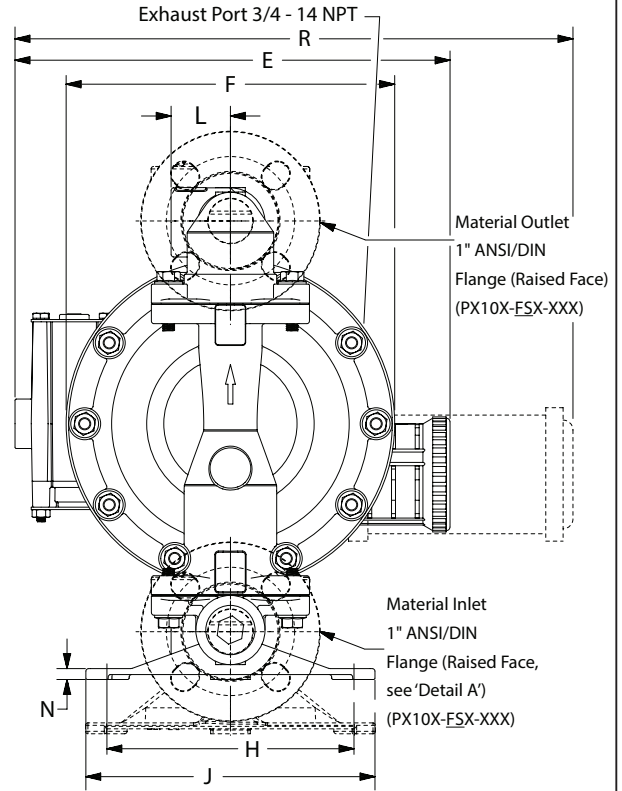
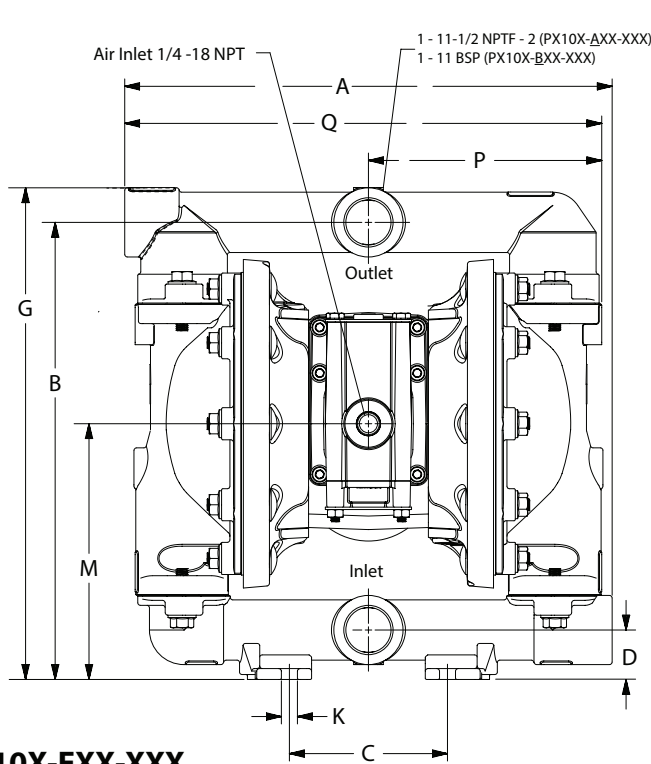
SPECIFICATIONS

<u>CONSTRUCTION</u>	<u>PERFORMANCE</u>
Model Series PD10X-XXX-XXX PE10X-XXX-XXX PZ10X-XXX-XXX	Maximum Air Inlet Pressure 120 psig (8.3 bar)
Pump Type Metallic, Air Operated, Double Diaphragm	Maximum Material Inlet Pressure ... 10 psig (0.69 bar)
Ratio 1:1	Maximum Outlet Pressure 120 psig (8.3 bar)
Material Inlet / Outlet	Maximum Flow Rate (flooded inlet) 52.2 gpm (197.6 lpm)
PX10X- <u>A</u> XX-XXX (female) 1 - 11-1/2 NPTF - 2	Displacement / Cycle @ 100 psig ... 0.232 gal. (0.88 lit.)
PX10X- <u>B</u> XX-XXX (female) Rp 1 (1 - 11 BSP Parallel)	Maximum Particle Size 1/8" dia. (3.3 mm)
PX10X- <u>F</u> XX-XXX 1" ANSI / DIN Flange (Raised Face)	Maximum Temperature Limits (diaphragm / ball / seat material)
Air Inlet (female) 1/4 - 18 NPT	E.P.R. / EPDM -60° to 280° F (-51° to 138° C)
Air Exhaust (female) 3/4 - 14 NPT	Hytrel® -20° to 180° F (-29° to 82° C)
Weight	Nitrile 10° to 180° F (-12° to 82° C)
PX10R- <u>X</u> AX-XXX 20.65 lbs (9.37 kgs)	Polypropylene 32° to 175° F (0° to 79° C)
PX10R- <u>X</u> CX-XXX 35.2 lbs (16.0 kgs)	Santoprene® -40° to 225° F (-40° to 107° C)
PX10R- <u>X</u> HX-XXX 39.6 lbs (18.0 kgs)	PTFE 40° to 225° F (4° to 107° C)
PX10R- <u>A</u> SX-XXX 38.2 lbs (17.3 kgs)	Viton® -40° to 350° F (-40° to 177° C)
PX10R- <u>B</u> SX-XXX 38.2 lbs (17.3 kgs)	Noise Level @ 70 psig - 60 cpm 80.6 dB(A) ^①
PX10R- <u>F</u> HX-XXX 45.4 lbs (20.6 kgs)	① The pump sound pressure level has been updated to an Equivalent Continuous Sound Level (LA _{eq}) to meet the intent of ANSI S1. 13-1971, CAGI-PNEUROP S5.1 using four microphone locations.
PX10R- <u>F</u> SX-XXX 43.9 lbs (19.9 kgs)	
Add 4.65 lbs (2.11 kg) for Aluminum air motor section	
Add 11.09 lbs (5.03 kg) for Stainless Steel air motor section	
Air Section Service Kit 637397	
Major Air Valve Assembly	
PX10 <u>A</u> -XXX-XXX 637395-3	
PX10 <u>R</u> -XXX-XXX 637395-1	
PX10 <u>S</u> -XXX-XXX 637395-5	
PE10 <u>A</u> -XXX-XXX 637395-4	
PE10 <u>R</u> -XXX-XXX 637395-2	
PE10 <u>S</u> -XXX-XXX 637395-6	
Fluid Section Service Kit 637401-XX	

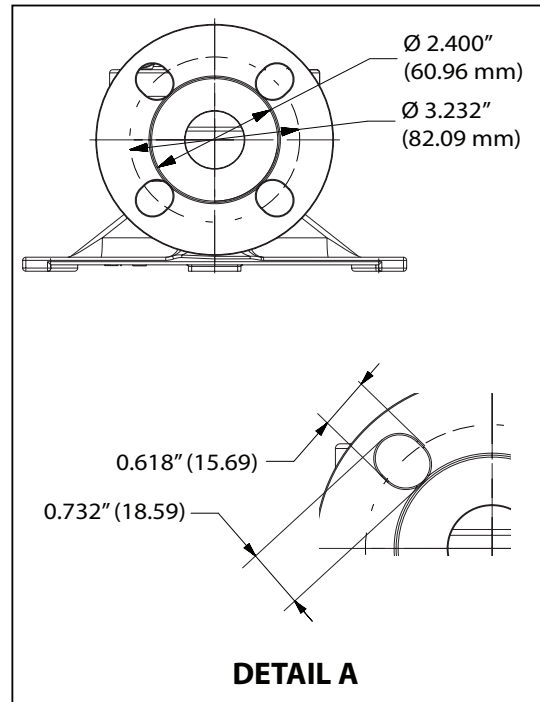
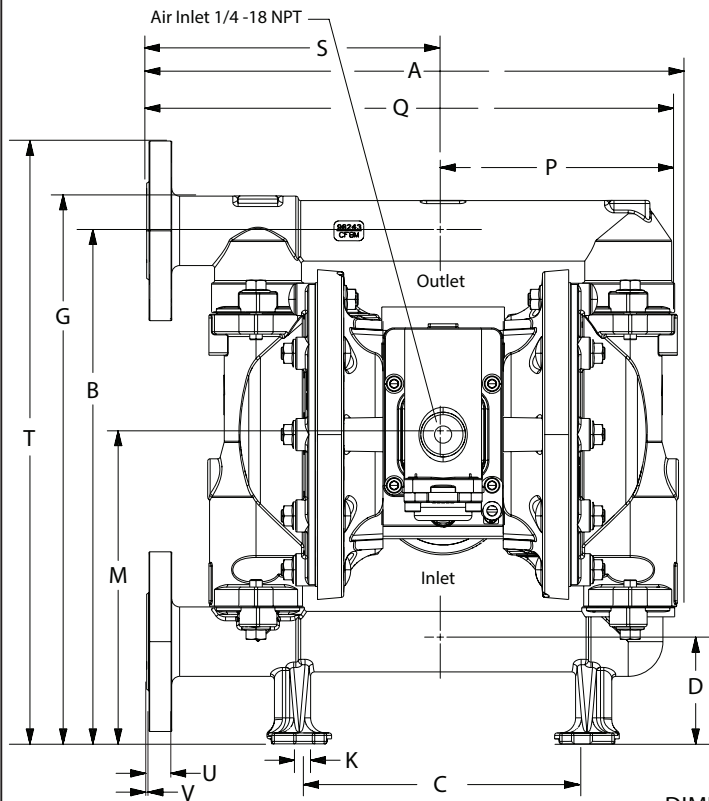


DIMENSIONAL DATA

(Dimensions shown are for reference only, they are displayed in inches and millimeters (mm)).



PX10X-FXX-XXX



DIMENSIONS

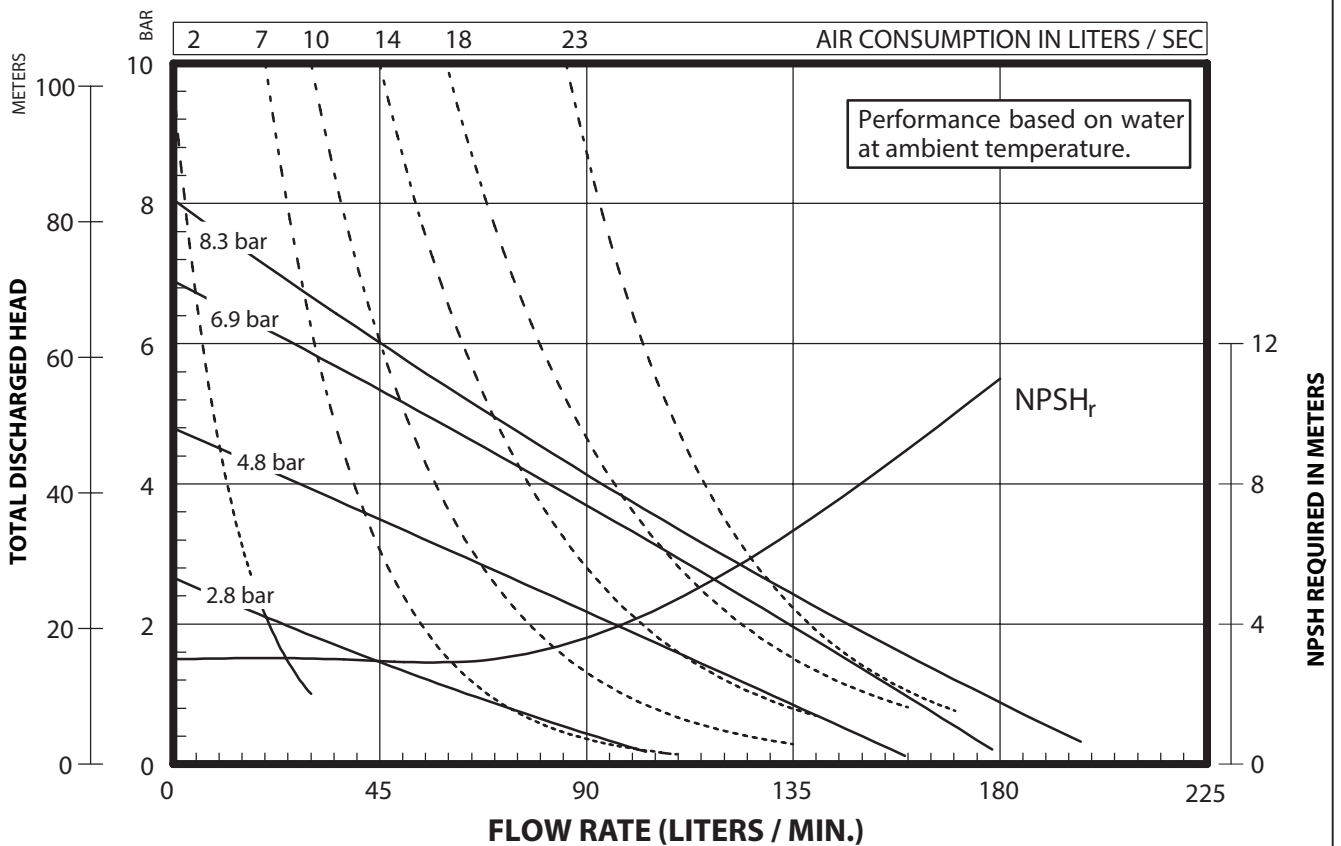
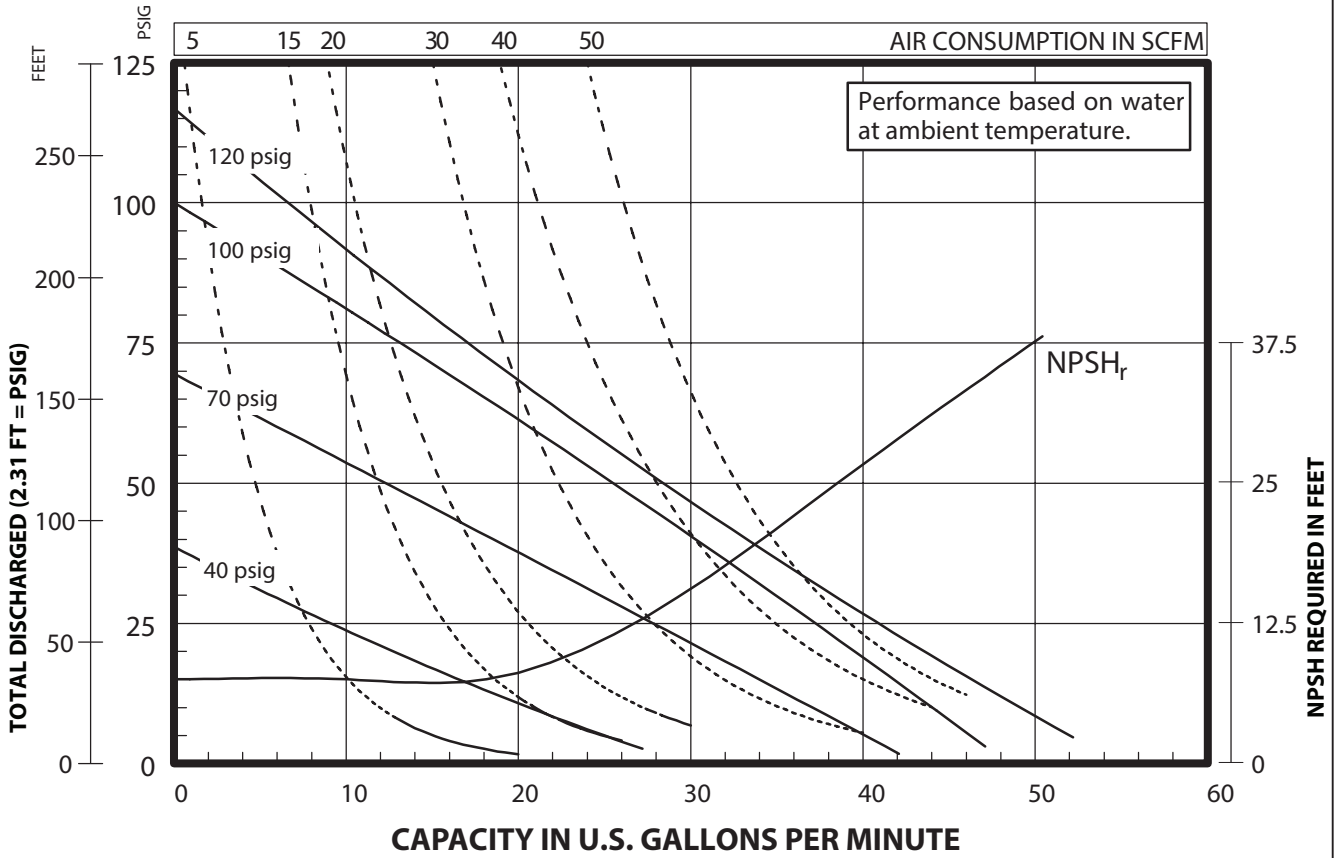
A - 12.34" (313.4 mm)	E - see below	J - 7.31" (185.6 mm)	N - see below
B - 11.56" (293.6 mm)	F - see below	K - 0.4" (10.1 mm)	P - 5.84" (148.3 mm)
C - 4" (101.6 mm)	G - 12.43" (315.7 mm)	L - 1.5" (38.1 mm)	Q - 12" (304.8 mm)
D - 1.25" (31.7 mm)	H - 6.25" (158.7 mm)	M - 6.46" (164.0 mm)	R - see below
	"E"	"F"	"N"
PX10A-XXX-XXX	-----	8.12" (206.2 mm)	"R"
PX10R-XXX-XXX	11.09" (281.6 mm)	8.31" (211.0 mm)	14.03" (356.3 mm)
PX10S-XXX-XXX	-----	8.18" (207.7 mm)	13.84" (351.5 mm)
			PX10X-XAX-XXX
			PX10X-XCX-XXX
			PX10X-XHX-XXX
			PX10X-XSX-XXX

PX10X-FXX-XXX

A - 13.37" (339.5 mm)	D - 2.57" (65.2 mm)	M - 7.79" (197.8 mm)	Q - 13.30" (337.8 mm)	T - 15.19" (385.8 mm)
B - 12.92" (328.1 mm)	G - 13.80" (350.5 mm)	N - 0.28" (7.1 mm)	R - 13.83" (351.2 mm)	U - 0.63" (16.0 mm)
C - 7" (177.8 mm)	K - 0.4" (10.1 mm)	P - 5.83" (148.0 mm)	S - 7.47" (187.9 mm)	V - 0.60" (15.2 mm)

PERFORMANCE CURVES

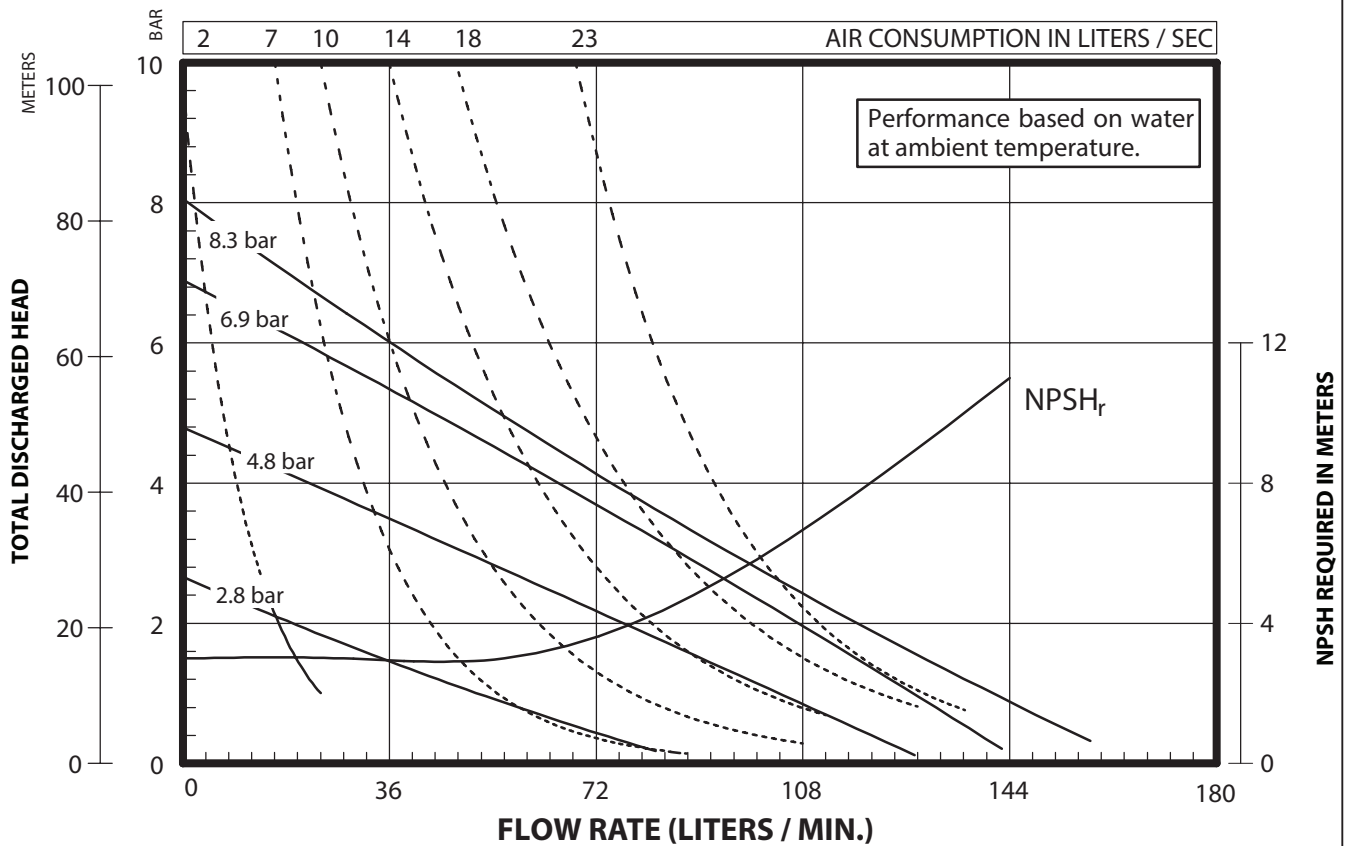
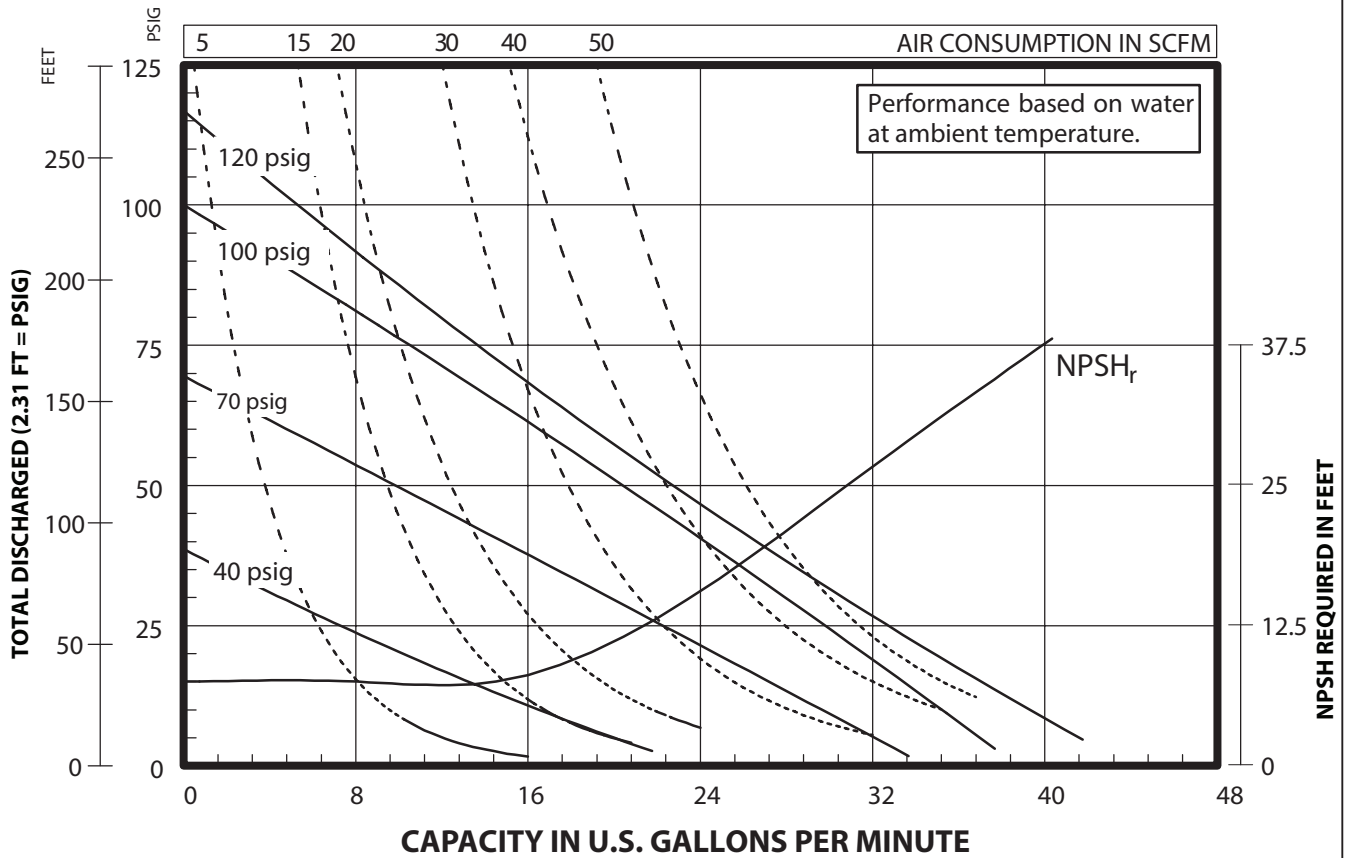
PX10X-XXX-XXX 1" METALLIC DIAPHRAGM PUMP



NOTE: Performance tested with 95845 Diaphragm Check Valve.

PERFORMANCE CURVES

PE10X-XXX-XXX-XXEX & PE10X-XXX-XXX-XXFX 1" METALLIC DIAPHRAGM PUMP



NOTE: Performance tested with 95845 Diaphragm Check Valve.