

SALES & ENGINEERING DATA

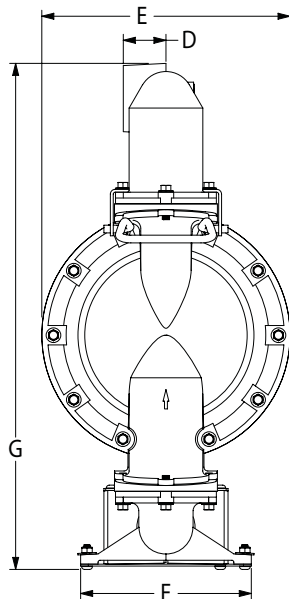
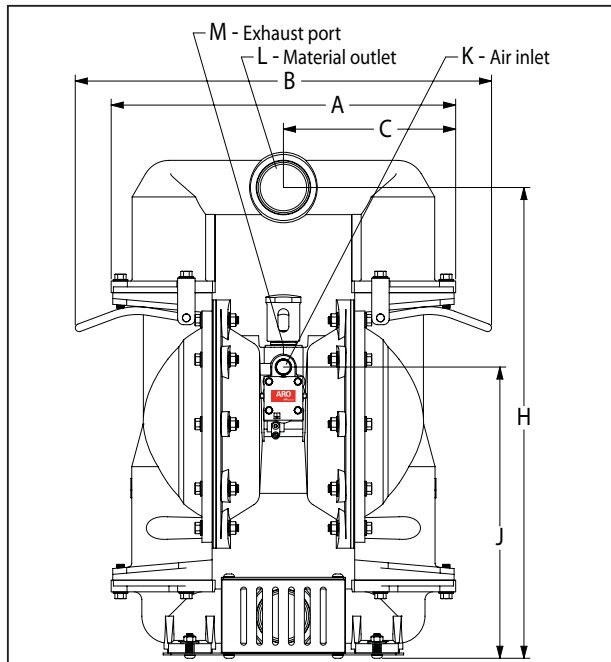
RATIO SERIES: **1:1**

FLUID P.S.I. RANGE: **10 - 120**

66M3X0-XXX-C 3" Metallic Diaphragm Pump

RELEASED: 12-6-08
REVISED: 6-7-10
(REV. 02) S-1446

DIMENSIONAL DATA



DIMENSIONS

A - 22-7/32" (563.9 mm)	E - 16" (406.4 mm)	J - 18-25/32" (476.8 mm)
B - 26-13/16" (680.3 mm)	F - 11" (279.4 mm)	K - 3/4 - 14 NPTF - 2
C - 11-1/8" (281.9 mm)	G - 32-5/8" (828.4 mm)	L - see below
D - 2-3/4" (69.9 mm)	H - 30-11/32" (770.7 mm)	M - 1-1/4 - 11-1/2 NPTF - 2

"L" Inlet / Outlet
66M300-XXX-C 3 - 8 NPTF - 2
66M320-XXX-C Rp 3 (3 - 11 BSP, parallel)

NOTE: Dimensions are shown in inches and (mm) and are supplied for reference only.

SPECIFICATIONS

Model Series	66M3X0-XXX-C
Pump Type	Metallic, air operated, double diaphragm pump
Ratio	1:1
Material Inlet / Outlet (female)	
66M300-XXX-C	3 - 8 NPTF - 2
66M320-XXX-C	Rp 3 (3 - 11 BSP parallel)
Air Inlet (female)	3/4 - 14 NPTF - 2
Air Exhaust (female)	1-1/4 - 11-1/2 NPTF - 2
Weight	118.32 lbs (53.67 kgs)
Air Section Service Kit	637434
Fluid Section Service Kit	637467-XX

66M3X0 - X X X - C

637467 - X X X

Diaphragm Material
Ball Material

EXAMPLE: Model #66M300-1EB-C
Fluid Section Service Kit # 637467-EB

PERFORMANCE

Air Inlet Pressure Range	10 - 120 p.s.i.g. (0 - 8.3 bar)
Maximum Material Inlet Pressure	10 p.s.i.g. (0.69 bar)
Fluid Pressure Range	10 - 120 p.s.i.g. (0 - 8.3 bar)
Maximum Flow Rate (flooded inlet)	217 g.p.m. (821.3 l.p.m.)
Displacement / Cycle @ 100 p.s.i.	2.08 gal. (7.9 lit.)
Maximum Particle Size	1" (25.4 mm)
Maximum Temperature Limits (diaphragm / ball / seal / seat material)	
E.P.R. / EPDM	-60° to 280° F (-51° to 138° C)
Hytrel®	-20° to 150° F (-29° to 66° C)
Nitrile	10° to 180° F (-12° to 82° C)
Santoprene®	-40° to 225° F (-40° to 107° C)
PTFE	40° to 225° F (4° to 107° C)
Viton®	-40° to 350° F (-40° to 177° C)
Noise Level @ 70 p.s.i. - 60 c.p.m. ①	86.3 db(A)②
Noise Level @ 70 p.s.i. - 60 c.p.m. ③	108.7 db(A)②

① Tested with 94810 muffler assembly installed.

② The pump sound pressure level has been updated to an Equivalent Continuous Sound Level (LAeq) to meet the intent of ANSI S1.13-1971, CAGI-PNEUROP S5.1 using four microphone locations.

③ Tested with 97116 housing and 97110-2 ball installed.

INGERSOLL RAND COMPANY LTD

209 NORTH MAIN STREET - BRYAN, OHIO 43506

☎ (800) 495-0276 • FAX (800) 892-6276

www.ingersollrandproducts.com

© 2010

CCN 15325418

ARO

IR Ingersoll Rand
Industrial Technologies

PERFORMANCE CURVES

66M3X0-XXX-C 3", METALLIC DIAPHRAGM PUMP

