

SALES AND ENGINEERING DATA

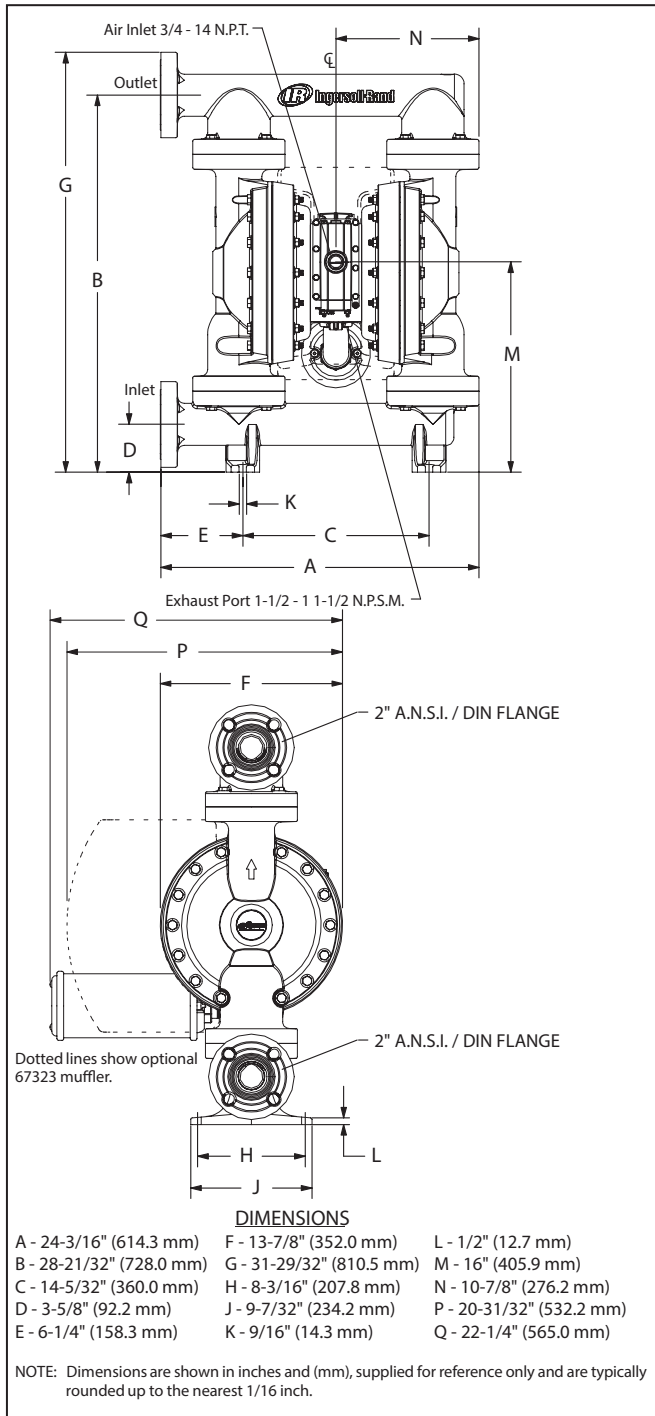
RATIO SERIES:	1:1
FLUID PSI RANGE:	20 - 120

PX20E-FES-XXX-AXXX PX20E-FNS-XXX-AXXX

RELEASED: 6-16-05
REVISED: 5-25-19
(REV: F) S-1373

2" CONDUCTIVE NON-METALLIC DIAPHRAGM PUMP

DIMENSIONAL DATA



SPECIFICATIONS

Model Series	PX20E-FXS-XXX
Pump Type	Non-Metallic, Air Operated, Double Diaphragm
Ratio	1:1
Material Inlet / Outlet	2" ANSI / DIN Flange
Air Inlet (female)	3/4 - 14 NPT
Air Exhaust (female)	1-1/2 - 11-1/2 N.P.S.M.
Weight	
PX20E-FES-PXX	85.3 lbs (38.7 kgs)
PX20E-FNS-KXX	110.9 lbs (50.3 kgs)
Air Section Service Kit	637369
Major Air Valve Assembly	637374-X
Fluid Section Service Kit	637373-XX
Joint Sealant Kit	
PX20E-FNS-KTI / PX20E-FNS-KTL	637545

PX20E - FXS - X ~~XX~~
637393 - ~~XX~~

Diaphragm
Ball

Example: Model # PD20E-FES-PAA
Fluid Section Service Kit is 637373-AA

PUMP PERFORMANCE

Maximum Air Inlet Pressure	120 psig (8.3 bar)
Maximum Material Inlet Pressure	10 psig (0.69 bar)
Maximum Outlet Pressure	120 psig (8.3 bar)
Maximum Flow Rate (flooded inlet)	184 gpm (696 lpm)
Displacement / Cycle @ 100 psig	1.4 gal (5.3 lit)
Maximum Particle Size	1/4" dia (6.4 mm)
Maximum Temperature Limits (diaphragm / ball / seal / seat material)	
E.P.R. / EPDM	-60° to 280°F (-51° to 138°C)
Hytrel®	-20° to 180°F (-29° to 82°C)
Nitrile	10° to 180°F (-12° to 82°C)
Polypropylene	32° to 175°F (0° to 79°C)
PVDF (Kynar®)	10° to 200°F (-12° to 93°C)
Santoprene®	-40° to 225°F (-40° to 107°C)
PTFE	40° to 225°F (4° to 107°C)
Viton®	-40° to 350°F (-40° to 177°C)
Noise Level @ 70 psig, 60 cpm	85.0 dB(A) ^①

① The pump sound pressure level has been updated to an Equivalent Continuous Sound Level (LA_{eq}) to meet the intent of ANSI S1.13-1971, CAGI-PNEUROPS 5.1 using four microphone locations.

PERFORMANCE CURVES

PX20E-FXS-XXX 2" CONDUCTIVE NON-METALLIC DIAPHRAGM PUMP

